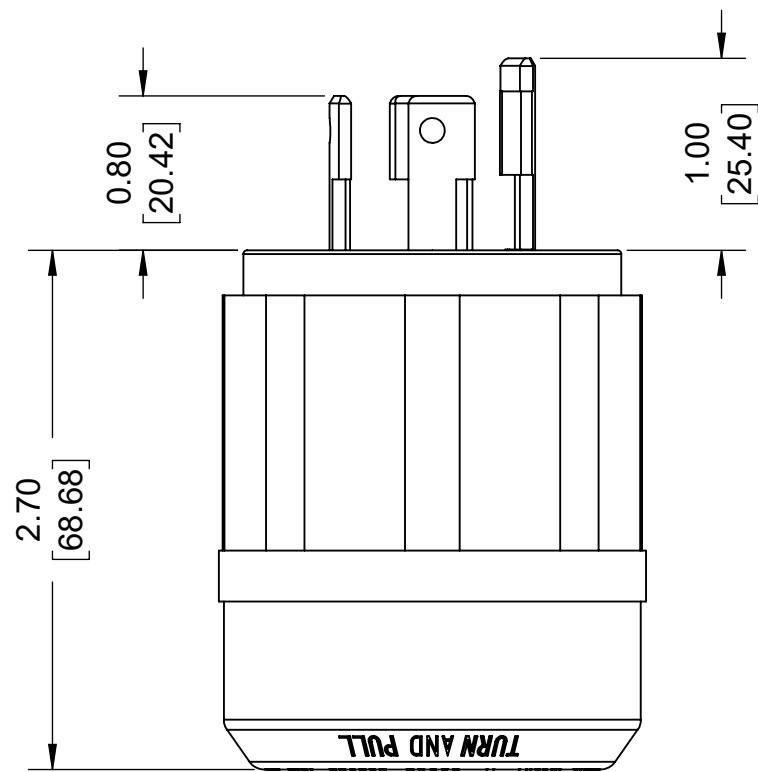
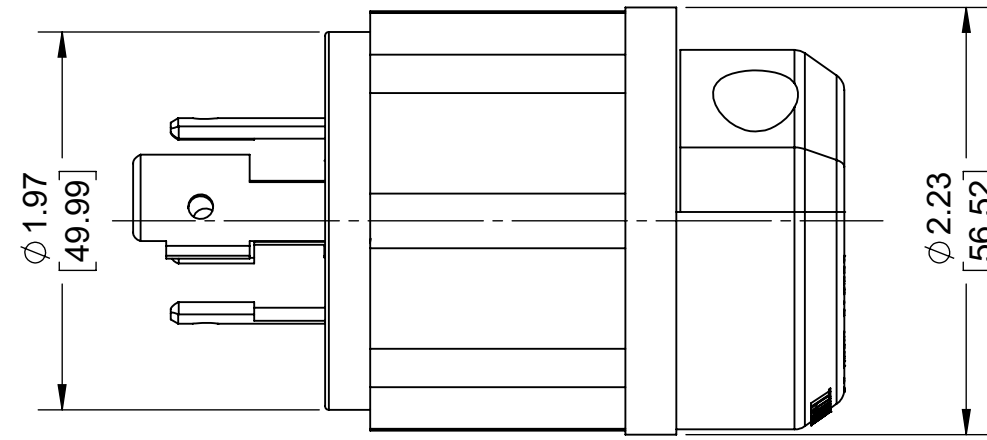
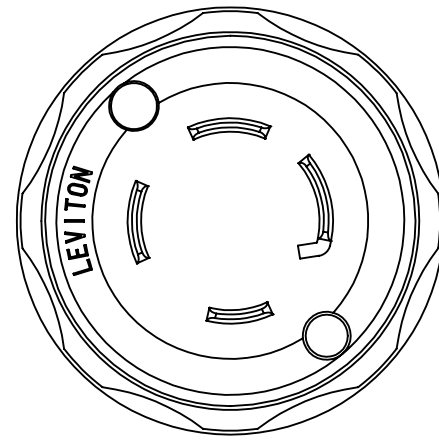


4

3

2

1



### CATALOG # 2771

30A 347/600 VOLT 3 PHASE PLUG  
 NEMA L20-30P, 4 POLE, 4 WIRE, NON-GROUNDING

UNLESS OTHERWISE SPECIFIED:  
 DO NOT SCALE DRAWING.  
 ALL DIMENSIONS ARE IN INCHES.  
 ALL ANGLES ARE IN DEGREES.

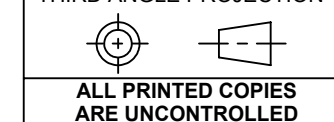


TOLERANCES	
INCH	METRIC
.XX ± .01	.X ± .2 mm
.XXX ± .005	.XX ± .1 mm

TITLE:  
**LKG PLUG, NEMA L20-30P  
 CATALOG DRAWING**

ANGLES: ± 1/2°  
 THIRD ANGLE PROJECTION

DWG NO.  
**CATSTD-02771-000-D01**



SIZE <b>B</b>	SCALE: 1:1	SHEET 1 OF 1	REV <b>1</b>
Copyright 2019. Unpublished. All Rights Reserved.			

4

3

2

1

B

B

A

A