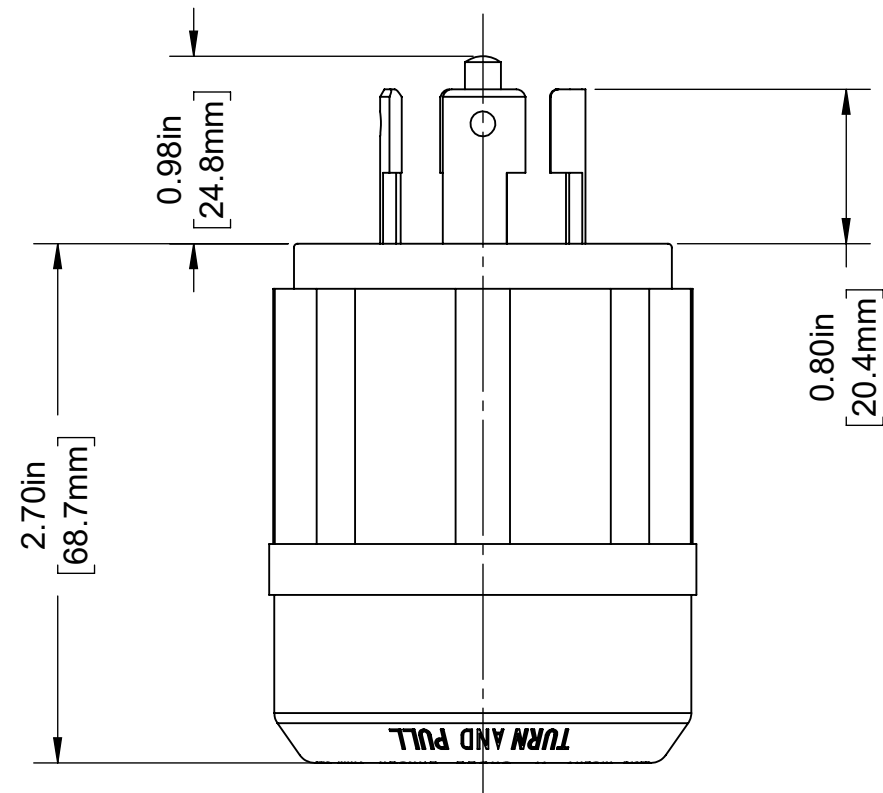
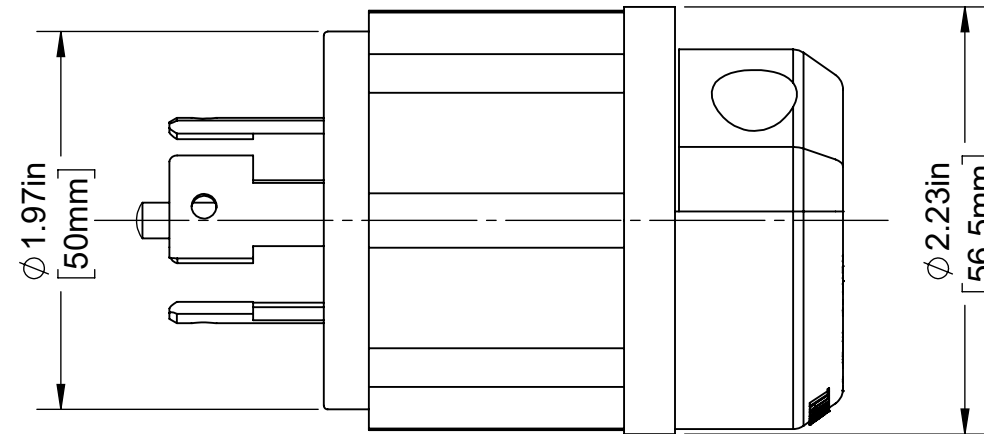
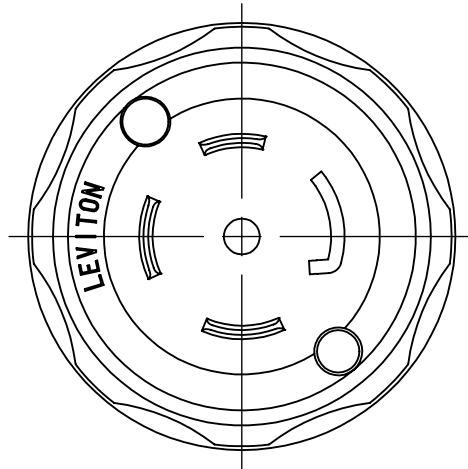


4

3

2

1



### CATALOG # 2821

30A, 277/480 VOLT 3-PHASE Y,  
 NEMA L22-30P, 4 POLE, 5 WIRE,  
 LOCKING PLUG, GROUNDING

UNLESS OTHERWISE SPECIFIED:  
 DO NOT SCALE DRAWING.  
 ALL DIMENSIONS ARE IN INCHES.  
 ALL ANGLES ARE IN DEGREES.

TOLERANCES	
INCH	METRIC
.XX ± .01	.X ± .2 mm
.XXX ± .005	.XX ± .1 mm

ANGLES: ± 1/2°  
 THIRD ANGLE PROJECTION



ALL PRINTED COPIES  
 ARE UNCONTROLLED



TITLE:  
**2821 30A PLUG L22-30  
 CATALOG DRAWING**

DWG NO.  
**CATSTD-02821-000-D01**

SIZE <b>B</b>	SCALE: 1:1	SHEET 1 OF 1	REV <b>1</b>
------------------	------------	--------------	-----------------

Copyright 2019. Unpublished. All Rights Reserved.

4

3

2

1

B

B

A

A