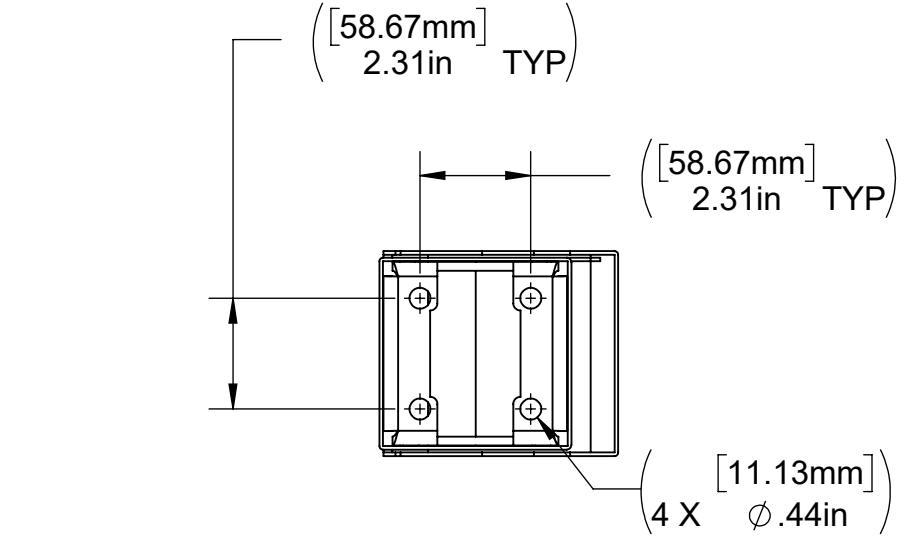
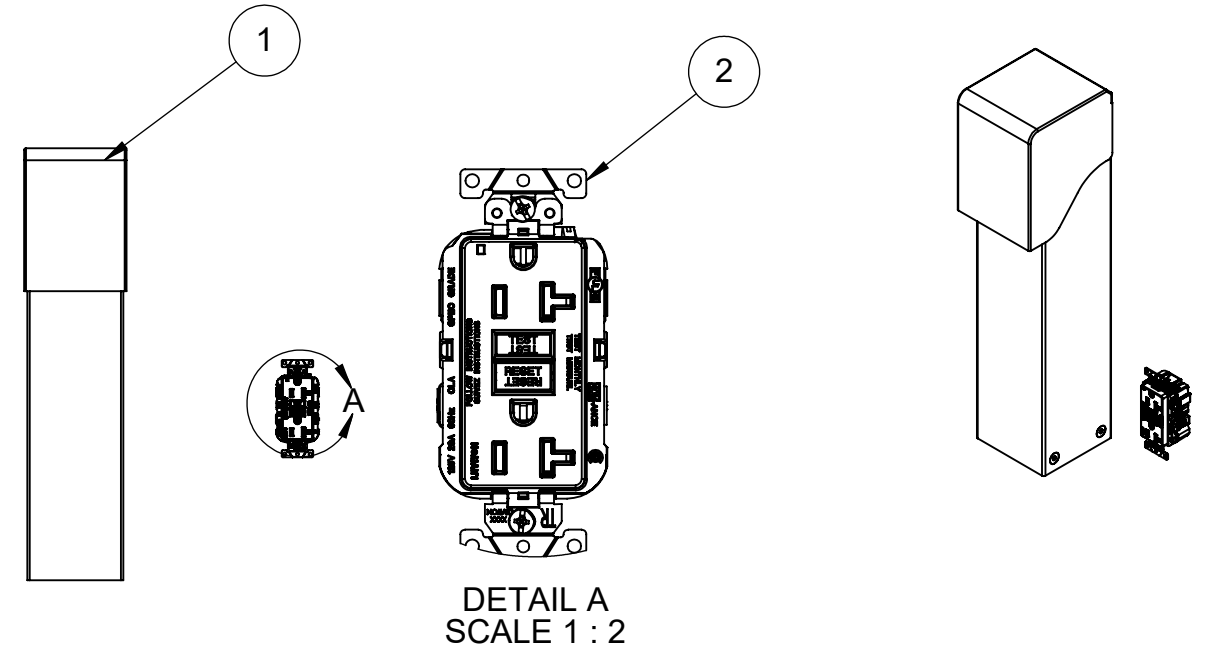
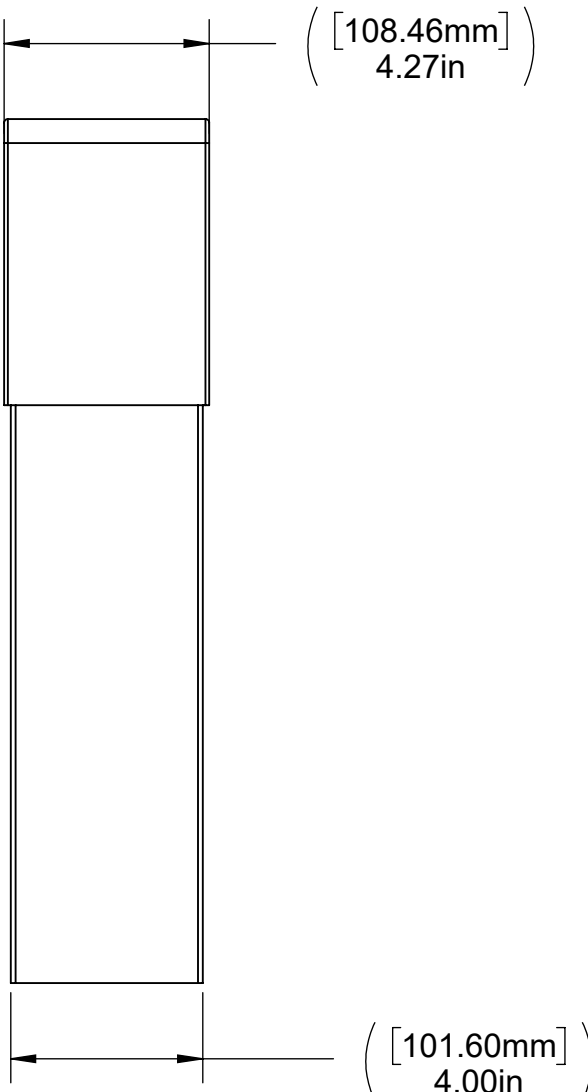
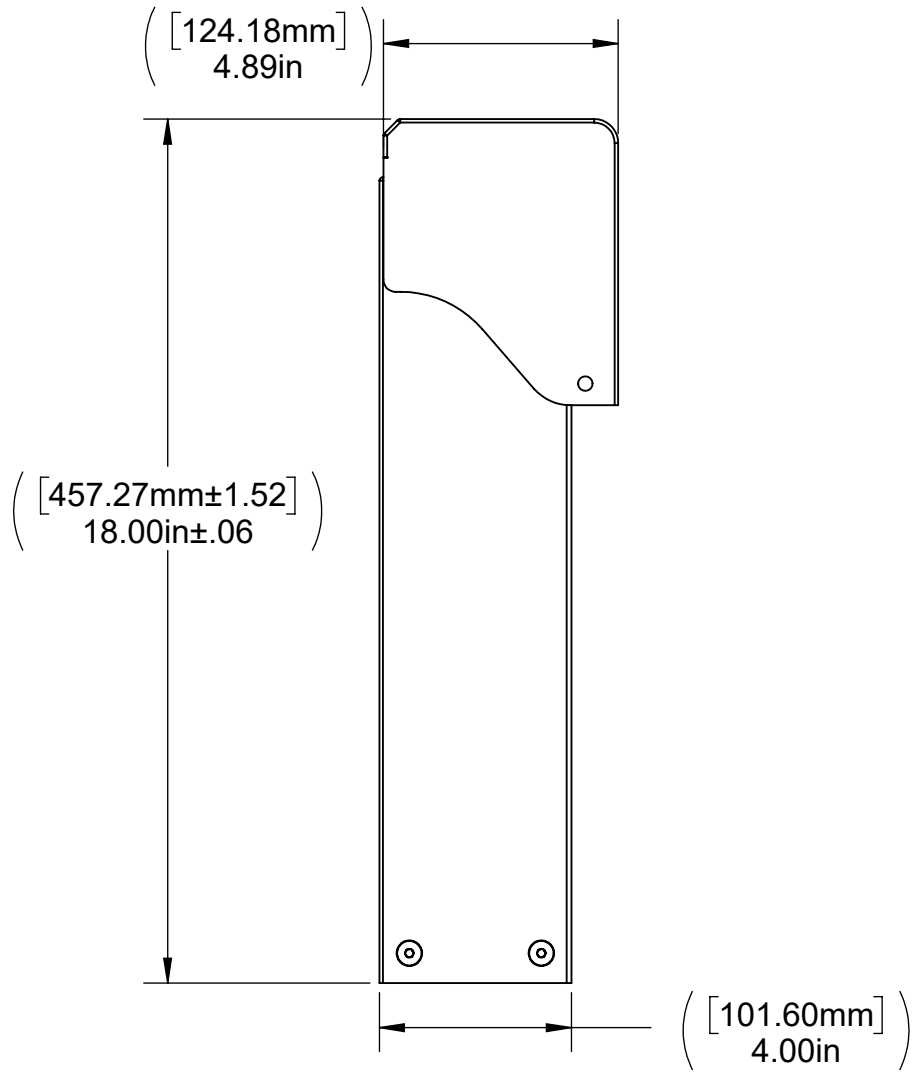


4

3

2

1



ITEM NUMBER	DESCRIPTION	QUANTITY
1	PEDESTAL 18" 1 GANG FLUSH, NO BASE	1
2	COMMERCIAL GRADE WEATHER RESISTANT GFCI RECEPTACLE	1

STATUS: Production Release				
REV.	DATE	ECO NUMBER	CHGD	APVD
A	02/07/2023	NEW RELEASE	JC	VB
-	-	-	-	-
-	-	-	-	-
-	-	-	-	-

LEVITON
 The information in this document is the exclusive **PROPRIETARY** property of **LEVITON MFG. CO., INC.** It is disclosed with the understanding that acceptance or review by the recipient constitutes an undertaking by the recipient:
 (1) to hold this information in strict confidence.
 (2) not to disclose, duplicate, copy, or use the information, in whole or in part, for any purpose other than that for which disclosed.
 Copyright 2016. Unpublished. All Rights Reserved.

UNLESS OTHERWISE SPECIFIED:
 DO NOT SCALE DRAWING.
 ALL DIMENSIONS ARE IN INCHES.
 ALL ANGLES ARE IN DEGREES.

TOLERANCES	
INCH	METRIC
.XX ± .030	.X ± .8 mm
.XXX ± .015	.XX ± .4 mm

ANGLES: ± 1/2°
 THIRD ANGLE PROJECTION

ALL PRINTED COPIES ARE UNCONTROLLED

TITLE:
PEDESTAL ASSY 18", 1 GANG FLUSH, HINGED, NO BASE

DWN BY	JC	01/26/2023	ENGRG	VB	02/28/2023
CHK BY	VB	02/28/2023	MFG	VB	02/28/2023

DWG NO.
ORC2751-D02

SIZE	PROJECT NO. PROJ-03626	REV
B	SCALE:1:8	A
	SHEET 1 OF 1	

4

3

2

1