

Single- and Dual-Mount Back-to-Back Pedestal

Installation Manual

Cat. Nos. EPED1, EPED2

For use with Cat. Nos. EV320, EV32W, EV480, EV48W, EV48S, EV48G,
EV800, EV80W, EV80S, AND EV80G

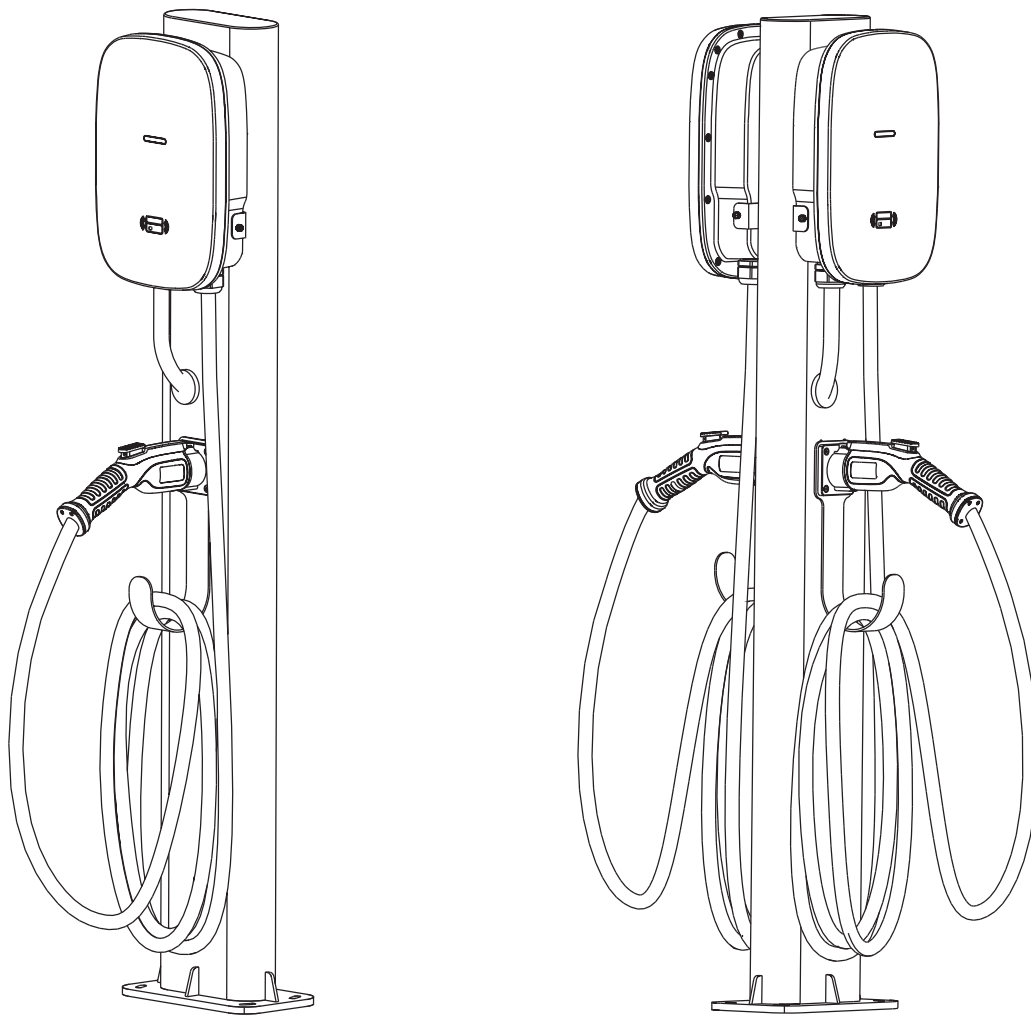


TABLE OF CONTENTS

1	WARNINGS	4
2	INSTALLATION	5
	2.1 Making Drill Holes.....	5
	2.2 Thread in Cable	6
	2.3 Anchoring	6
	2.4 Bracket Installation	7
	2.5 Connector Base and Hook Installation.....	8
	2.6 Mounting and Connecting the Charging Station	9
3	STANDARD STATEMENTS AND WARRANTY	10

1 WARNINGS

Safety Instructions

Failure to follow the safety instructions can result in risk of death, injuries and damage to the device. The seller assumes no liability for claims resulting from this.

Electrical hazard!

- The installation, commissioning and maintenance of the charging station may only be performed by correctly trained, qualified and authorized electricians who are fully responsible for the compliance with existing standards and installation regulations. Observe the instructions given for selecting the location and the constructional requirements.
- If the specifications for the location are not observed, this can result in death, serious physical injury or equipment damage if the corresponding precautionary measures are not met.
- The back-to-back pedestal must always be fitted with two charging stations.

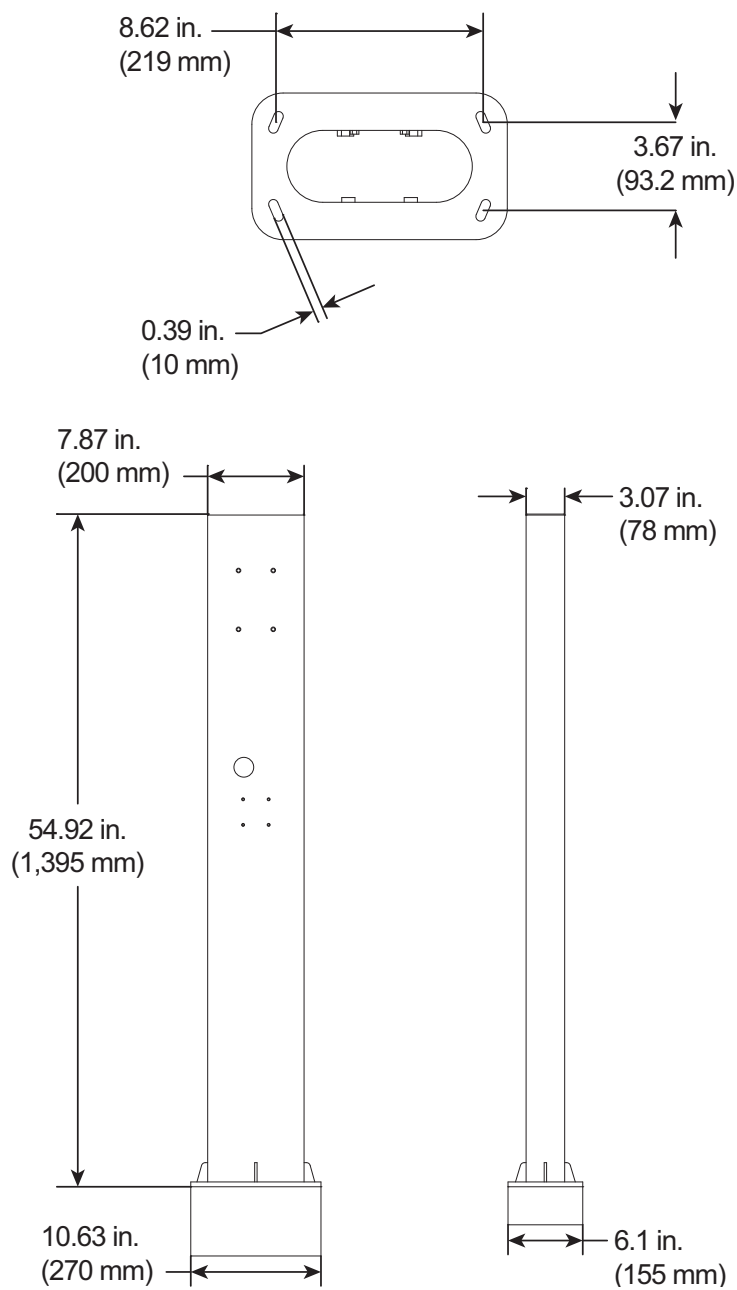
Use of this manual

This installation manual is intended for qualified personnel only. You must adhere to the information information and instructions in the manual about selecting the location, installation, and connection of the charging station.

2 INSTALLATION

2.1 Making Drill Holes

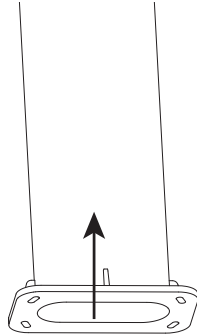
1. Mark four (4) holes on the concrete foundation using the base-plate of the pedestal. Make sure that the connection cable is located precisely underneath the opening in the base-plate.
2. Drill four (4) mounting holes:
Diameter: 0.39 in. (10 mm.)
Drill-hole minimum depth: 3.31 in. (84 mm.)
3. Hammer the anchors (not included) so that they are flush with the floor.



2 INSTALLATION

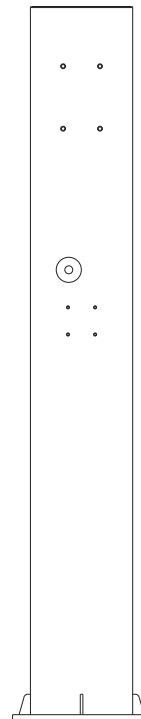
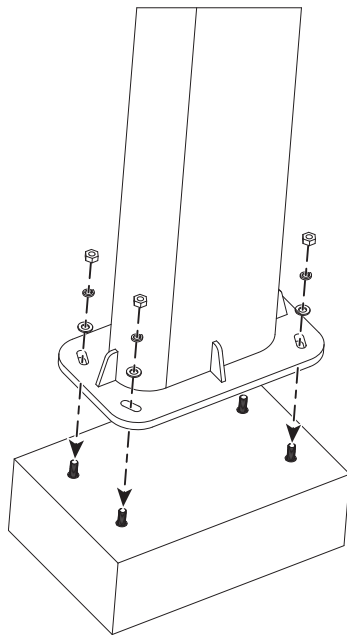
2.2 Thread in Cable

1. Thread the connection cables from the bottom through the pedestal upwards through the cable opening.



2.3 Anchoring

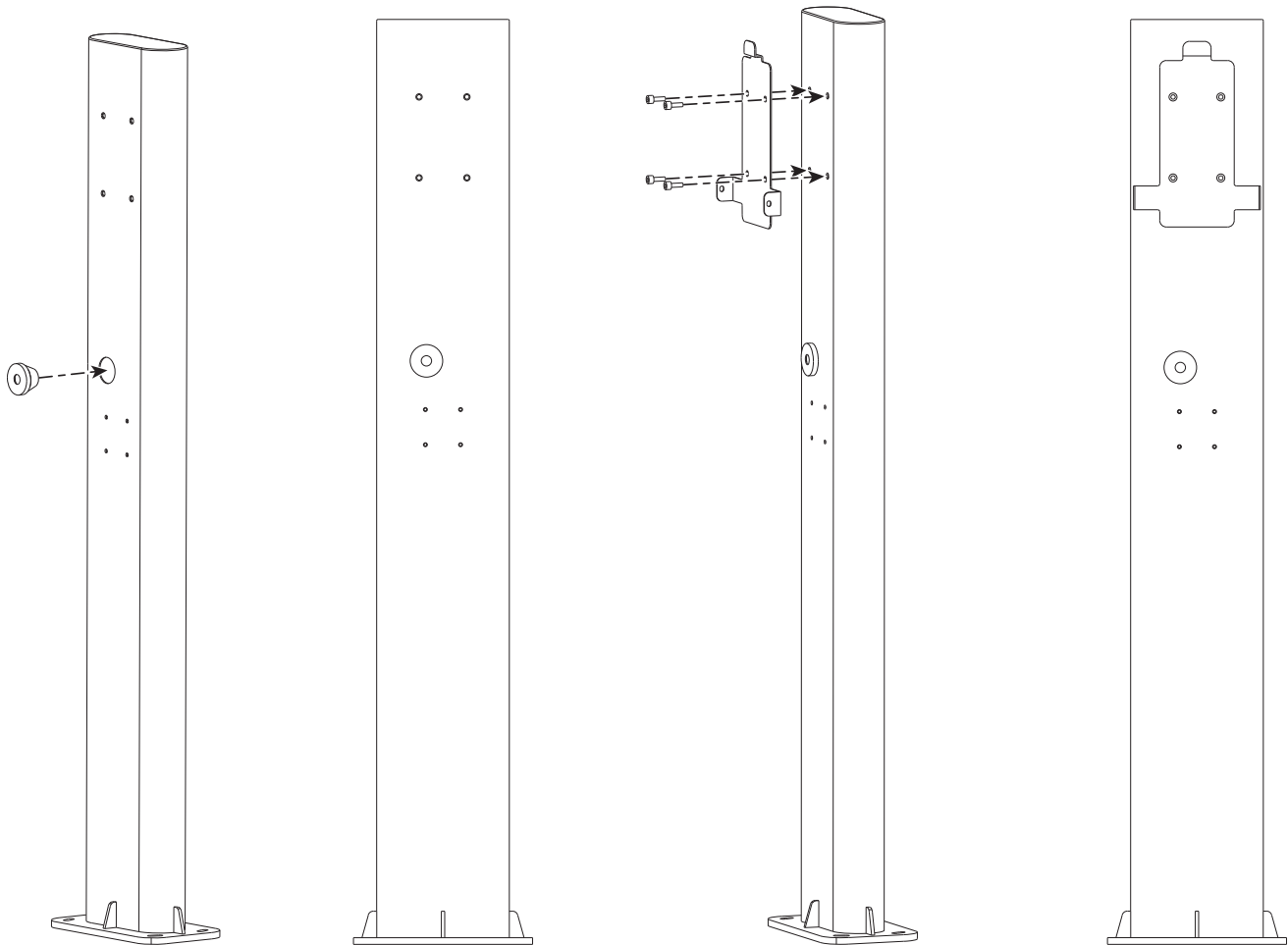
1. Position the pedestal directly over the cable outlet.
2. Anchor the pedestal to the foundation using four (4) sets of M8 nut, M8 flat washer, M8 spring washer.



2 INSTALLATION

2.4 Bracket Installation

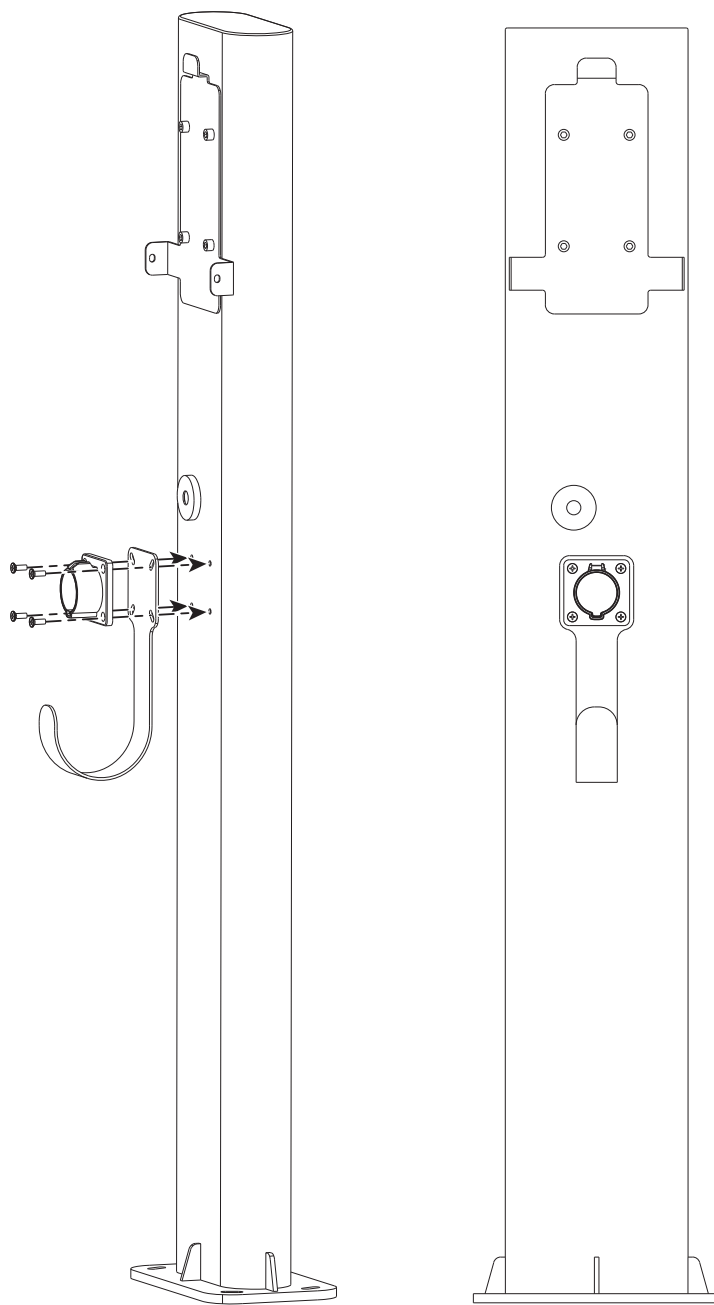
1. Insert the cable gland into the pedestal.
2. Install the mounting plate to the pedestal with screws provided.



2 INSTALLATION

2.5 Connector Base and Hook Installation

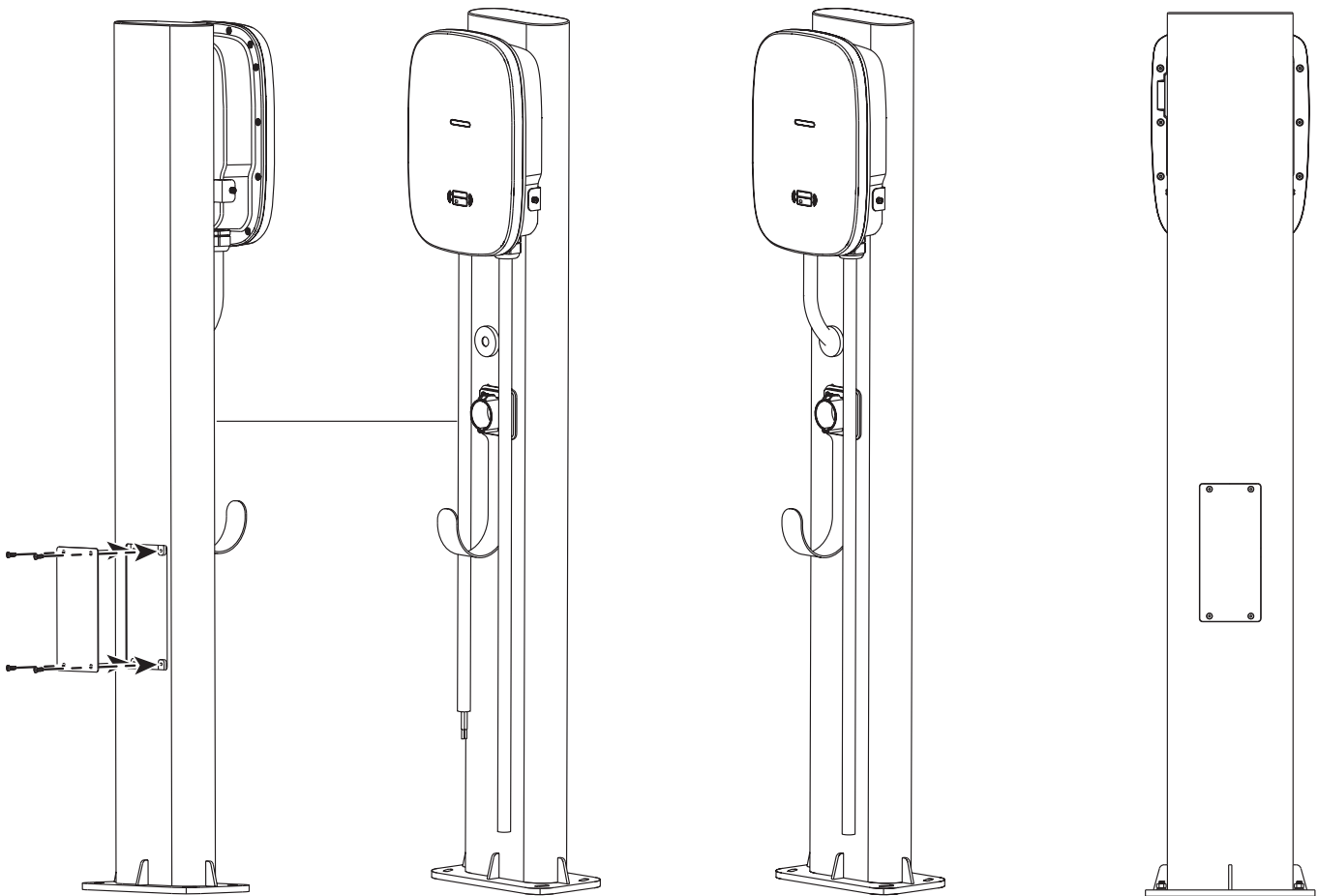
1. Use four (4) of M5 x 22 mm. screws to fix the connector base and hook in the corresponding position.



2 INSTALLATION

2.6 Mounting and Connecting the Charging Station

1. Mount the charging stations on the pedestal using two (2) M5 x 12 mm screws on both sides of the charger.
2. Release the four (4) M5 x 12 mm screws from the wiring window at the back.
3. Thread the connection cables from the bottom, through the pedestal, upwards through the cable opening.
4. Perform the electrical connection and commissioning in accordance with their instructions.
5. Fix the four (4) M5 x 12 mm screws to finish the installation.



3 STANDARD STATEMENTS AND WARRANTY

TRADEMARK DISCLAIMER:

Leviton and the Leviton logo are trademarks of Leviton Manufacturing Co., Inc. Use herein of third party trademarks, service marks, trade names, brand names and/or product names are for informational purposes only, are/may be the trademarks of their respective owners; such use is not meant to imply affiliation, sponsorship, or endorsement.

Leviton Manufacturing Co., Inc.

201 North Service Road, Melville, NY 11747

Visit Leviton's website at www.leviton.com

© 2024 Leviton Manufacturing Co., Inc. All rights reserved.

Specifications and price subject to change at any time without notice.

FOR CANADA ONLY

For warranty information and/or product returns, residents of Canada should contact Leviton in writing at **Leviton Manufacturing of Canada ULC** to the attention of the **Quality Assurance Department, 165 Hymus Blvd, Pointe-Claire (Quebec), Canada H9R 1E9** or by telephone at **1 800 405-5320**.

LIMITED 1 YEAR WARRANTY AND EXCLUSIONS

Leviton warrants to the original consumer purchaser and not for the benefit of anyone else that this product at the time of its sale by Leviton is free of defects in materials and workmanship under normal and proper use for one year from the purchase date. Leviton's only obligation is to correct such defects by repair or replacement, at its option. **For details visit www.leviton.com or call 1-800-824-3005.** This warranty excludes and there is disclaimed liability for labor for removal of this product or reinstallation. This warranty is void if this product is installed improperly or in an improper environment, overloaded, misused, opened, abused, or altered in any manner, or is not used under normal operating conditions or not in accordance with any labels or instructions. **There are no other or implied warranties of any kind, including merchantability and fitness for a particular purpose,** but if any implied warranty is required by the applicable jurisdiction, the duration of any such implied warranty, including merchantability and fitness for a particular purpose, is limited to one year. **Leviton is not liable for incidental, indirect, special, or consequential damages, including without limitation, damage to, or loss of use of, any equipment, lost sales or profits or delay or failure to perform this warranty obligation.** The remedies provided herein are the exclusive remedies under this warranty, whether based on contract, tort or otherwise.

For Technical Assistance Call: 1-800-824-3005 (USA Only) or 1-800-405-5320 (Canada Only) www.leviton.com

