

32 Amp and 48 Amp EV Charging Replacement Cord

Cat. Nos. EC32A and EC48A



WARNINGS:

- **TO AVOID FIRE, SHOCK OR DEATH: TURN OFF POWER AT CIRCUIT BREAKER OR FUSE AND TEST THAT THE POWER IS OFF BEFORE WIRING!**
- To be installed and/or used in accordance with electrical codes and regulations.
- If you are not sure about any part of these instructions, consult an electrician.

CAUTIONS:

- No user serviceable components. **DO NOT** attempt to service or repair.
- Use this device **WITH COPPER OR COPPER-CLAD WIRE ONLY**.

PK-A3458-10-00-5B-W

INSTALLATION INSTRUCTIONS

ENGLISH

Product Description

The replacement cord is 18 feet in length.

Only use EC32A as a replacement cord for Leviton's EV320 and EV32W Charging Stations.

Only use EC48A as a replacement cord for Leviton's EV480, EV48W, EV48S, and EV48G.

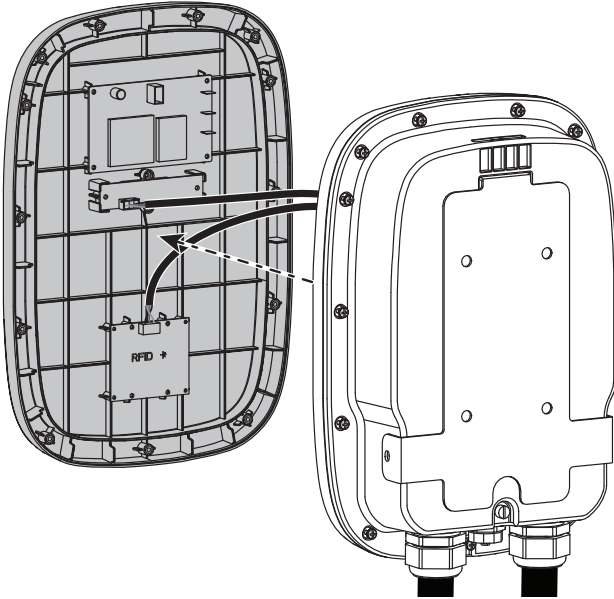
Tools Required:

- Phillips Screwdriver
- Adjustable Wrench

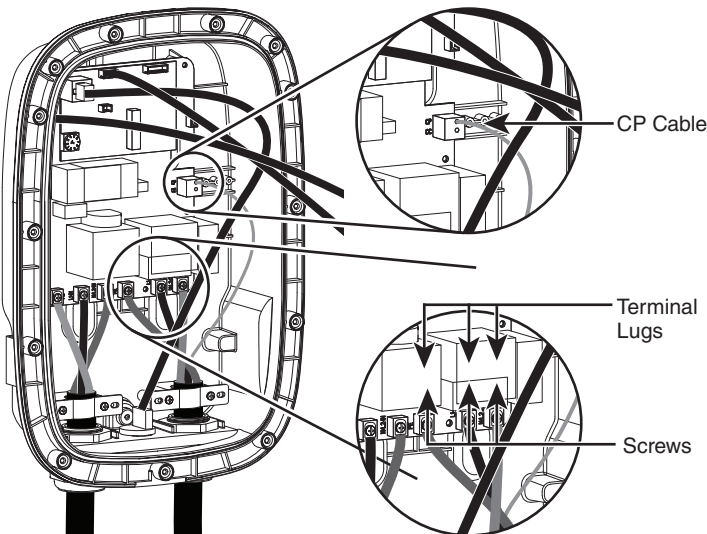
Remove Cord

WARNING: TO AVOID FIRE, SHOCK OR DEATH, turn OFF power at circuit breaker or fuse and test that the power is OFF before wiring.

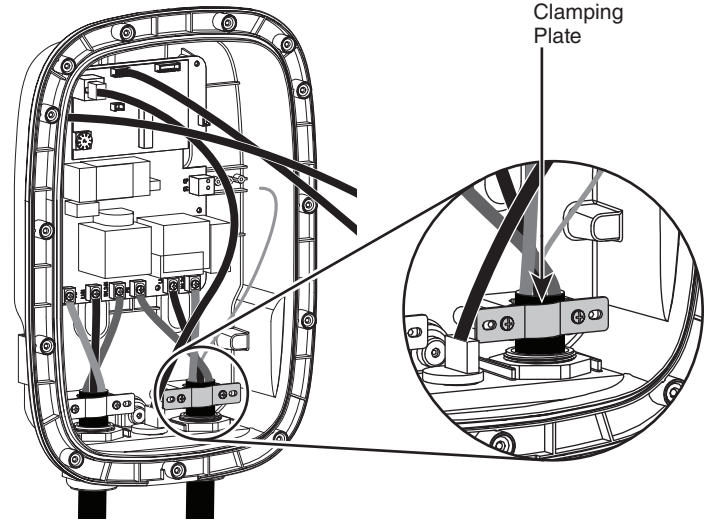
1. Loosen 13 screws on back cover and remove front cover.



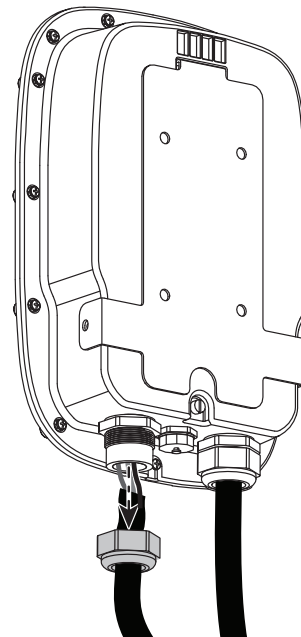
2. Remove three screws and cord terminal lugs from circuit board. Unplug CP cable.



3. Loosen two screws on clamping plate.



4. Loosen gland cap and remove cord.

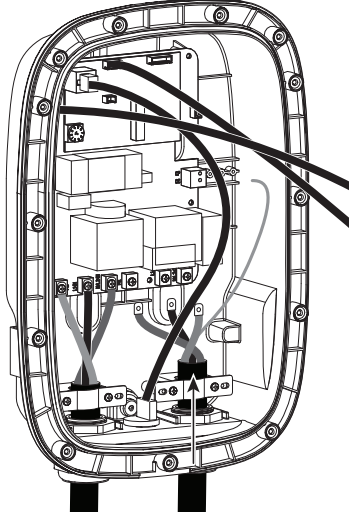


WEB VERSION

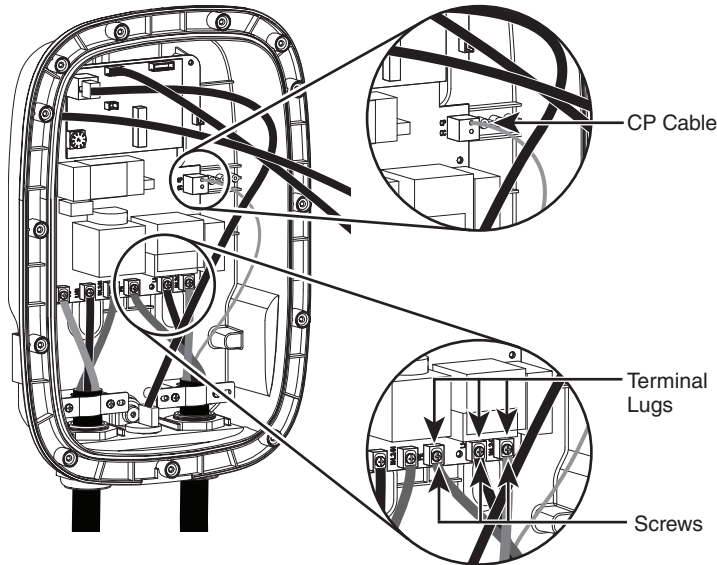
Install Replacement Cord

WARNING: TO AVOID FIRE, SHOCK OR DEATH, turn OFF power at circuit breaker or fuse and test that the power is OFF before wiring.

1. Position gland cap on cord and feed cord through gland and clamping plate.

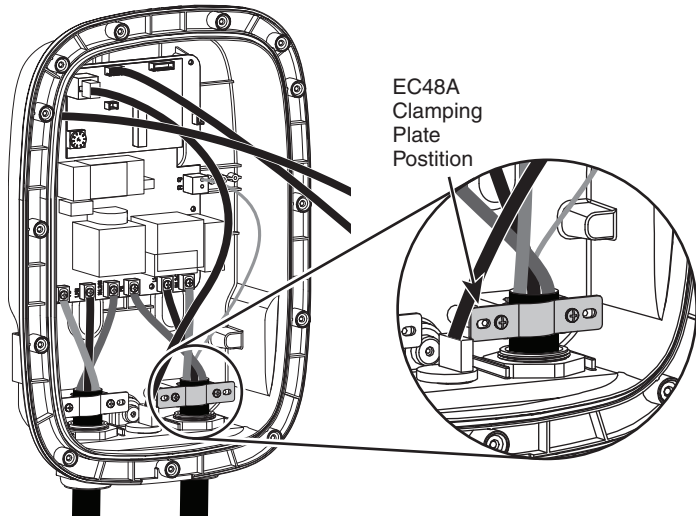


2. Plug CP cable into circuit board. Install cord terminal lugs to circuit board with three screws. Torque screws to 8.5 - 10.5 in-lb.

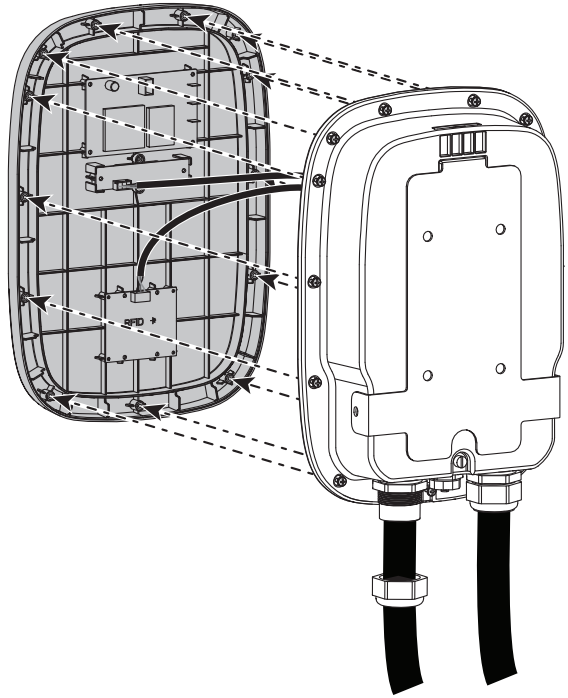


3. Tighten two screws securing clamping plate. Torque screws to 8.5 - 10.5 in-lb.

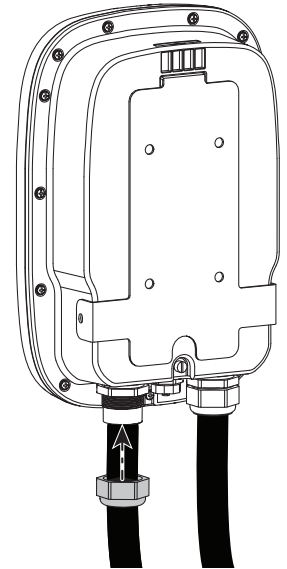
NOTE: When installing EC32A 32 Amp replacement cord, concave side faces front cover.



4. Install front cover to back cover and secure with 13 screws. Torque screws to 8.5 - 10.5 in-lb.



5. Tighten gland cap to seal. Torque gland cap to 8.5 - 10.5 in-lb.



FOR CANADA ONLY

For warranty information and/or product returns, residents of Canada should contact Leviton in writing at **Leviton Manufacturing of Canada ULC** to the attention of the **Quality Assurance Department, 165 Hymus Blvd, Pointe-Claire (Quebec), Canada H9R 1E9** or by telephone at 1 800 405-5320.

LIMITED 1 YEAR WARRANTY AND EXCLUSIONS

Leviton warrants to the original consumer purchaser and not for the benefit of anyone else that this product at the time of its sale by Leviton is free of defects in materials and workmanship under normal and proper use for one year from the purchase date. Leviton's only obligation is to correct such defects by repair or replacement, at its option. **For details visit www.leviton.com or call 1-800-824-3005.** This warranty excludes and there is disclaimed liability for labor for removal of this product or reinstallation. This warranty is void if this product is installed improperly or in an improper environment, overloaded, misused, opened, abused, or altered in any manner, or is not used under normal operating conditions or not in accordance with any labels or instructions. **There are no other or implied warranties of any kind, including merchantability and fitness for a particular purpose,** but if any implied warranty is required by the applicable jurisdiction, the duration of any such implied warranty, including merchantability and fitness for a particular purpose, is limited to one year. **Leviton is not liable for incidental, indirect, special, or consequential damages, including without limitation, damage to, or loss of use of, any equipment, lost sales or profits or delay or failure to perform this warranty obligation.** The remedies provided herein are the exclusive remedies under this warranty, whether based on contract, tort or otherwise.

For Technical Assistance Call: 1-800-824-3005 (USA Only) or
1-800-405-5320 (Canada Only) www.leviton.com