



# Applications Cookbook

2021 IECC

Version 6.0

FOR REFERENCE ONLY

# 2021 IECC COOKBOOK NOTES

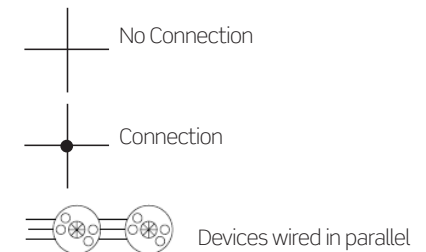
1. Refer to manufacturer's data sheets and installation instructions prior to installation
2. Line feed 120/230/277 VAC, 60 Hz
3. Ground not shown, ground devices per applicable national and local codes are best practices
4. For emergency power situations, illustrations assume transfer switch by others upstream of shown devices
5. Line voltage load not to exceed contact rating per device specifications
6. Power packs receiving separate feeds for switched loads and self power must have both feeds on the same phase
7. All low voltage devices consume current. Device power budget is estimated for these details—additional power sources may be required. See product literature for power specifications.
8. Maximum run length for analog wiring is 1000' @ #18 AWC
9. Sensors wired in parallel will cause line voltage relay closure when occupancy is detected by any unit
10. Devices in series requiring contact closure from a single device (clock input, demand response, emergency, etc.) must follow these wiring conventions:
  - First device in sequence provides the +V to the triggering relay
  - Signal from closure attached to all devices in sequence input
  - Com from first device in sequence attached to com on all devices in sequence
11. Applications requiring multiple power packs/power supplies at the same VDC:
  - +V must never be tied together between power packs/power supplies
  - Com/DCC must be tied together to all power packs/power supplies and all powered devices
12. Ultrasonic ceiling mount sensors should be located a minimum of six (6) feet from HVAC supply/return vents
13. Ceiling sensors mounted over doorways should be placed one (1) foot inside the threshold
14. Trough-mounted and pendant-mounted indirect lighting sources affect the operation of locally mounted sensors. Contractor is responsible for adjusting sensor locations to allow for proper operation
15. Contractor is responsible for proper sensitivity and time delay settings for non-adaptive products, following the manufacturer's recommended placement, and field verification of circuits with respect to power pack placement

16. Contractor is responsible for coordinating the operational options of sensors and power packs with the specific work requirements
  - Work relevant energy code requirements affect circuits to be controlled and their control characteristics
  - One controlled relay is required for reach controlled circuit
  - Refer to power pack data sheet for power output and installation guide for maximum number of sensors connected to a control device
  - Multiple control circuits may be controlled by a sensor/multiple sensors. Refer to the product installation manuals for interconnection details
17. Up to 100 Mark VII style ballasts may be controlled per daylighting zone by IRC
18. All relays shown in de-energized state
19. Individually cap off unused leads
20. One-line parenthesis use:
  - (X) Function
  - [#] Terminal
21. N-Way Switching
  - Wireless N-Way Switching/Dimming
    - One device is connected for all control, remaining are connected for device power only. Switching and dimming control are coordinated wirelessly between participating devices.
  - High Voltage 3-Way Switching
    - Per industry standards: (2) high voltage travellers plus (1) high voltage line/load per switch. Switch equal to Leviton 1223-W (Toggle) or 5623-2 (Decora) unless otherwise noted
  - Low Voltage Analog Maintained 3-Way Switching
    - (2) #18 AWG source plus (1) #18 AWG signal per switch. Switch equal to Leviton 1223-W (Toggle) or 5623-2 (Decora) unless otherwise noted
  - Low Voltage Analog Momentary N-Way Switching
    - (1) #18 AWG Source plus (1) #18 AWG signal per switch. Quantity of low voltage momentary switches as required. Terminated in parallel.
  - Digital Stations
    - Digital stations are software programmable and should be wired according to their digital communications
22. Plug Load Control - Commercial receptacle P/Ns:
  - Standard Duplex
    - Split control (1 outlet) CR015-1PX, CR020-1PX
    - Full control (2 outlets) CR015-2PX, CR020-2PX
  - Decora
    - Split control (1 outlet) 16252-1PX, 16352-1PX
    - Full control (2 outlets) 16252-2PX, 16352-2PX
23. Control Receptacle:
  - Quantity per applicable codes
  - Termination shown split receptacle. Termination per applicable codes
  - Receptacle markings per applicable energy codes

## ABBREVIATIONS:

LC	LumaCAN
LV	Low voltage
HV	High voltage switch (maintained)
LVM	Low voltage switch (momentary) Equal to Leviton 1081 (toggle) OR Leviton 56081 (Decora)
LVT	Low voltage switch (maintained) Equal to Leviton 12021-2 (toggle) or Leviton 56021-2 (Decora)
LV2	IRC low voltage switch
UON	Unless otherwise noted
BLK	Black
WHT	White
BLU	Blue
YEL	Yellow
ORG	Orange
VIO	Violet
BRN	Brown

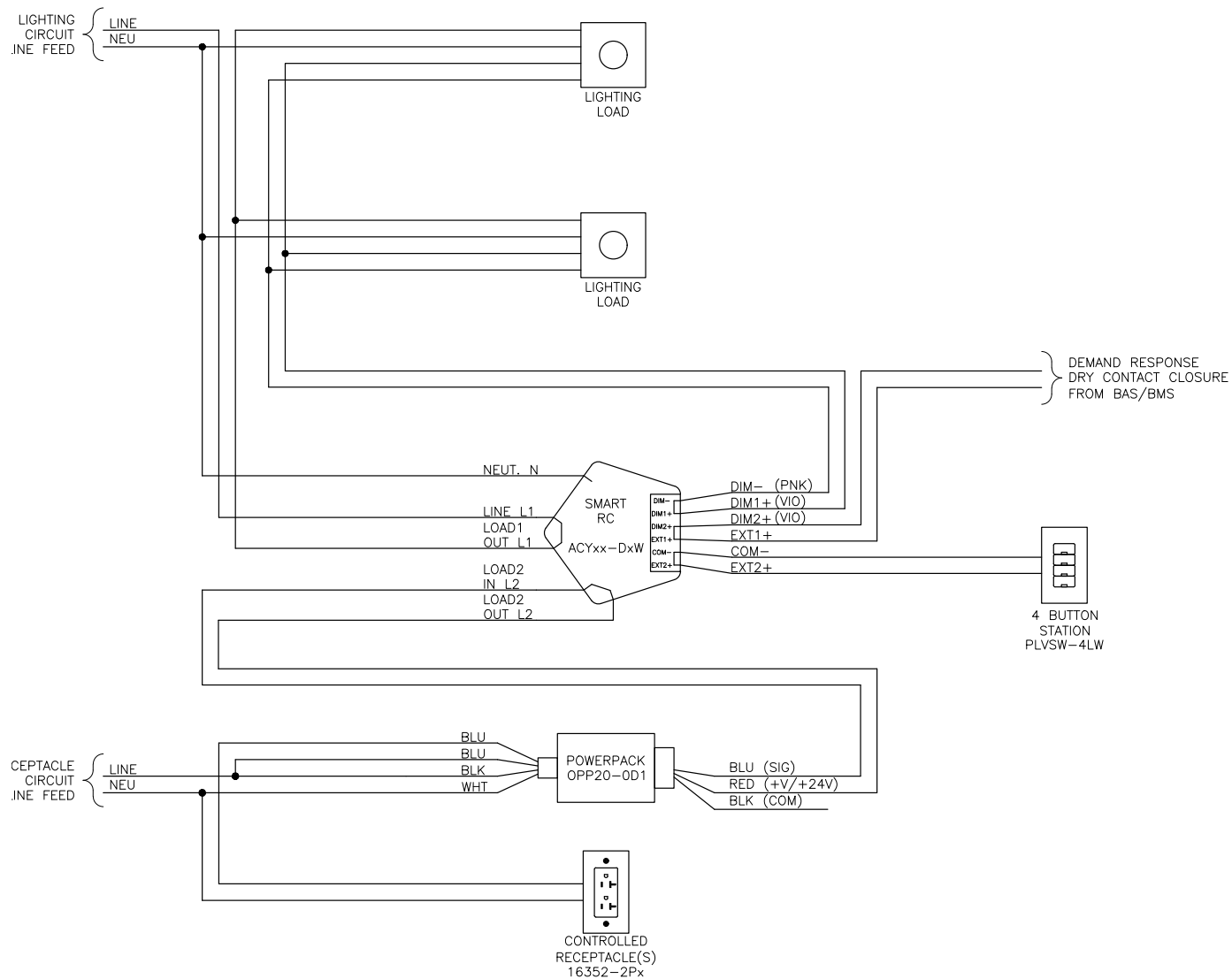
## SYMBOLS:



# TABLE OF CONTENTS

PAGE	DESCRIPTION
3	Small Office, Smart Room Controller (SRC), Single Zone
4	Small Office, Smart Room Controller (SRC), Dual Zone
5	Small Office, GreenMAX DRC Wireless with Intellect-Enabled Fixtures and Wireless Devices, Single Zone
6	Small Office, GreenMAX DRC Wireless with Intellect-Enabled Fixtures and Wireless Devices, Dual Zone
7	Open Office, GreenMAX DRC Wireless with Intellect-Enabled Fixtures and Wireless Devices
8	Open Office, GreenMAX and GreenMAX DRC Wired
9	Conference Room, GreenMAX
10	Conference Room, GreenMAX DRC Wireless with Intellect-Enabled Fixtures and Wireless Devices
11	Classroom, Smart Room Controller (SRC)
12	Classroom, IRC
13	Classroom, GreenMAX DRC Wireless with Intellect-Enabled Fixtures and Wireless Devices
14	Common Area, Smart Room Controller (SRC)
15	Common Area, GreenMAX DRC Wireless with Intellect-Enabled Fixtures and Wireless Devices
16	Stairwell, Smart Room Controller (SRC), Single Zone
17	Stairwell, Smart Room Controller (SRC), Dual Zone
18	Warehouse, GreenMAX
19	Warehouse, OSF20-ILW/OSHIP-ILW, GreenMAX DRC Wired
20	Parking Garage, GreenMAX
21	Parking Garage, Smart IP66 Integrated Fixture Mount Sensor
22	Site Lighting, Smart IP66 Integrated Fixture Mount Sensor

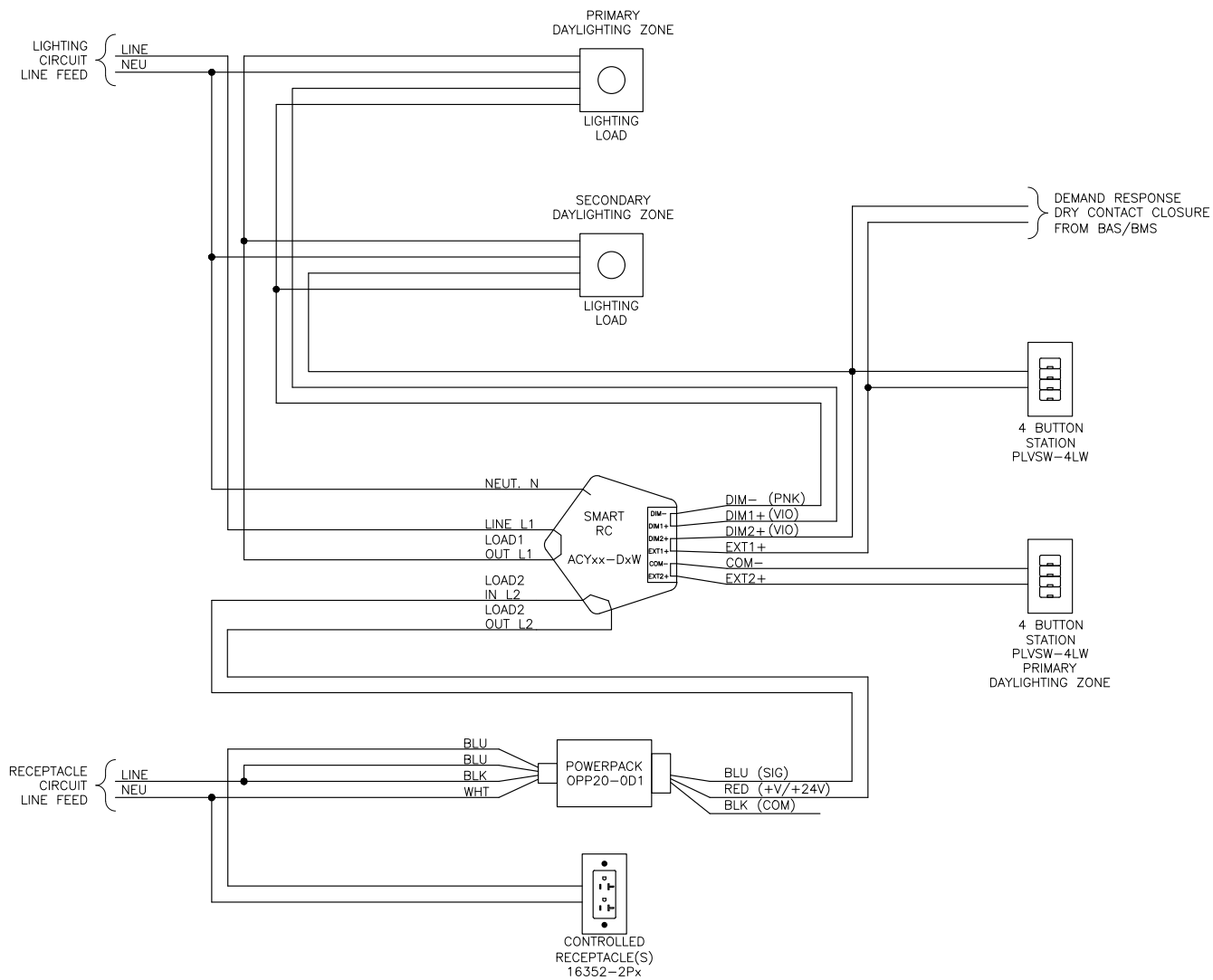
# 2021 IECC SMALL OFFICE, SMART ROOM CONTROLLER (SRC), SINGLE ZONE, TYPICAL



**NOTES:**

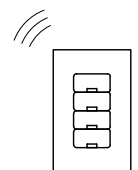
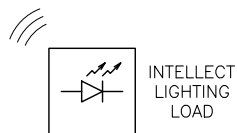
1. 0-10V PINK WIRE MAY BE GRAY.

# 2021 IECC SMALL OFFICE, SMART ROOM CONTROLLER (SRC), DUAL ZONE, TYPICAL

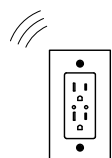


NOTES:  
1. 0-10V PINK WIRE MAY BE GRAY.

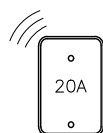
# 2021 IECC SMALL OFFICE, GREENMAX DRC WIRELESS WITH INTELLECT-ENABLED FIXTURES AND WIRELESS DEVICES, SINGLE ZONE, TYPICAL



GREENMAX DRC WIRELESS  
KEYPAD ROOM CONTROLLER  
DRKDN-U4W



ZIGBEE CONTROLLED  
RECEPTACLE  
ZSTLR-1HW

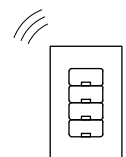
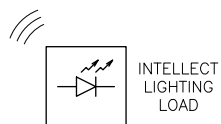
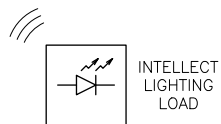


WIRELESS 20A  
SWITCHING POWER PACK  
LU20S-DNW

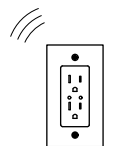
NOTES:

1. ALL DEVICES REQUIRE CONSTANT INPUT POWER. REFER TO PRODUCT LITERATURE (DATA SHEETS, INSTALLATION MANUALS, ETC) FOR MORE INFORMATION.

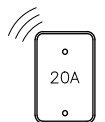
# 2021 IECC SMALL OFFICE, GREENMAX DRC WIRELESS WITH INTELLECT-ENABLED FIXTURES AND WIRELESS DEVICES, DUAL ZONE, TYPICAL



GREENMAX DRC WIRELESS  
KEYPAD ROOM CONTROLLER  
DRKDN-U4W



ZIGBEE CONTROLLED  
RECEPTACLE  
ZSTLR-1HW

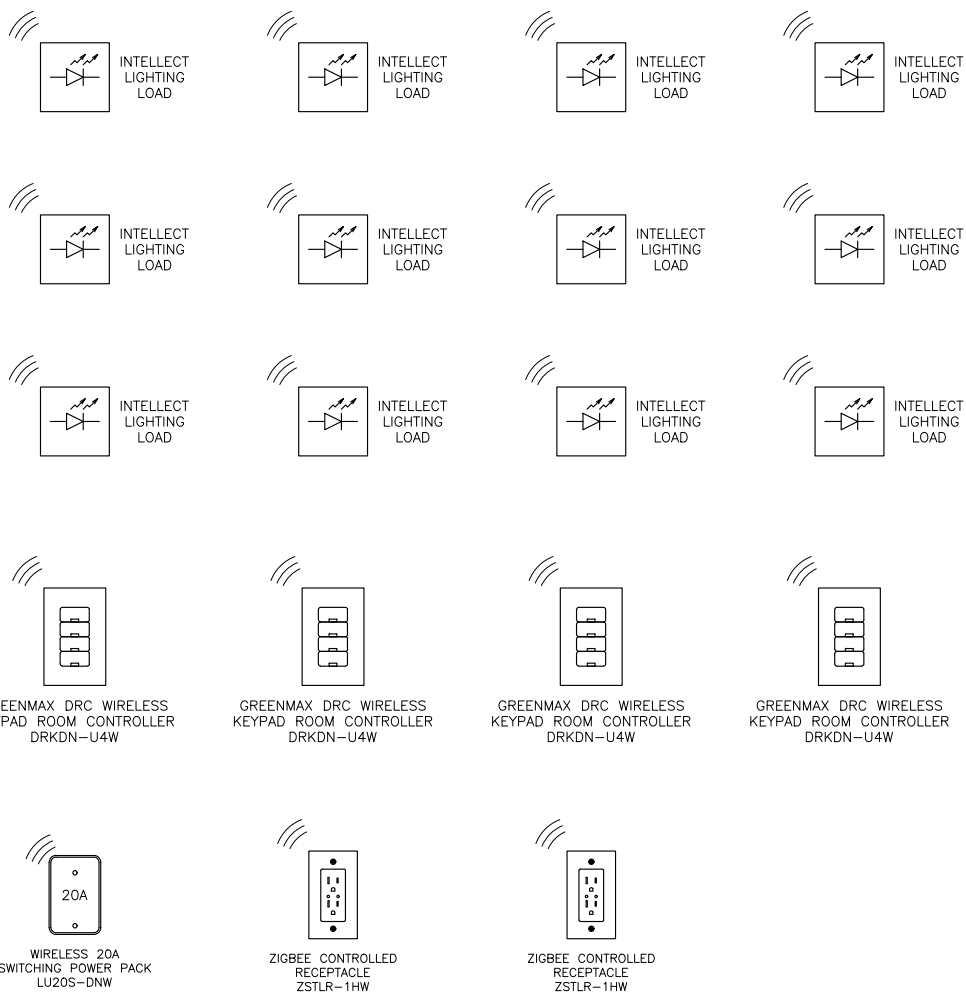


WIRELESS 20A  
SWITCHING POWER PACK  
LU20S-DNW

**NOTES:**

1. ALL DEVICES REQUIRE CONSTANT INPUT POWER. REFER TO PRODUCT LITERATURE (DATA SHEETS, INSTALLATION MANUALS, ETC) FOR MORE INFORMATION.

# 2021 IECC SMALL OFFICE, GREENMAX DRC WIRELESS WITH INTELLECT-ENABLED FIXTURES AND WIRELESS DEVICES, TYPICAL

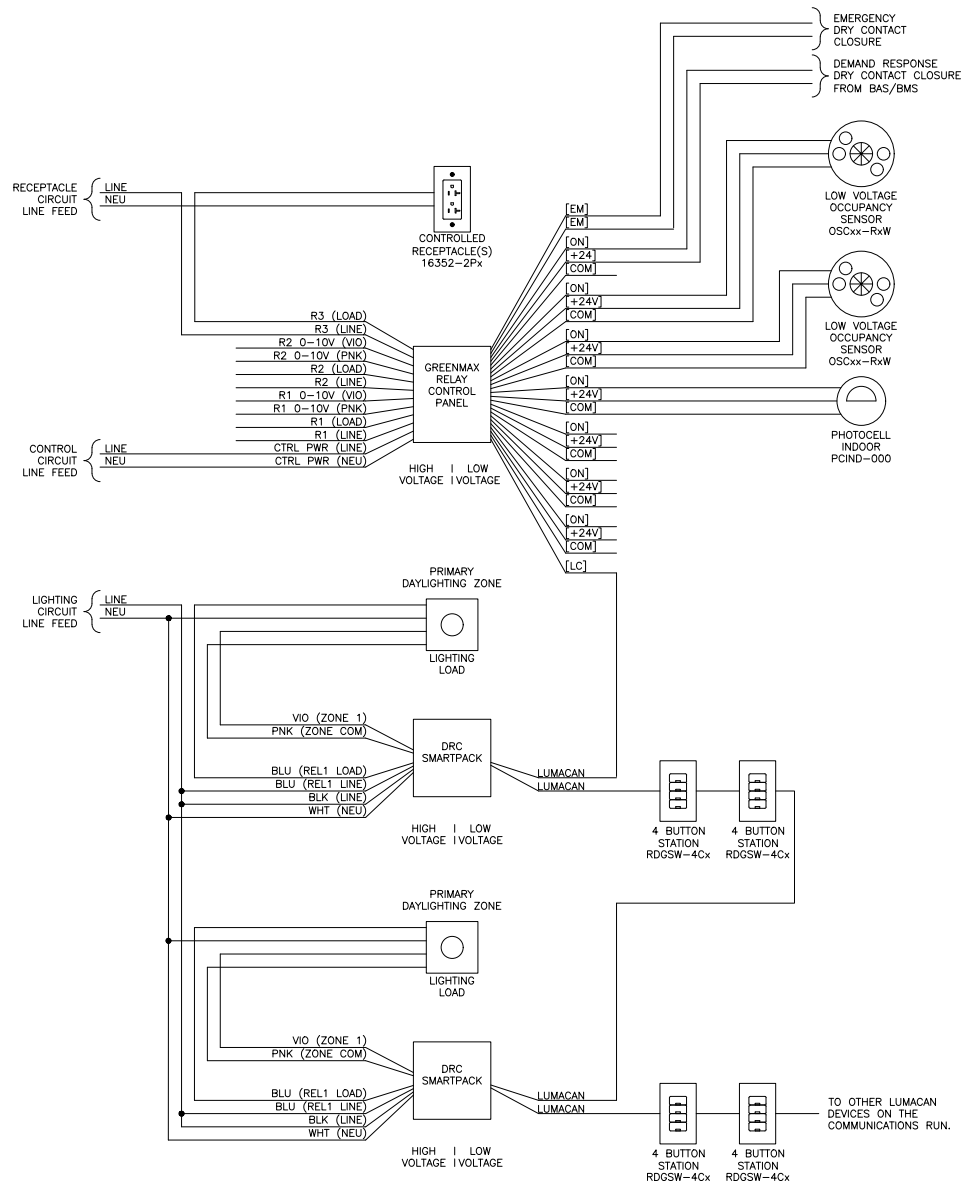


**NOTES:**

1. ALL DEVICES REQUIRE CONSTANT INPUT POWER. REFER TO PRODUCT LITERATURE (DATA SHEETS, INSTALLATION MANUALS, ETC) FOR MORE INFORMATION.

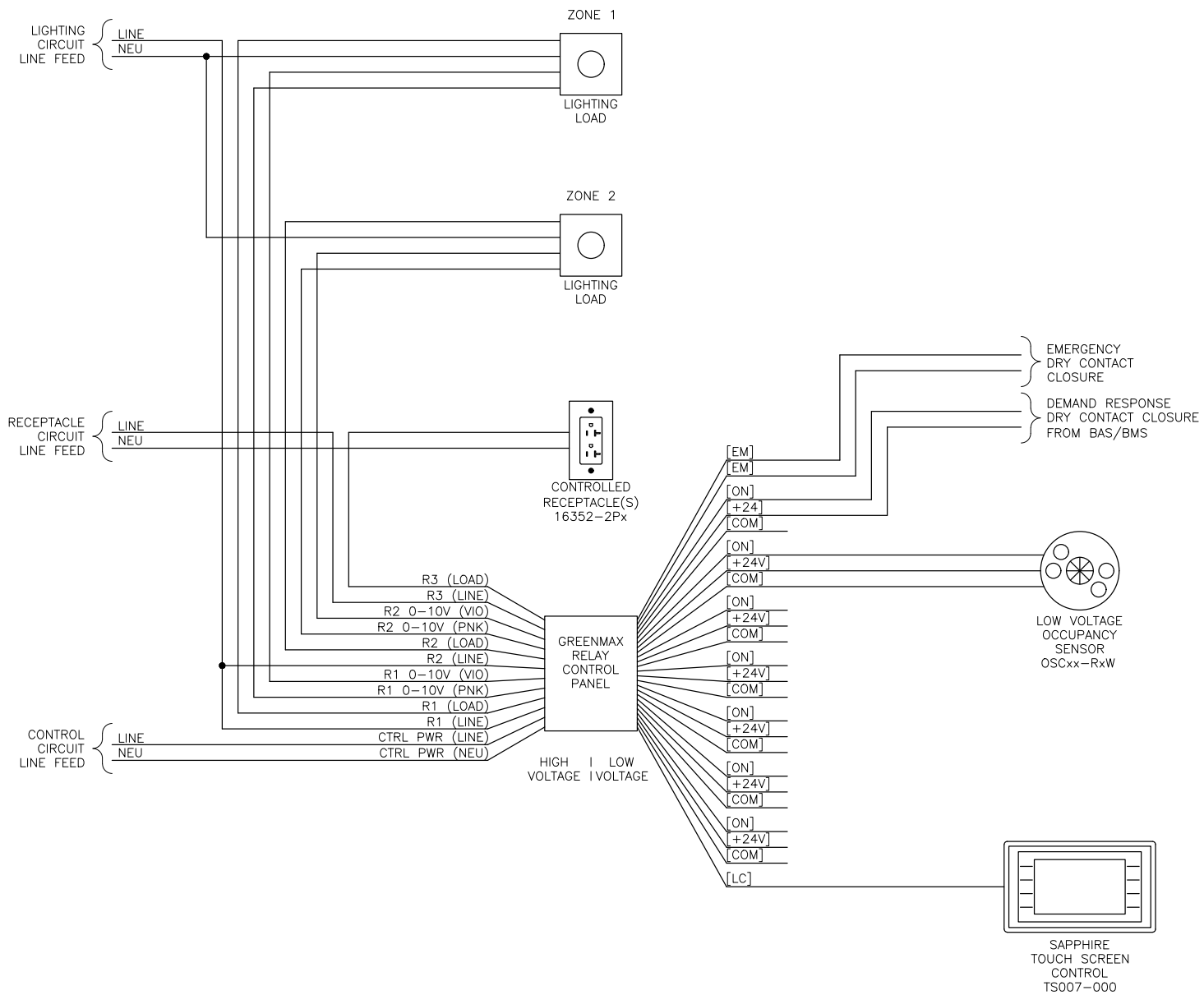


# 2021 IECC OPEN OFFICE, GREENMAX AND GREENMAX DRC WIRED, TYPICAL



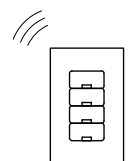
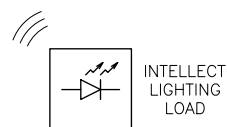
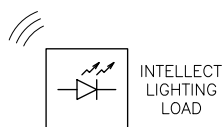
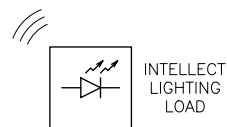
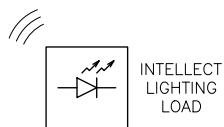
NOTES:  
1. 0-10V PINK WIRE MAY BE GRAY.

## 2021 IECC CONFERENCE ROOM, GREENMAX, TYPICAL

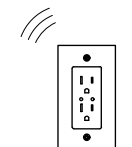


NOTES:  
 1. 0-10V PINK WIRE MAY BE GRAY.

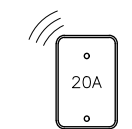
# 2021 IECC CONFERENCE ROOM, GREENMAX DRC WIRELESS WITH INTELLECT-ENABLED FIXTURES AND WIRELESS DEVICES, TYPICAL



GREENMAX DRC WIRELESS  
EYPAD ROOM CONTROLLER  
DRKDN-U4W



ZIGBEE CONTROLLED  
RECEPTACLE  
ZSTLR-1HW

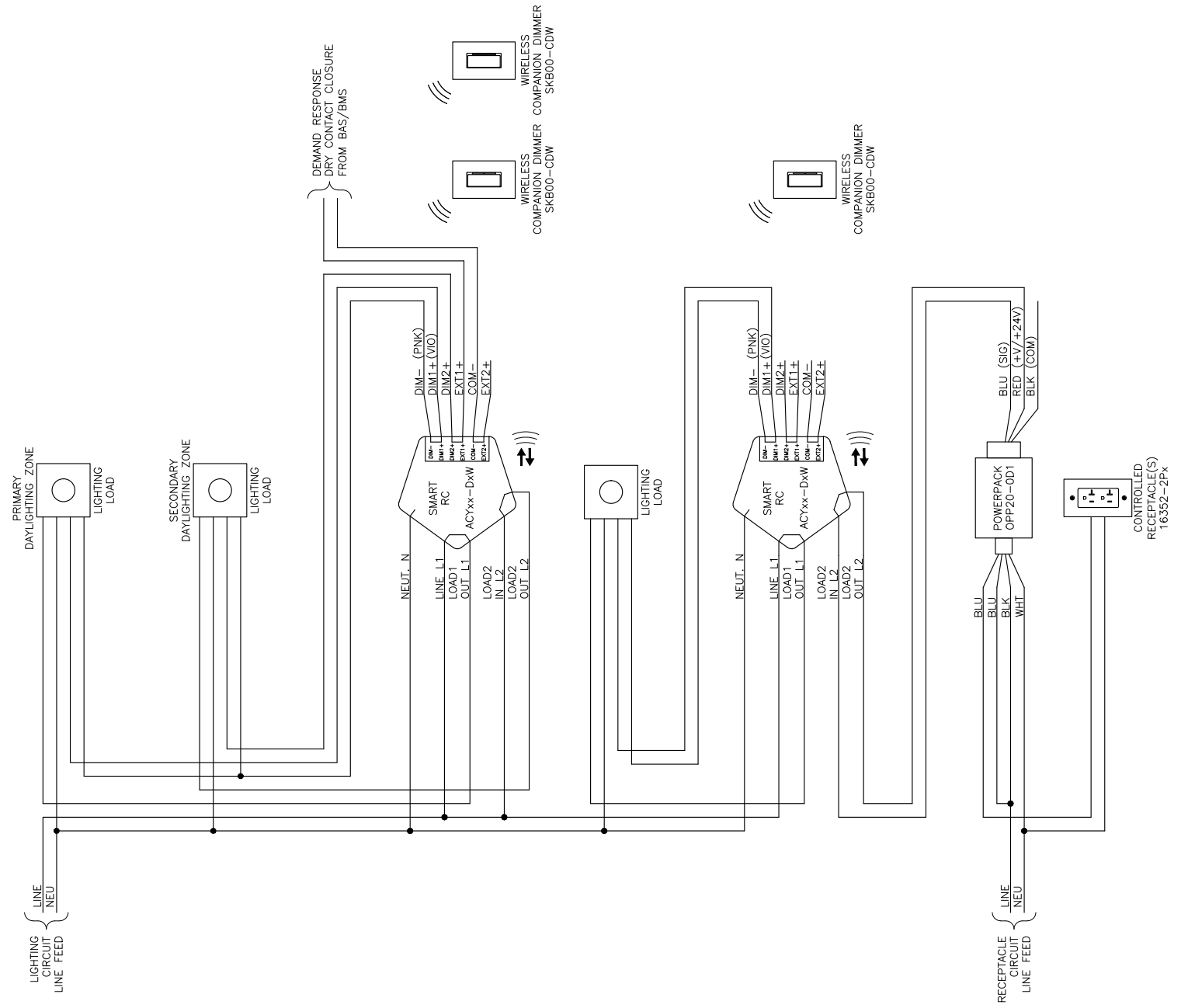


WIRELESS 20A  
SWITCHING POWER PACK  
LU20S-DNW

NOTES:

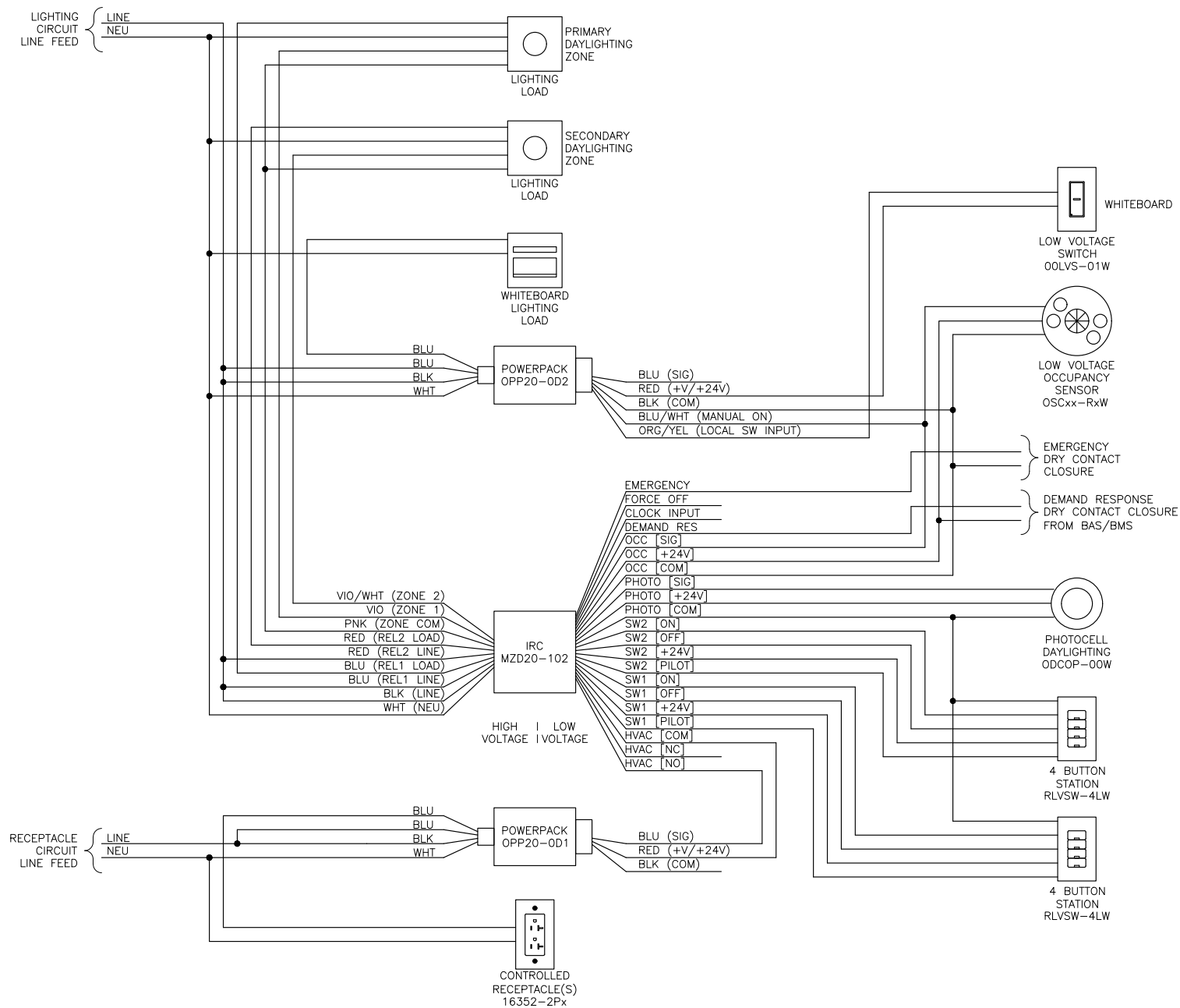
1. ALL DEVICES REQUIRE CONSTANT INPUT POWER. REFER TO PRODUCT LITERATURE (DATA SHEETS, INSTALLATION MANUALS, ETC) FOR MORE INFORMATION

# 2021 IECC CLASSROOM, SMART ROOM CONTROL WITH DEMAND RESPONSE, TYPICAL

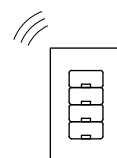
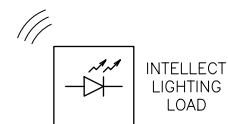
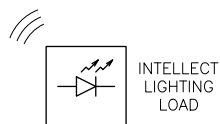
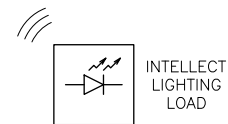
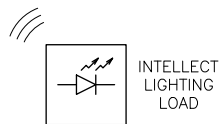


- NOTES:
1. 0-10V PINK WIRE MAY BE GRAY.

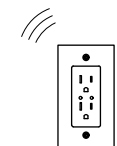
# 2021 IECC CLASSROOM, IRC, TYPICAL



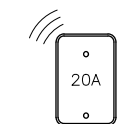
# 2021 IECC CLASSROOM, GREENMAX DRC WIRELESS WITH INTELLECT-ENABLED FIXTURES AND WIRELESS DEVICES, TYPICAL



GREENMAX DRC WIRELESS  
KEYPAD ROOM CONTROLLER  
DRKDN-U4W



ZIGBEE CONTROLLED  
RECEPTACLE  
ZSTLR-1HW

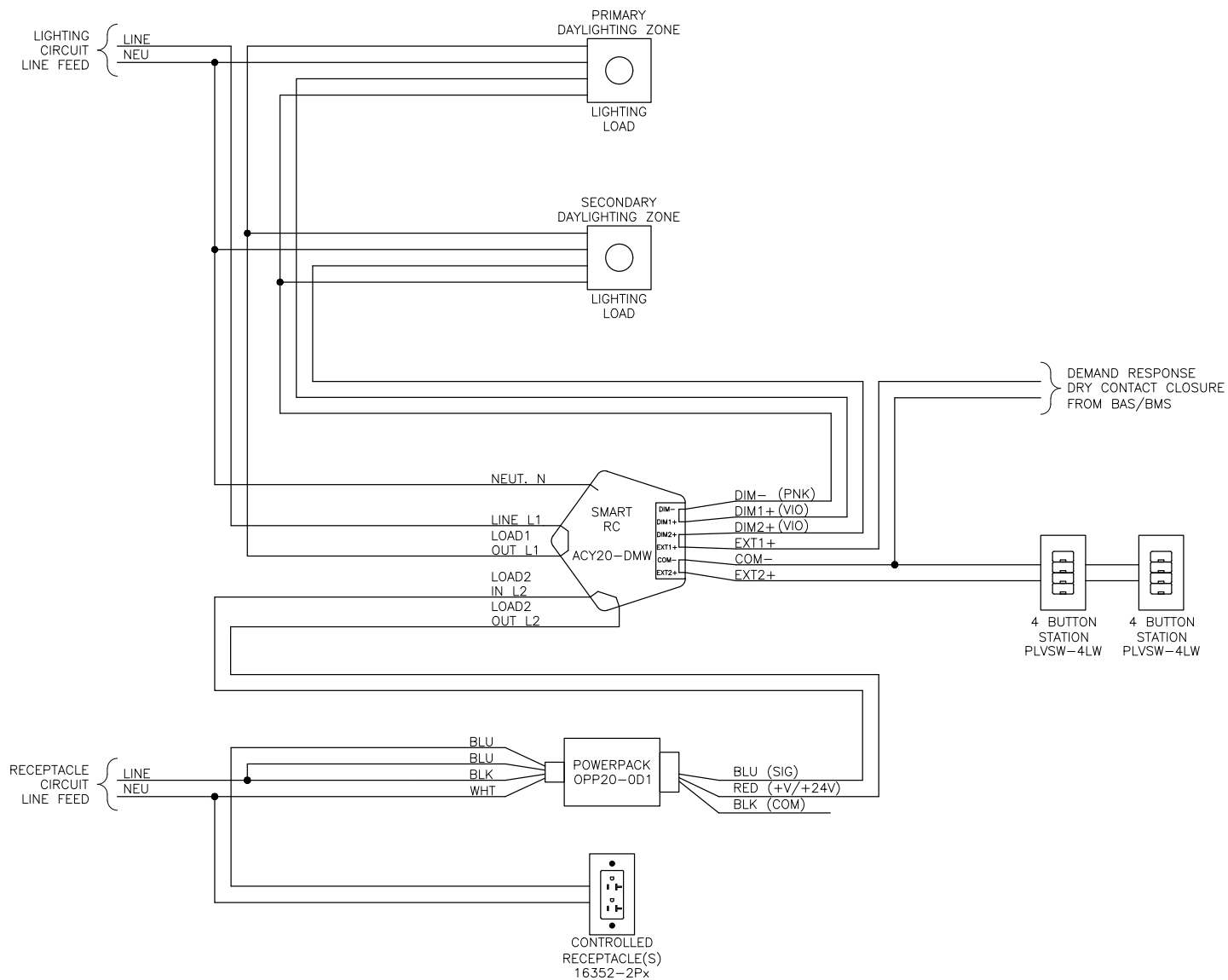


WIRELESS 20A  
SWITCHING POWER PACK  
LU20S-DNW

**NOTES:**

1. ALL DEVICES REQUIRE CONSTANT INPUT POWER. REFER TO PRODUCT LITERATURE (DATA SHEETS, INSTALLATION MANUALS, ETC) FOR MORE INFORMATION.

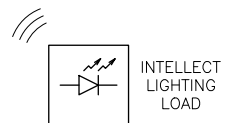
# 2021 IECC COMMON AREA, SMART ROOM CONTROLLER (SRC), TYPICAL



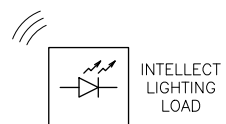
**NOTES:**

1. 0-10V PINK WIRE MAY BE GRAY.

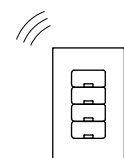
# 2021 IECC COMMON AREA, GREENMAX DRC WIRELESS WITH INTELLECT-ENABLED FIXTURES AND WIRELESS DEVICES, TYPICAL



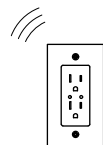
INTELLECT LIGHTING LOAD



INTELLECT LIGHTING LOAD



GREENMAX DRC WIRELESS  
KEYPAD ROOM CONTROLLER  
DRKDN-U4W



ZIGBEE CONTROLLED  
RECEPTACLE  
ZSTLR-1HW



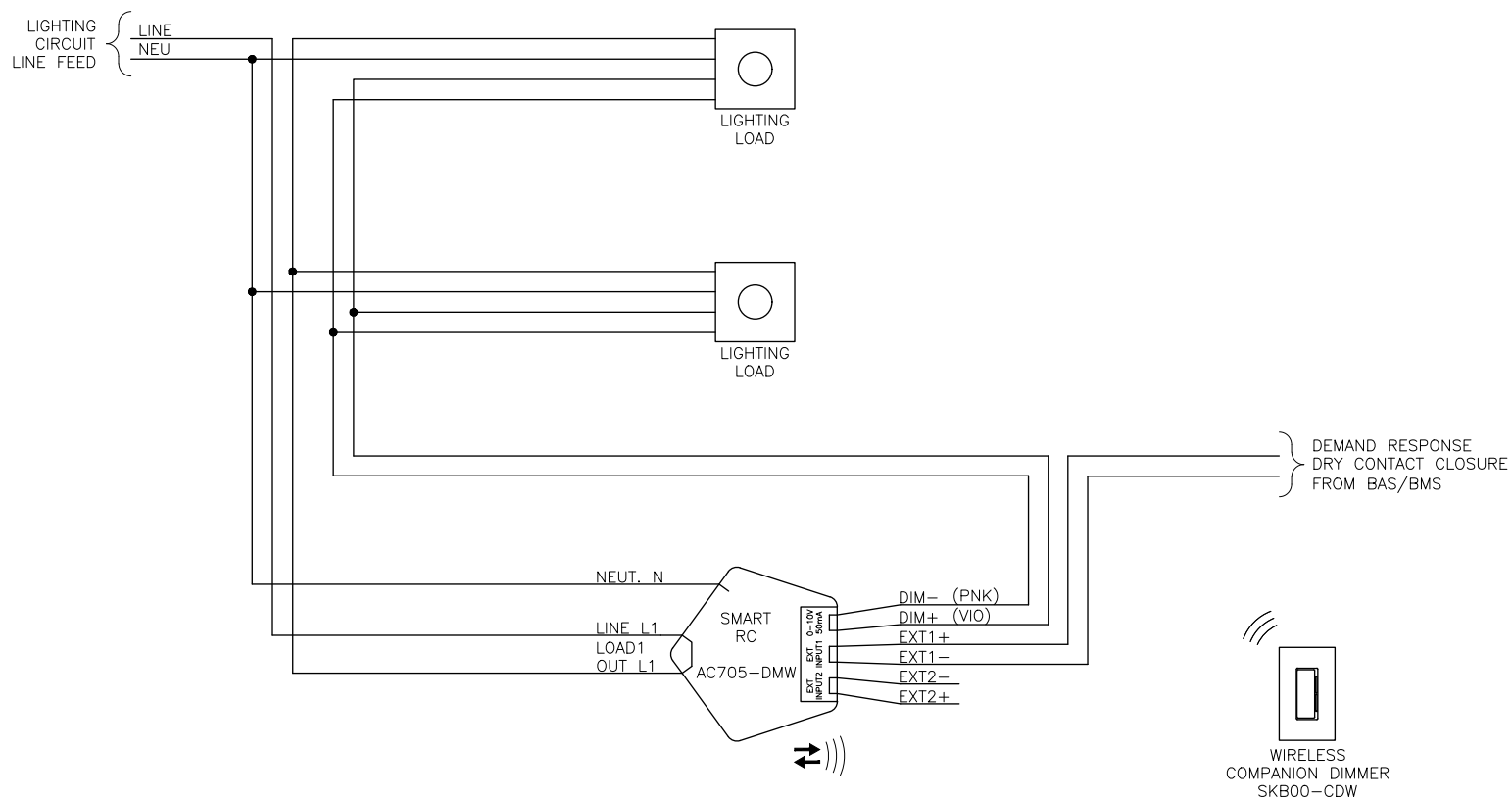
WIRELESS 20A  
SWITCHING POWER PACK  
LU20S-DNW

**NOTES:**

1. ALL DEVICES REQUIRE CONSTANT INPUT POWER. REFER TO PRODUCT LITERATURE (DATA SHEETS, INSTALLATION MANUALS, ETC) FOR MORE INFORMATION.

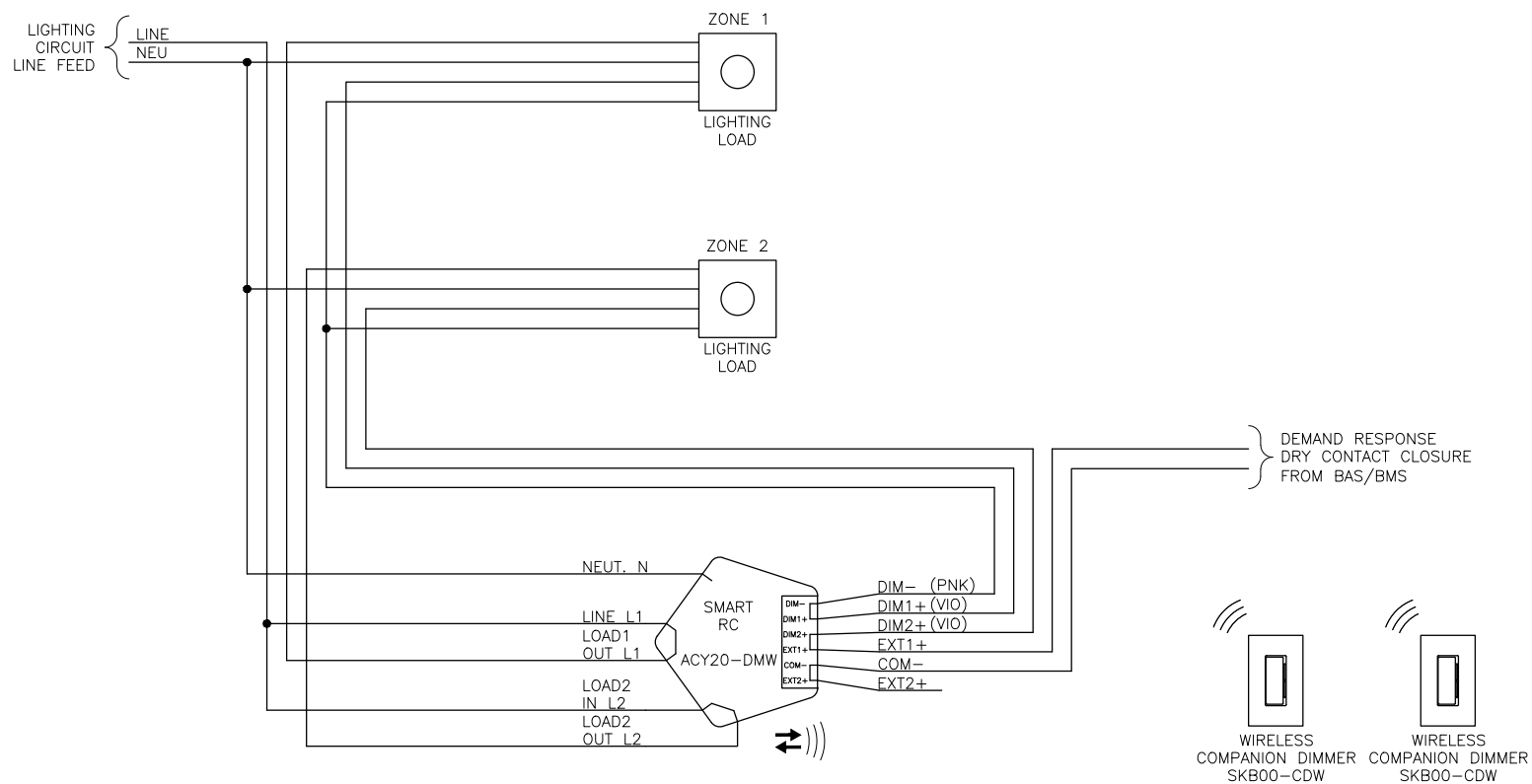


# 2021 IECC STAIRWELL LANDING, SINGLE ZONE, TYPICAL



NOTES:  
1. 0-10V PINK WIRE MAY BE GRAY.

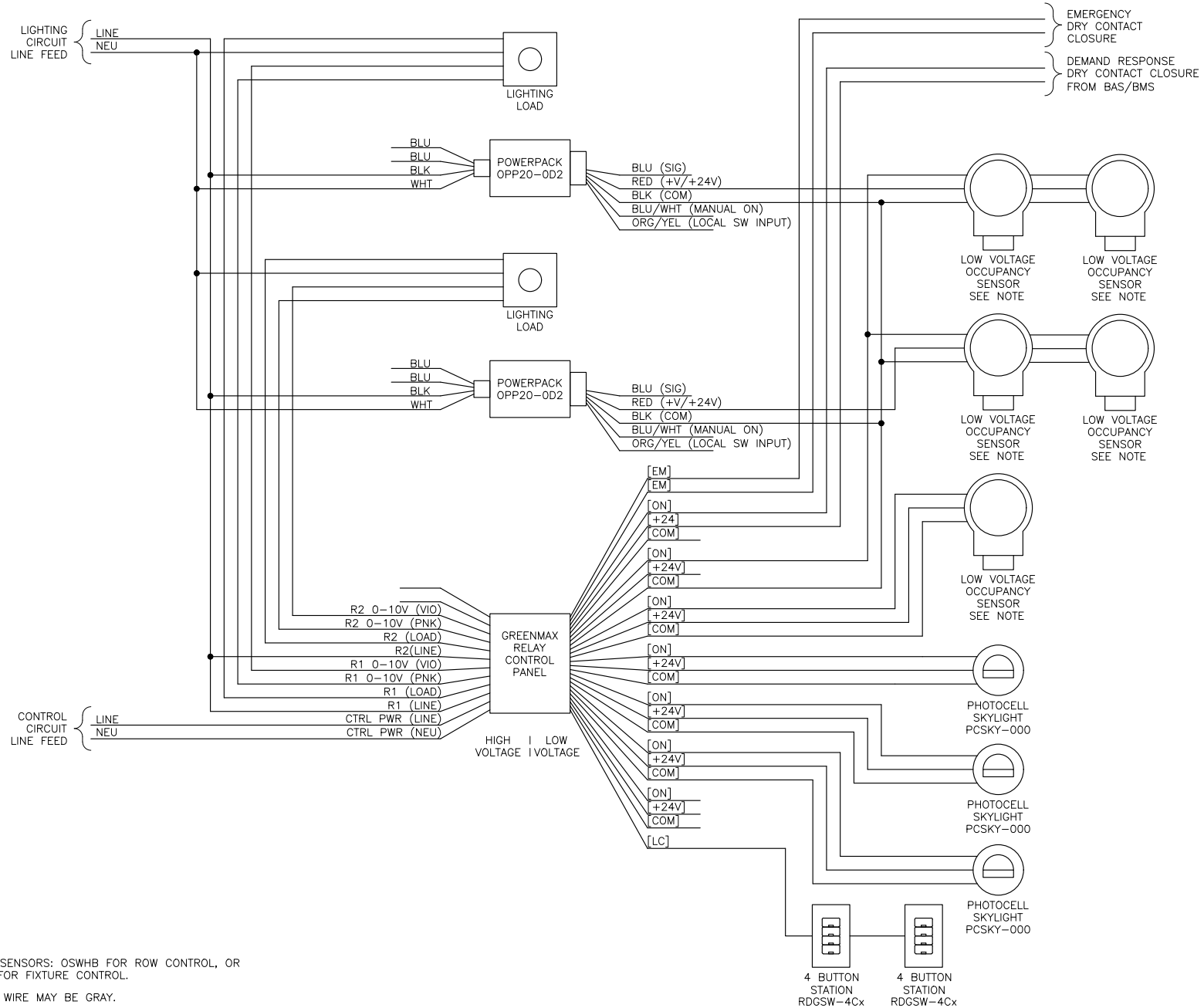
# 2021 IECC STAIRWELL LANDING, DUAL ZONE, TYPICAL



NOTES:

1. 0-10V PINK WIRE MAY BE GRAY.

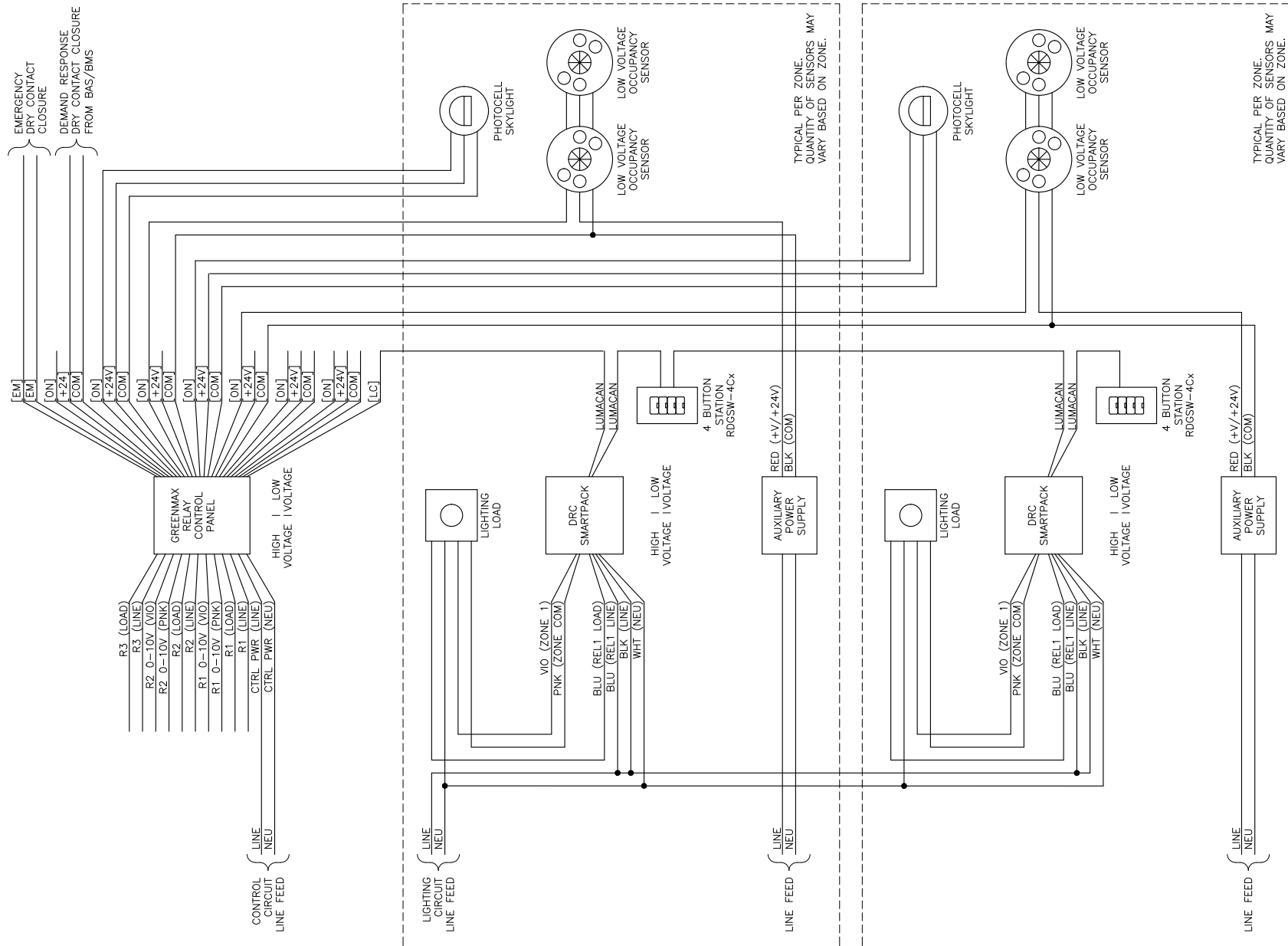
# 2021 IECC WAREHOUSE, GREENMAX, TYPICAL



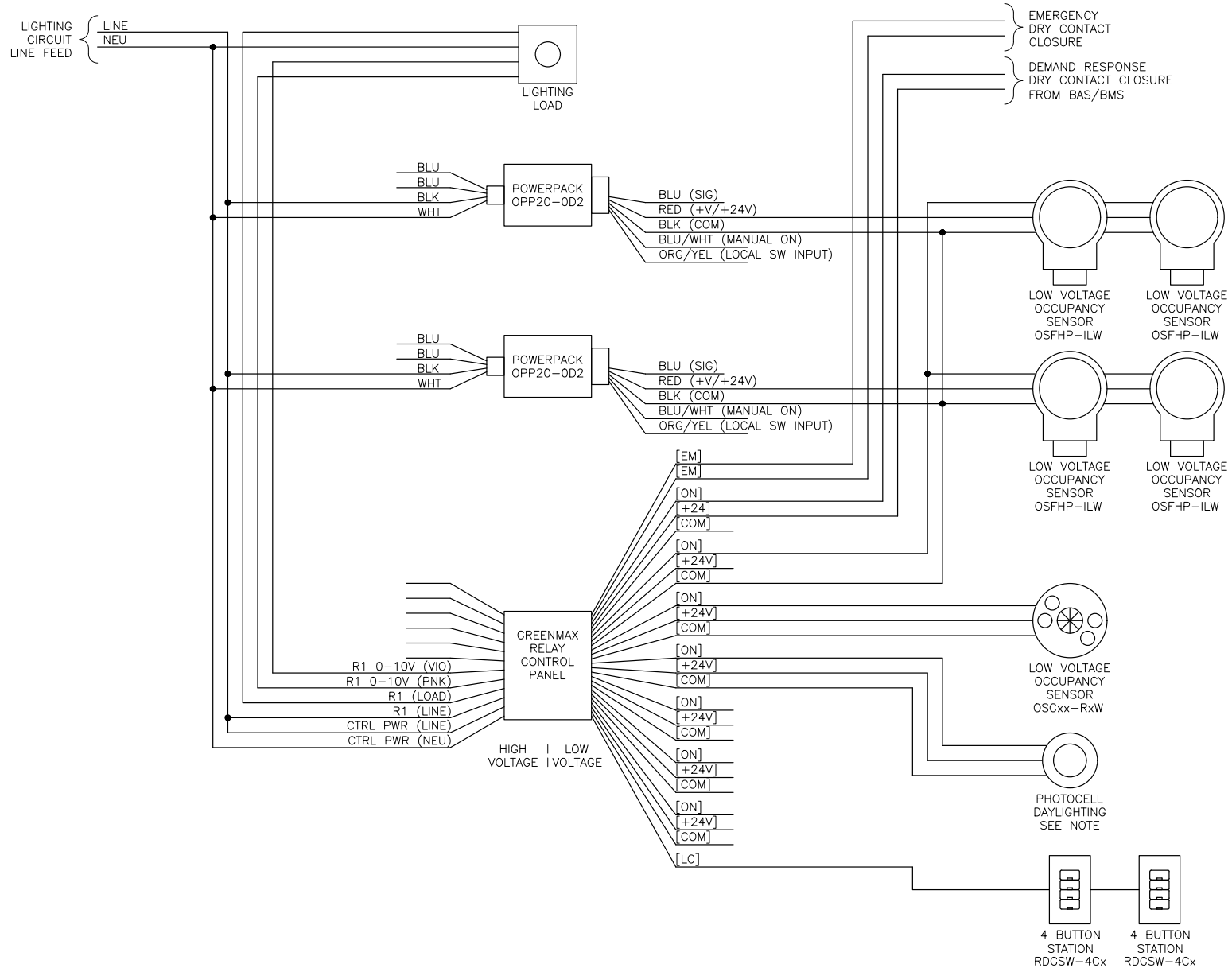
**NOTES:**

1. OCCUPANCY SENSORS: OSWHB FOR ROW CONTROL, OR OSFHP-ILW FOR FIXTURE CONTROL.
2. 0-10V PINK WIRE MAY BE GRAY.

# 2021 IECC WAREHOUSE, OSF20-ILW/OSFHP-ILW, GREENMAX, TYPICAL



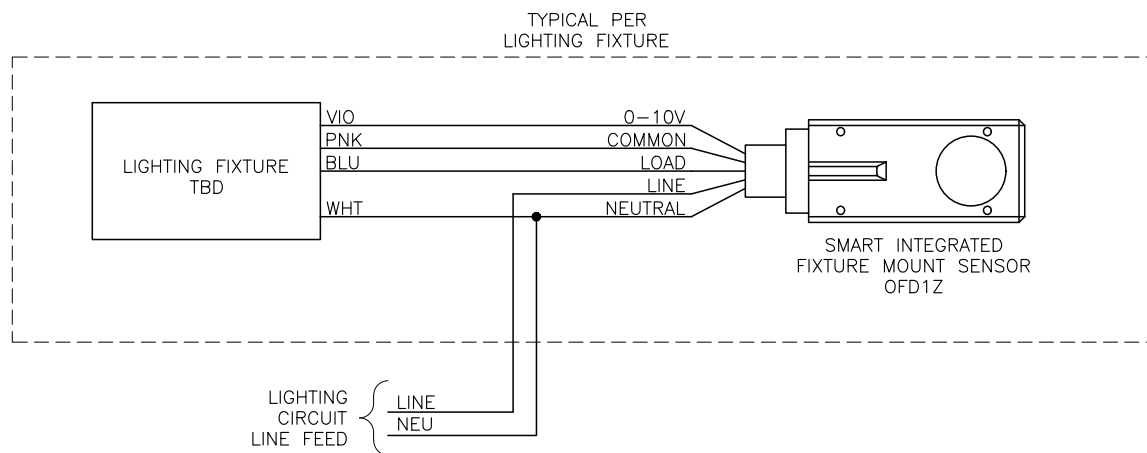
# 2021 IECC PARKING GARAGE, GREENMAX, TYPICAL



**NOTES:**

1. PHOTOCCELL: ODCOP-00W, PCIND, PCATR, PCOUT, PCSKY.
2. 0-10V PINK WIRE MAY BE GRAY.

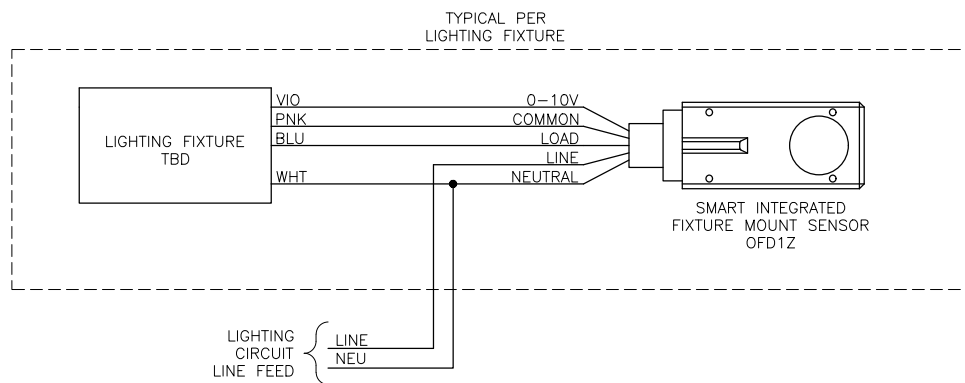
## 2021 IECC PARKING GARAGE, SMART INTEGRATED FIXTURE MOUNT SENSOR, TYPICAL



**NOTES:**

1. REFER TO PRODUCT LABELS AND INSTALL SHEETS FOR ADDITIONAL INSTALLATION DETAILS.
2. INDIVIDUALLY CAP OFF UNUSED CONDUCTORS.
3. DIAGRAM ASSUMES LIGHTING LOAD IS WITHIN DEVICE SPECIFICATIONS.
4. INSTALLING CONTRACTOR TO PROVIDE ENVIRONMENTALLY RATED ENCLOSURES FOR EQUIPMENT AND TERMINATIONS PER APPLICABLE CODES AND BEST PRACTICES.

## 2021 IECC SITE LIGHTING SMART INTEGRATED FIXTURE MOUNT SENSOR, TYPICAL



### NOTES:

1. REFER TO PRODUCT LABELS AND INSTALL SHEETS FOR ADDITIONAL INSTALLATION DETAILS.
2. INDIVIDUALLY CAP OFF UNUSED CONDUCTORS.
3. DIAGRAM ASSUMES LIGHTING LOAD IS WITHIN DEVICE SPECIFICATIONS.
4. INSTALLING CONTRACTOR TO PROVIDE ENVIRONMENTALLY RATED ENCLOSURES FOR EQUIPMENT AND TERMINATIONS PER APPLICABLE CODES AND BEST PRACTICES.



**Leviton Manufacturing Co., Inc. Lighting & Controls**

10385 SW Avery Street, Tualatin, OR 97062 **tel** 800-736-6682 **tech line** (6:00AM-4:00PM PT Mon-Fri) 800-959-6004

**Leviton Manufacturing Co., Inc. Global Headquarters**

201 North Service Road, Melville, NY 11747-3138 **tel** 800-323-8920 **tech line** (8:00AM-10:00PM ET Mon-Fri, 9:00AM-7:00PM ET Sat, 9:00AM-5:00PM ET Sun) 800-824-3005

**Visit our Website at: [www.leviton.com/ashrae](http://www.leviton.com/ashrae)**

©2024 Leviton Manufacturing Co., Inc. All rights reserved. Subject to change without notice.

G-9725E/A24-aa  
REV JAN 2024