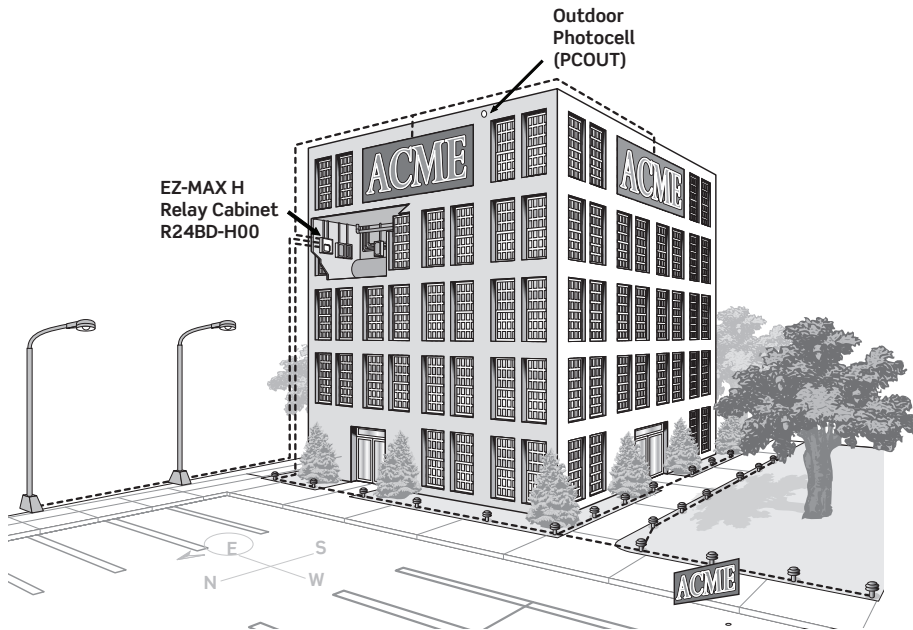
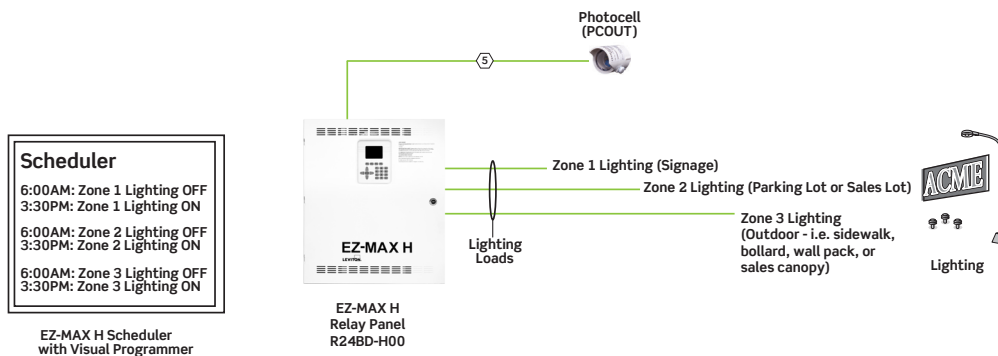


# EZ-MAX® H Applications

Reduce installation time and offer more flexibility than the old timer/contactor/enclosure solution. This application cookbook shows you how Leviton EZ-MAX H Relay Panels save you money during, before, and after installation.



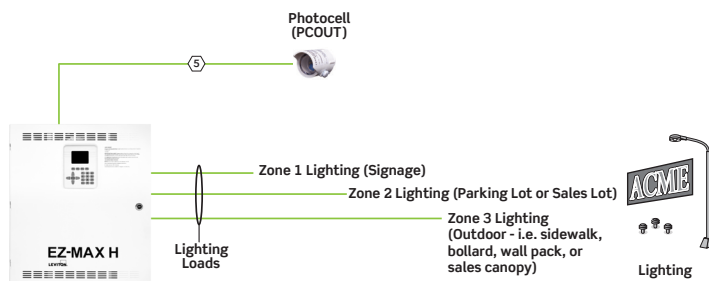
## Option 1: Outdoor Lighting Application with Scheduler & Photocell



## Outdoor Lighting Applications

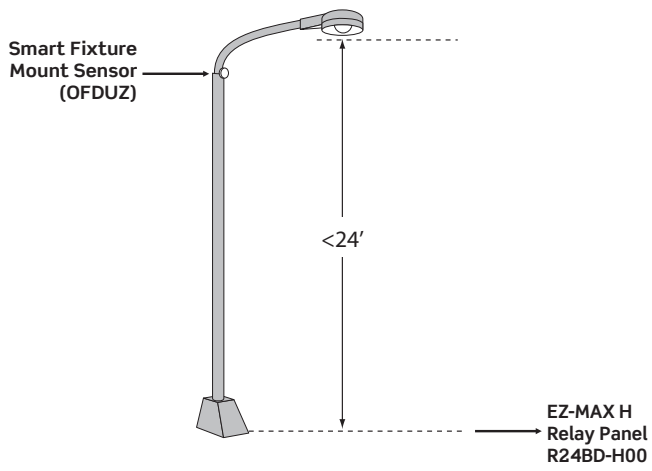
The EZ-MAX H Relay Panel uses a built in astronomical time clock that calculates longitude/latitude for predetermined cities and states. It also has a pre-configured exterior photocell mode.

## Option 2: Outdoor Lighting Application with Photocell & Motion Sensor

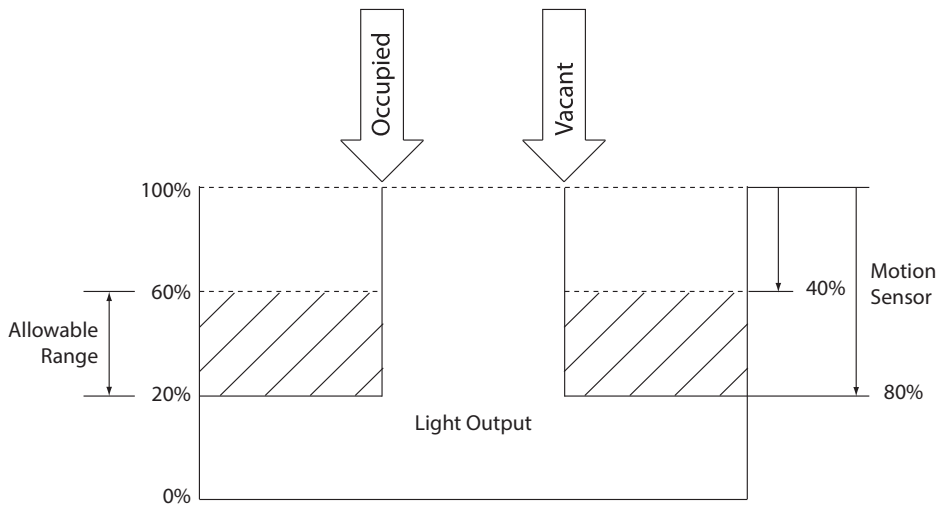


**Note:** Parking lot lighting is usually considered the most important safety and security feature in a parking facility. It deters crime and vandalism and creates a sense of personal safety.

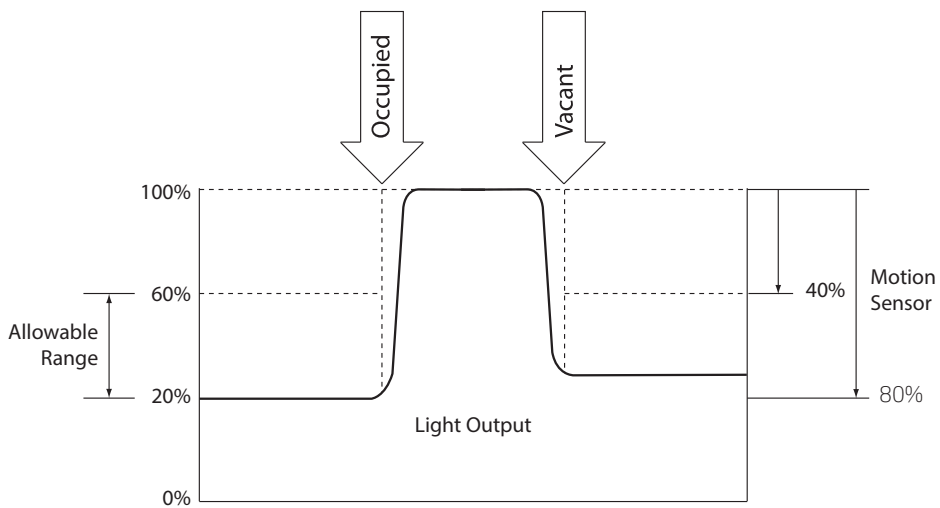
## Outdoor Lighting < 24 Feet Application - Switching vs. Dimming



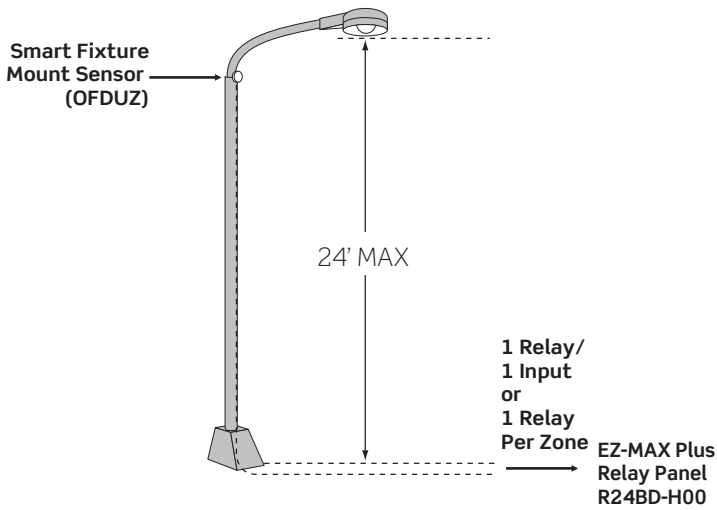
### Option 1: Outdoor Lighting < 24 Feet Application with Switching Capabilities



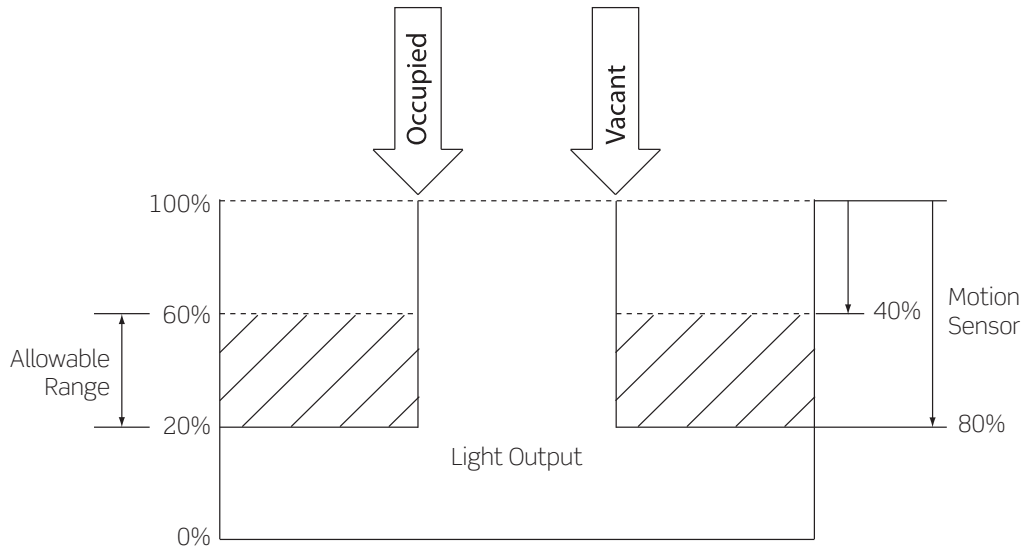
### Option 2: Outdoor Lighting < 24 Feet Application with Dimming Capabilities



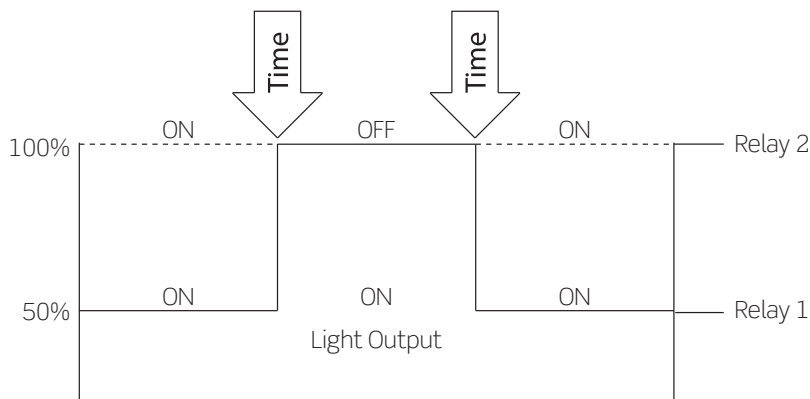
Part Night Outdoor Lighting Control Applications



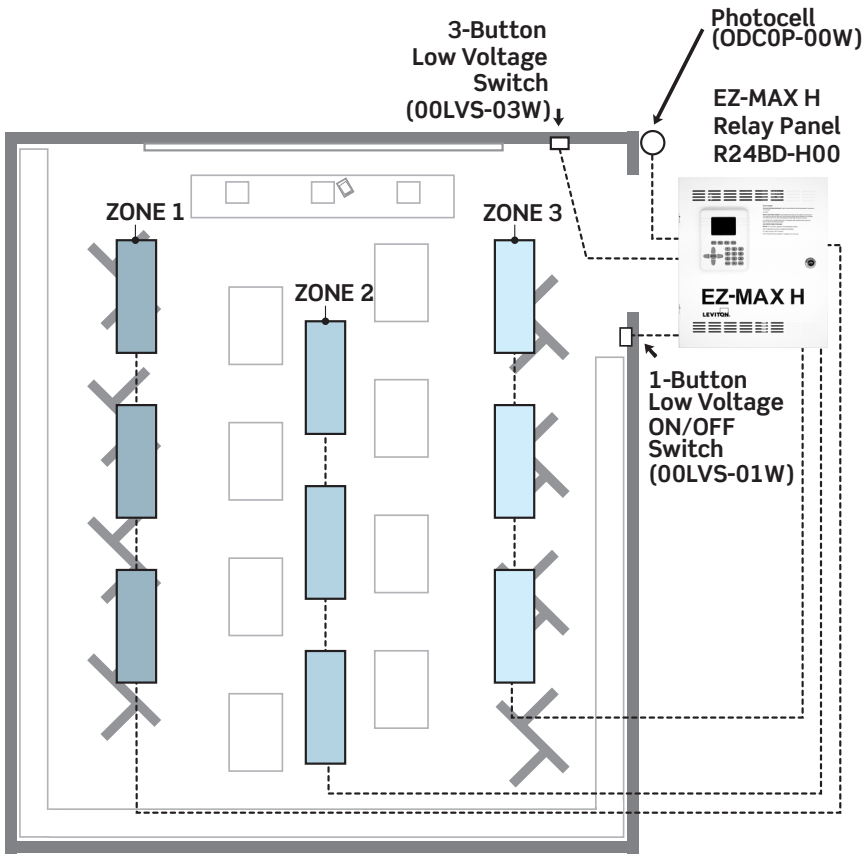
Option 1: Part Night Outdoor Lighting Control Application with Motion Sensor



Option 2: Part Night Outdoor Lighting Control Application with Centralized Control

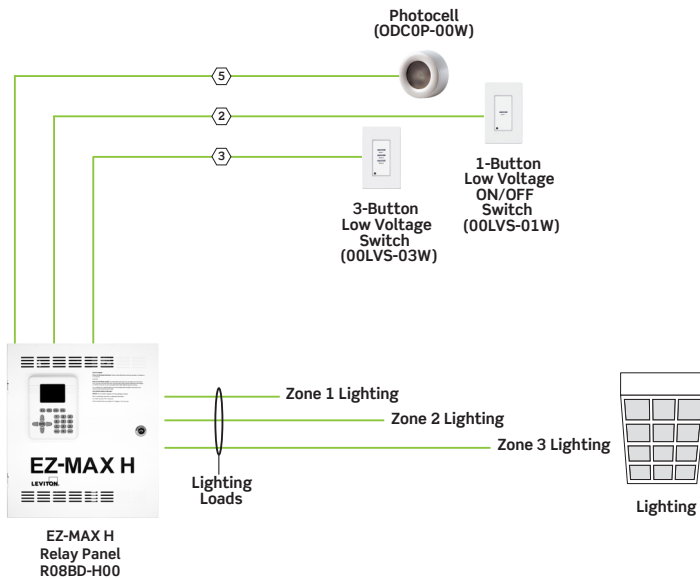


## Retail Application



## Retail Applications

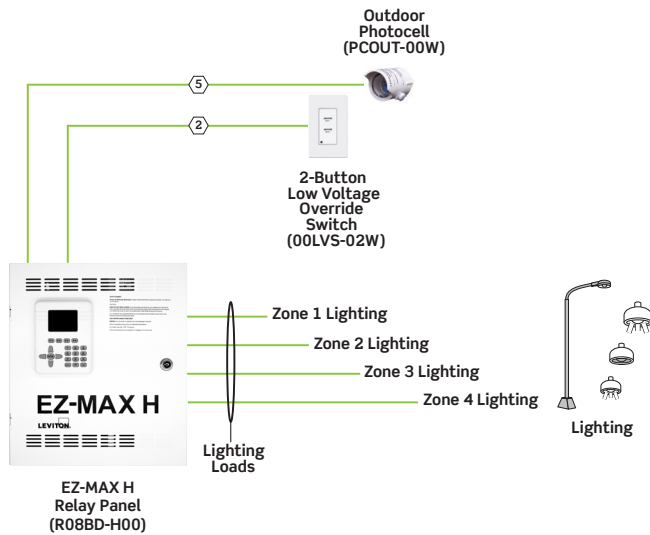
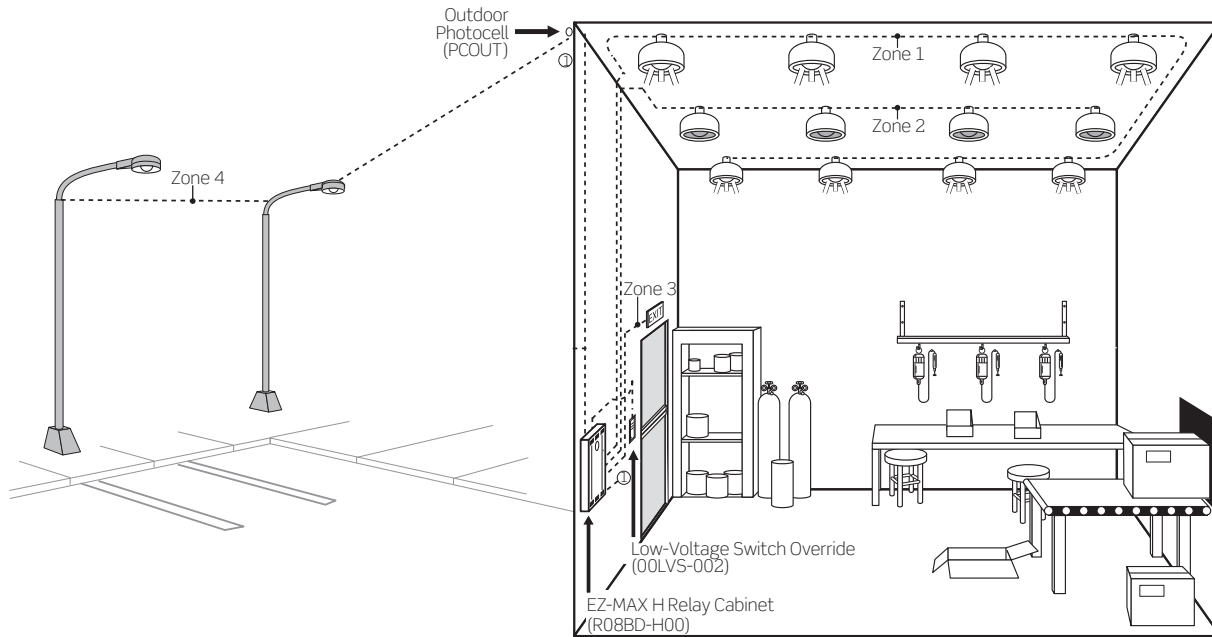
The EZ-MAX H Relay Panel has an easy to program scheduler module that quickly enables the installer to set up flexible time clock scenarios. Leviton configurable low voltage inputs make it easy to program a photocell and timed override switches (less than 5 minutes total).



### Wiring Callouts

- ② (6) #18 AWG STRANDED CU CONTROL CONDUCTORS LABELED +V, SW#, LD# & SPARE.
- ③ (8) #18 AWG STRANDED CU CONTROL CONDUCTORS LABELED +V, SW#, LD# & SPARE.
- ⑤ (3) #18 AWG STRANDED CU CONTROL CONDUCTORS LABELED +24V, COMMON & IN.

Factory Floor Application



Factory Floor Applications

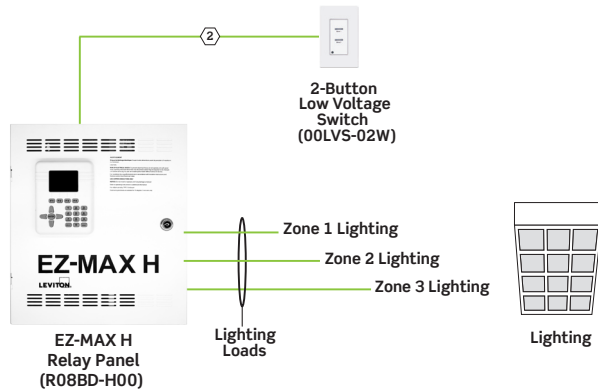
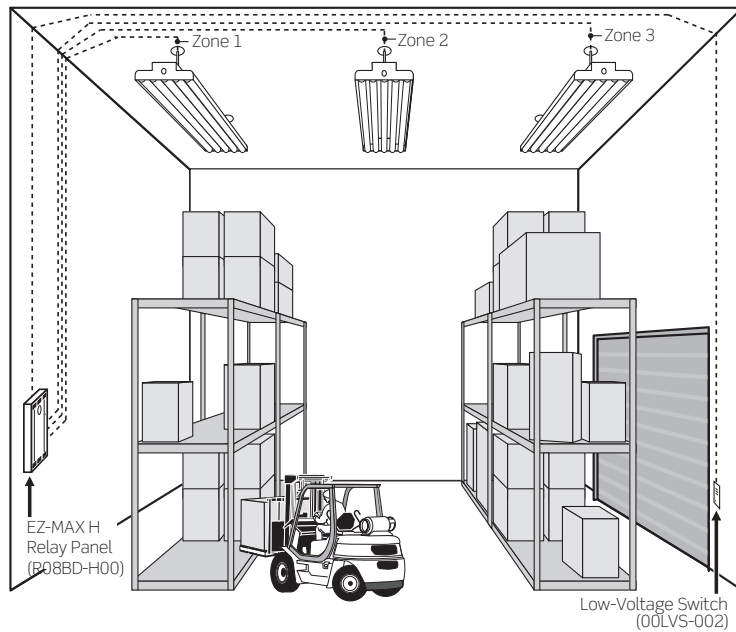
The EZ-MAX H Relay Panel has an easy to program scheduler module that quickly enables the installer to set up flexible time clock scenarios. Leviton configurable low voltage inputs make it easy to program a photocell and timed override switches (less than 5 minutes total).

Scheduler
6:00AM: Zone 1-3 Lighting ON
3:30PM: Zone 1-3 Lighting OFF

EZ-MAX H Scheduler with Visual Programmer

Wiring Callouts
② (6) #18 AWG STRANDED CU CONTROL CONDUCTORS LABELED +V, SW#, LD# & SPARE.
⑤ (3) #18 AWG STRANDED CU CONTROL CONDUCTORS LABELED +24V, COMMON & IN.

Warehouse Floor Application



Warehouse Floor Applications

The EZ-MAX H Relay Panel has an easy to program scheduler module that quickly enables the installer to set up flexible time clock scenarios. Leviton configurable low voltage inputs make it easy to program a photocell and timed override switches (less than 5 minutes total).

**Scheduler**

6:00AM: Zone 1-3 Lighting ON  
 3:30PM: Zone 1-3 Lighting OFF

EZ-MAX H Scheduler with Visual Programmer

**Wiring Callouts**

(2) (6) #18 AWG STRANDED CU CONTROL CONDUCTORS LABELED +V, SW#, LD# & SPARE.

Leviton Manufacturing Co., Inc. Lighting & Controls

10385 SW Avery Street, Tualatin, OR 97062 tel 800-736-6682 tech line (6:00AM-4:00PM PT Mon-Fri) 800-959-6004

Leviton Manufacturing Co., Inc. Global Headquarters

201 North Service Road, Melville, NY 11747-3138 tel 800-323-8920 tech line (8:00AM-10:00PM ET Mon-Fri, 9:00AM-7:00PM ET Sat, 9:00AM-5:00PM ET Sun) 800-824-3005

Visit our Website at: [www.leviton.com/ezmax](http://www.leviton.com/ezmax)

©2023 Leviton Manufacturing Co., Inc. All rights reserved. Subject to change without notice.