

GreenMAX™ DRC Multi-Channel Relay

Cat. Nos. DRDD7, DRDDS, and DINRK



WARNINGS:

- **TO AVOID FIRE, SHOCK, OR DEATH; TURN OFF POWER AT CIRCUIT BREAKER OR FUSE AND TEST THAT POWER IS OFF BEFORE WIRING!**
- To be installed and/or used in accordance with appropriate electrical codes and regulations.
- If you are unsure about any part of these instructions, consult an electrician.
- To avoid electrical overload, total connected lamp load shall not exceed output rating.
- This equipment permits more than one power supply output source.
- Do not mount near gas or electric heaters.

CAUTIONS:

- Use this device with copper or copper clad wire only.
- For indoor applications only.
- Test all network cables for proper pin-out configuration prior to interconnecting devices and systems.
- If you are unsure about any part of these instructions, consult an electrician.
- **SAVE THESE INSTRUCTIONS.**

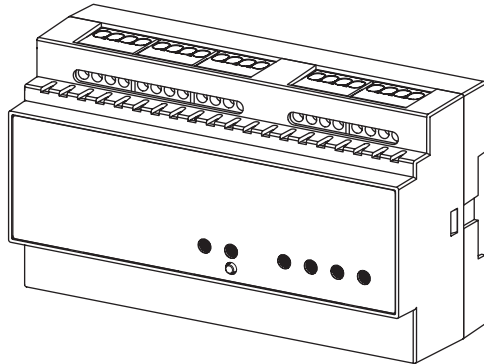
PK-A3467-10-00-0A

INSTALLATION INSTRUCTIONS

ENGLISH

Product Description

The GreenMAX™ DRC Multi-channel relay provides multiple channels of switching with optional 0-10V control for both dimming and switching of loads. This device communicates on the LumaCAN network and offers full integration with the DRC system.



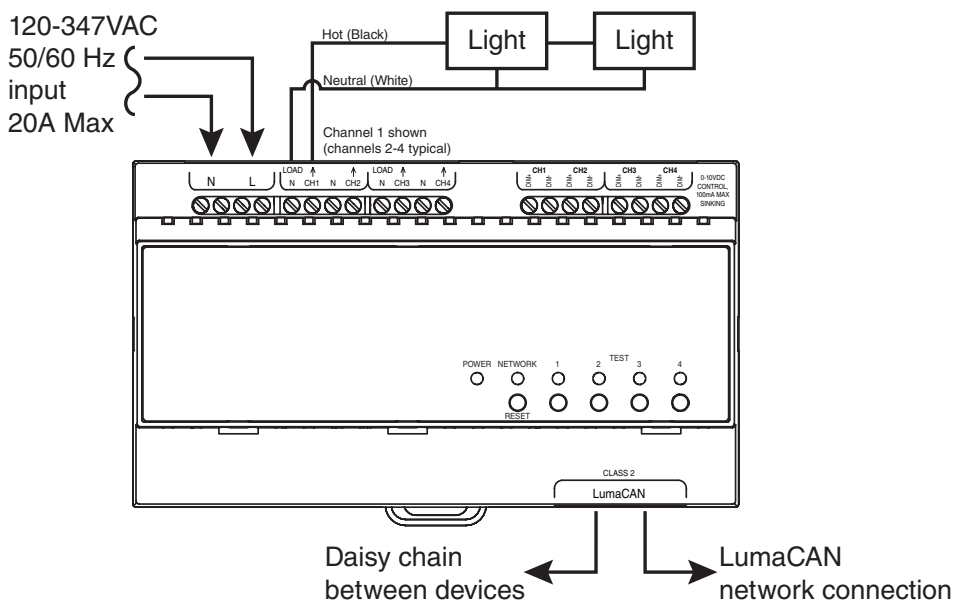
Before Installation

- Relay & modules should be installed in a suitable DIN rail enclosure.
- All mains wiring should be done in accordance with local authority wiring regulations.
- Appropriate isolation shall be maintained between Line and Low Voltage cabling.
- For more information on network wiring, see the Leviton GreenMAX DRC Installation Guide and training videos at www.Leviton.com.
- Confirm load type and amount is within product capabilities as not all load types are supported.

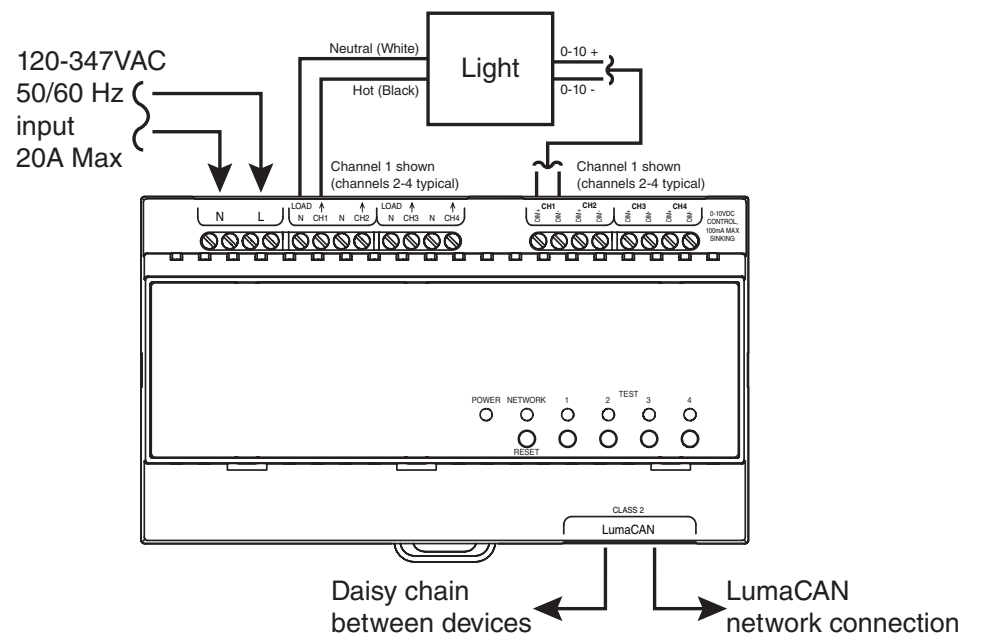
Wiring Diagrams

- All Neutral terminals are internally connected.
- DRDD7-D2U may be configured as 1 or 2 channel device. Factory default configuration is 1 channel setup for 2-pole load.
- DRDD7-D2U inputs may be same or different phases, however, neutral must be identical.
- On power loss, 0-10V loads go to full output.

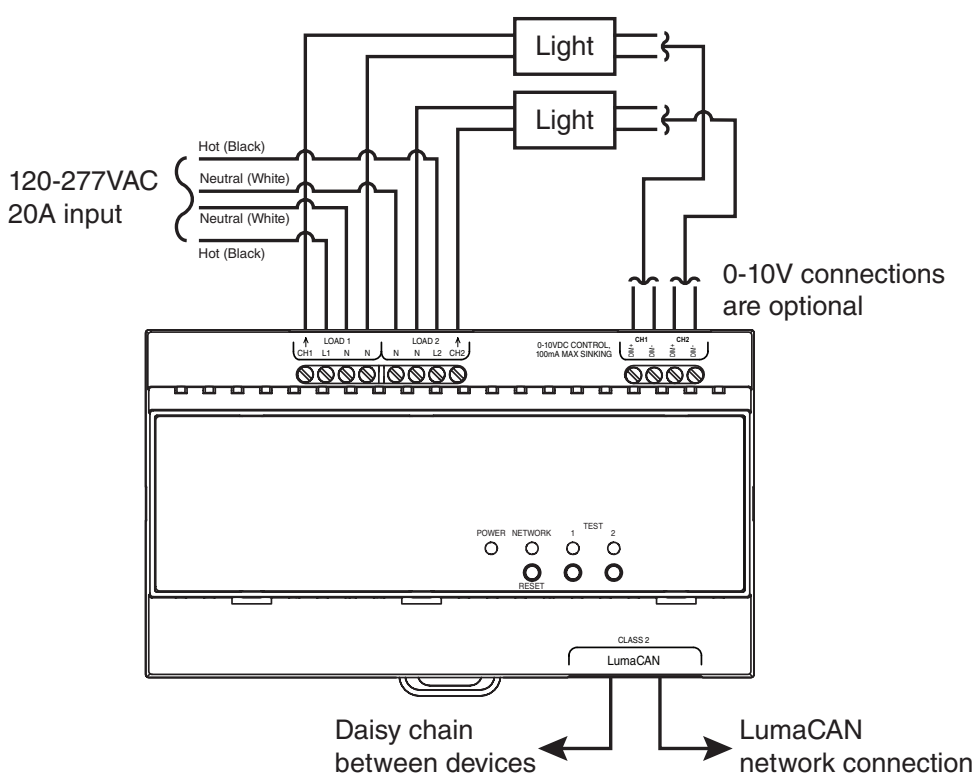
DRDD7-A4U, Four Channel, Switching Only



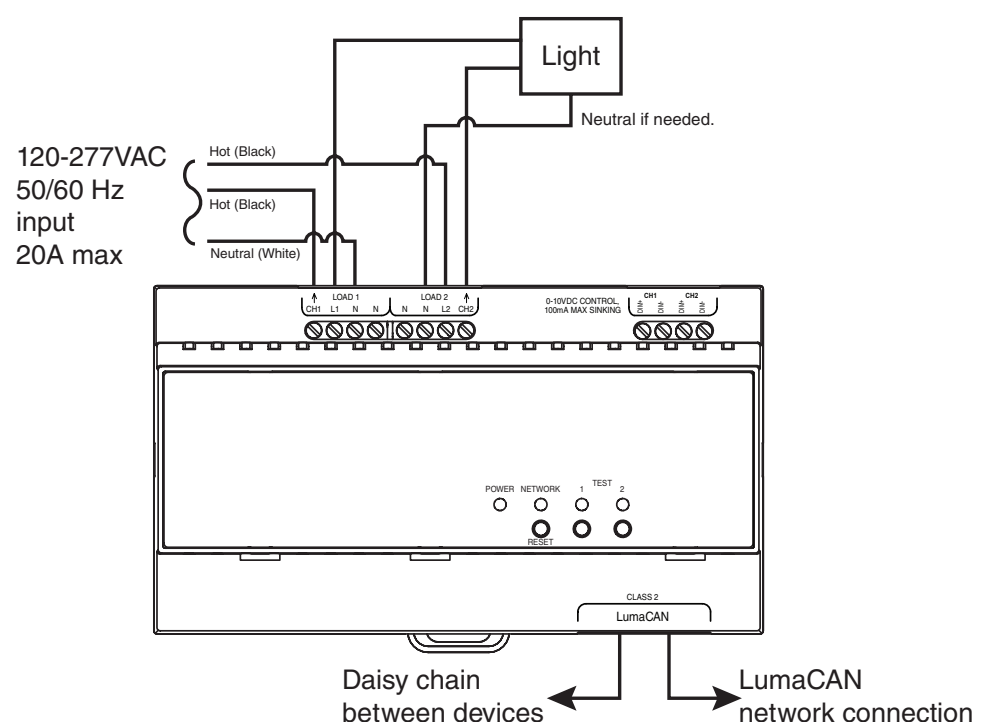
DRDD7-A4U, Four Channel, Switching and 0-10V operation



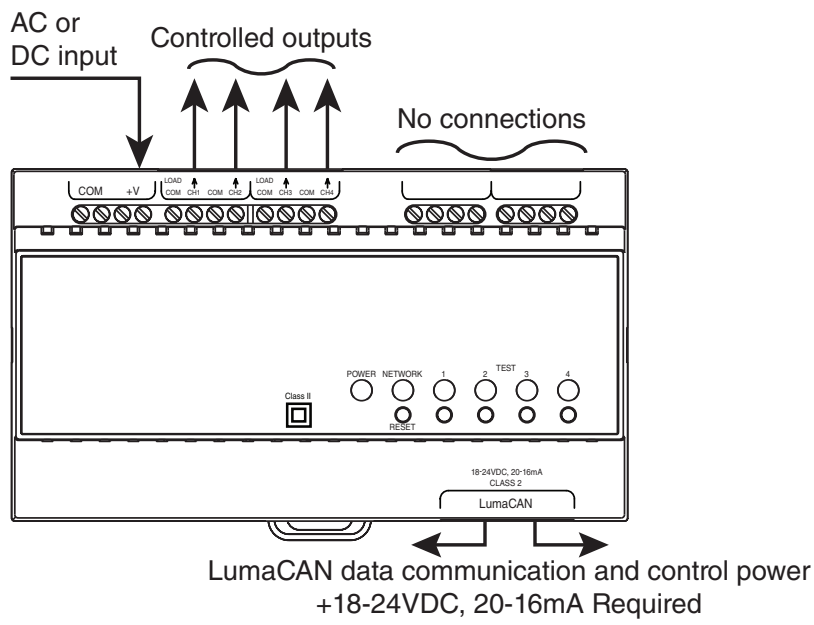
DRDD7-D2U 2 Channel Operation Load



DRDD7-D2U 1 Channel Operation, 2 Pole Load



DRDDS-A4L

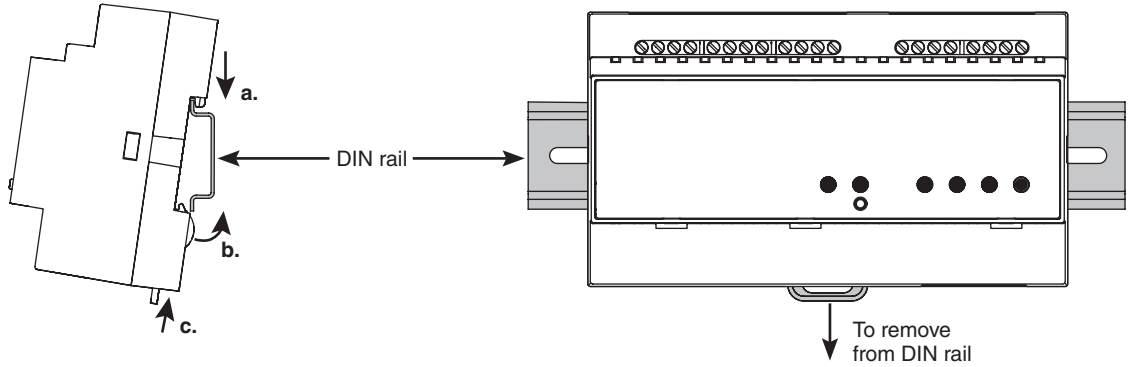


Installation

WARNING: TO AVOID FIRE, SHOCK, OR DEATH; TURN OFF POWER at circuit breaker or fuse and test that power is off before wiring!

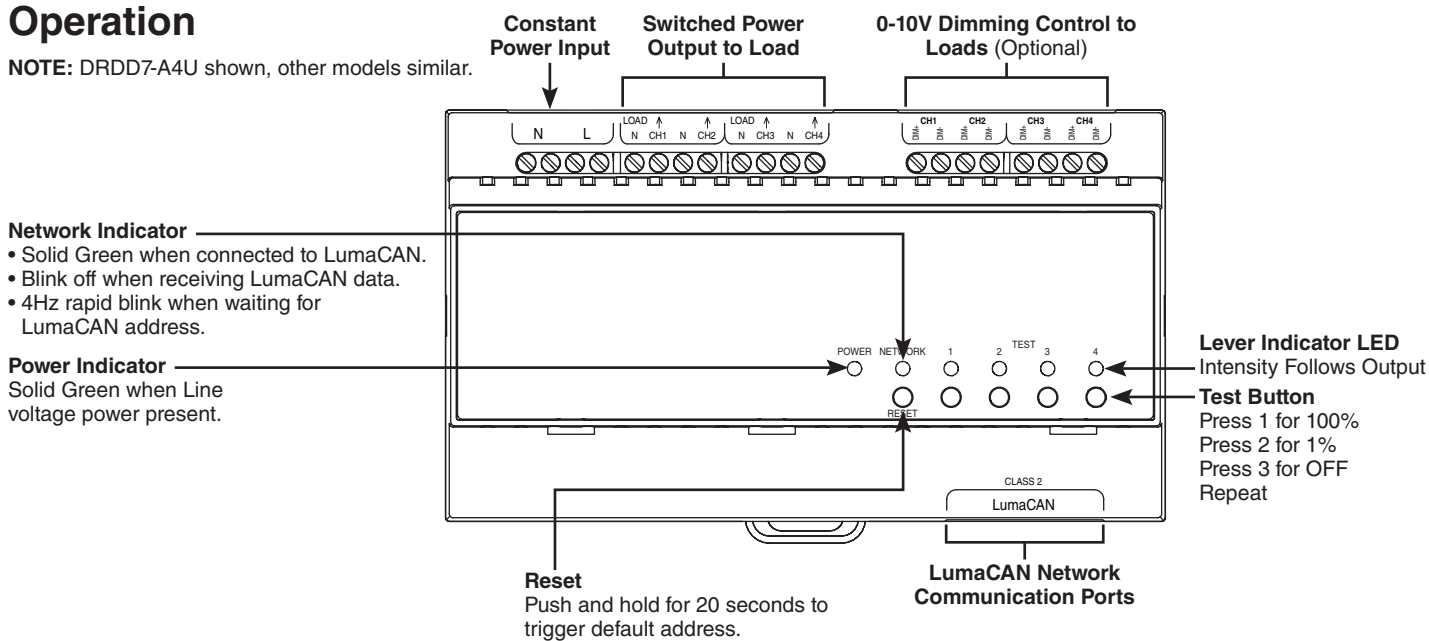
- Mount dimmer on DIN rail.
 - Line top of module against the back of the cabinet and slide the module down onto rail.
 - Push modules towards the rail until unit snaps onto din rail.
- Wire "feeder" input to Line Input Terminal.
- Connect loads to load output terminals and control output to control terminals as appropriate.
- Connect Network Wiring.

NOTE: A termination plug is connected to one of the two RJ-45's. DO NOT remove this plug unless you have a data connect to both LumaCAN connections. See "LumaCAN network Termination" below for more details.
- Power-up dimmer and confirm load operation using dimmer test switches. Your Dimmer is now ready for network configuration.



Operation

NOTE: DRDD7-A4U shown, other models similar.



Reset

Push and hold for 20-25 seconds to trigger factory default. Network LED off while holding button and blinks 2 times at 20 seconds. Network LED will blink rapidly while factory default is in process. If you release the switch after 25 seconds or before 20 seconds, factory default will not execute.

Configuration

There is no configuration that can be performed at this device, all configuration is performed using the GreenMAX DRC App and connected through a room controller.

NOTE: DRDD7-A20 can be configured as a 2 Channel (two 1-pole relays), or, 1 channel (single 2-pole relay) device. Factory default configuration is in 1-channel mode. Configuration can be changed by using the DRC App.

LumaCAN Network Termination

The last Node in a LumaCAN network must have the termination jumper/plug installed. Your unit ships with a termination plug (P/N #LCTRM) installed into one of the RJ-45's.

- If this device is at the end of the line, the jumper shall remain installed and the network cable shall be connected to the other plug.
- If this device will be in the middle of a network run, remove the plug and save for future use.
- If the plug was removed but is at the end of the line, the termination plug must be reinstalled.

Patents covering this product, if any, can be found on Leviton.com/patents.

FCC COMPLIANCE STATEMENT:

This equipment has been tested and found to comply with the limits for a Class A digital device, pursuant to part 15 of the FCC Rules. These limits are designed to provide reasonable protection against harmful interference when the equipment is operated in a commercial environment. This equipment generates, uses, and can radiate radio frequency energy and, if not installed and used in accordance with the instruction manual, may cause harmful interference to radio communications. Operation of this equipment in a residential area is likely to cause harmful interference in which case the user will be required to correct the interference at his own expense. Any changes or modifications not expressly approved by Leviton could void the user's authority to operate this equipment.

FCC SUPPLIERS DECLARATION OF CONFORMITY:

This device manufactured by Leviton Manufacturing, Inc., 201 N Service Road, Melville, NY, <http://www.Leviton.com>. This device complies with part 15 of the FCC Rules. Operation is subject to the following two conditions: (1) This device may not cause harmful interference, and (2) this device must accept any interference received, including interference that may cause undesired operation.

INDUSTRY CANADA COMPLIANCE STATEMENT:

This device complies with Industry Canada license-exempt RSS standard(s). Operation is subject to the following two conditions: (1) this device may not cause interference, and (2) this device must accept any interference, including interference that may cause undesired operation of the device.

TRADEMARK DISCLAIMER:

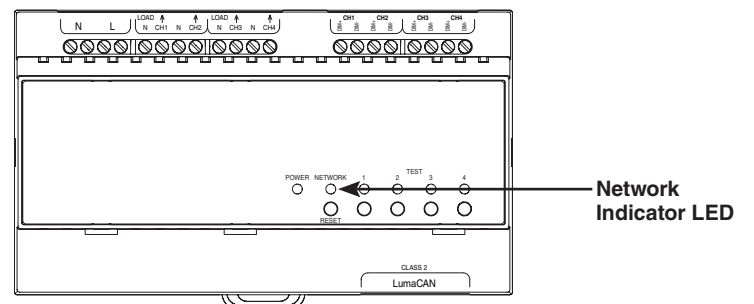
Use herein of third party trademarks, service marks, trade names, brand names and/or product names are for informational purposes only, are/may be the trademarks of their respective owners; such use is not meant to imply affiliation, sponsorship, or endorsement. Patents covering this Product, if any, can be found on Leviton.com/patents.

FOR CANADA ONLY

For warranty information and/or product returns, residents of Canada should contact Leviton in writing at **Leviton Manufacturing of Canada ULC** to the attention of the **Quality Assurance Department, 165 Hymus Blvd, Pointe-Claire (Quebec), Canada H9R 1E9 or by telephone at 1 800 405-5320.**

LumaCAN Network Addressing

- All devices on a LumaCAN network require a unique address, and sensors require a unique input. This device supports auto-addressing and auto-configuration which, is the preferred method of address assignment.
- A GreenMAX DRC Room Controller (software release 1.70 or later) will assign a unique address to all devices on the network. Manual addressing of this device is not supported.
- Network status LED will blink Cyan once every two seconds indicating that LumaCAN address has not yet been assigned.



LIMITED 5 YEAR WARRANTY AND EXCLUSIONS

Leviton warrants to the original consumer purchaser and not for the benefit of anyone else that this product at the time of its sale by Leviton is free of defects in materials and workmanship under normal and proper use for five years from the purchase date. Leviton's only obligation is to correct such defects by repair or replacement, at its option. For details visit www.leviton.com or call 1-800-824-3005. This warranty excludes and there is disclaimed liability for labor for removal of this product or reinstallation. This warranty is void if this product is installed improperly or in an improper environment, overloaded, misused, opened, abused, or altered in any manner, or is not used under normal operating conditions or not in accordance with any labels or instructions. **There are no other or implied warranties of any kind, including merchantability and fitness for a particular purpose,** but if any implied warranty is required by the applicable jurisdiction, the duration of any such implied warranty, including merchantability and fitness for a particular purpose, is limited to five years. **Leviton is not liable for incidental, indirect, special, or consequential damages, including without limitation, damage to, or loss of use of, any equipment, lost sales or profits or delay or failure to perform this warranty obligation.** The remedies provided herein are the exclusive remedies under this warranty, whether based on contract, tort or otherwise.

For Technical Assistance Call: 1-800-824-3005 (USA Only) or 1-800-405-5320 (Canada Only) www.leviton.com