

Smart Wallbox Multi-Technology Sensors: Phase Cut Dimming



Cat. No. ODP10-M1

WARNINGS:

- **TO AVOID FIRE, SHOCK, OR DEATH; TURN OFF POWER AT CIRCUIT BREAKER OR FUSE AND TEST THAT POWER IS OFF BEFORE WIRING!**
- To be installed and/or used in accordance with appropriate electrical codes and regulations.
- If you are unsure about any part of these instructions, consult an electrician.

CAUTION:

- For indoor applications only.
- To avoid damage to the product, DO NOT use disinfecting products, including foggers, sprays or other types of atomized cleaning agents. DO NOT spray liquid onto the product. To clean use a damp cloth with mild soap.
- **SAVE THESE INSTRUCTIONS.**

DI-010-ODP10-02A

INSTALLATION INSTRUCTIONS

ENGLISH

Product Description

Leviton Cat. No. ODP10-M1, Wall Switch and Dimming Occupancy Sensor, is designed to easily switch and dim incandescent and dimmable LED or CFL bulbs while monitoring a room for occupancy using Passive Infrared (PIR) and Microphonics detection technology. The PIR uses a specialized segmented lens that divides the field of view into sensor zones. When a person passes into or out of a sensor zone, the sensor detects motion and switches the lights ON. The Microphonics technology will listen for human activity in the space and will help keep lights ON while the space is occupied. Lighting levels can be manually adjusted using the dimming bar next to the switch. The lights will remain ON as long as there is an occupant moving through the sensor zones or while human activity in the space can be heard. ODP10-M1 can also be programmed to vacancy mode (Manual ON/Auto OFF) for installations where Manual ON switching is required for Title 24 applications. The ODP10-M1 provides a 180° field of view with a maximum coverage area of approximately 1100 square feet. The maximum sensing distance in front of the sensor is 30-40 feet, and 15-20 feet on either side. A "minor motion" zone detects small body movements and allows the lights to stay ON even though a person may not be moving or walking around the room. The remainder of the field of view, the "major motion" zone, exhibits a lesser degree of sensitivity and requires larger movements. Simple configuration can also be applied using push button setup for several popular preconfigured options. ODP10-M1 is also equipped with a photocell for daylighting which is programmable using the Leviton Smart Sensor App.

Before Installation

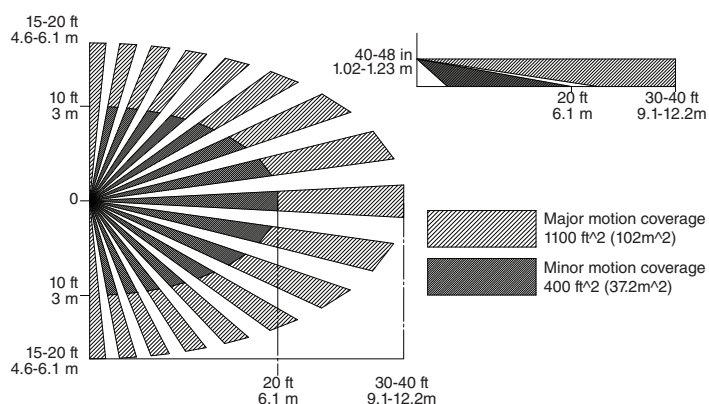
- Install into any single gang device wallbox.
- Supports multi-gang installations.
- Installation wire must be rated at least 90°C.
- Ivory, light almond, black, red, and gray faceplates are available with a color change kit (sold separately).
- Decora® wallplate not included.

FOR OPTIMAL PERFORMANCE:

The ODP10-M1 sensor lens establishes dozens of zones of detection. The sensor is sensitive to the heat emitted by the human body. In order to trigger the sensor, the PIR must be triggered first. Once ON, either sensing technology will keep the lights ON. Both PIR and Microphonic sensitivity can be adjusted to optimize detection ability based on room size. The sensor will turn OFF after 45 min with no PIR detection. The device is most effective in sensing motion across its field-of-view, and less effective sensing motion towards or away from its field-of-view. Keep this in mind when selecting the installation location. Note that occupancy sensors respond to rapid changes in temperature, so care should be taken not to mount the device near a climate control source (i.e. radiators, air exchanges, and air conditioners). Hot or cold drafts will look like body motion to the device and will trigger it if the unit is mounted too close. It is recommended to mount the Occupancy Sensor at least 6 feet away from a climate control source. In addition, it is also recommended NOT to mount the Occupancy Sensor directly under a large light source. Large wattage bulbs (greater than 100W incandescent) give off a lot of heat and switching the bulb causes a temperature change that can be detected by the device. Mount the Occupancy Sensor at least 6 feet away from large bulbs. If it necessary to mount the device closer, lower the wattage of the bulb directly overhead.

Horizontal Beam Diagram

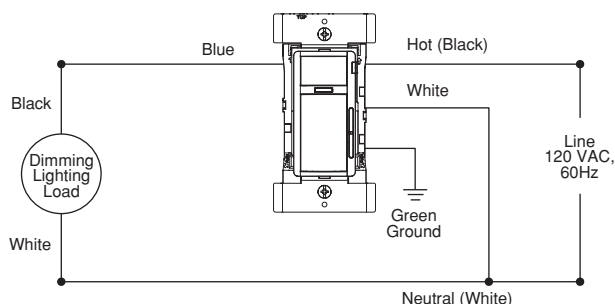
Vertical Beam Diagram



Installation

WARNING: TO AVOID FIRE, SHOCK, OR DEATH; TURN OFF POWER at circuit breaker or fuse and test that power is off before wiring!

1. Strip wires 0.75 in and connect as per wiring diagram. Ensure wires are firmly attached and there is no exposed copper.



2. Gently place the wires and your device into the wall box and attach with screws provided.
3. If desired, change switch color. (Sold separately.)
4. Restore power and test ON/OFF operation. Locator light should be ON when switch is in the OFF state.
5. Install Decora® wallplate (not included).

6. ODP10-M1 is designed to work and be fully functional right out of the box, settings can be adjusted using the Leviton Smart Sensor App or simple push button programming.

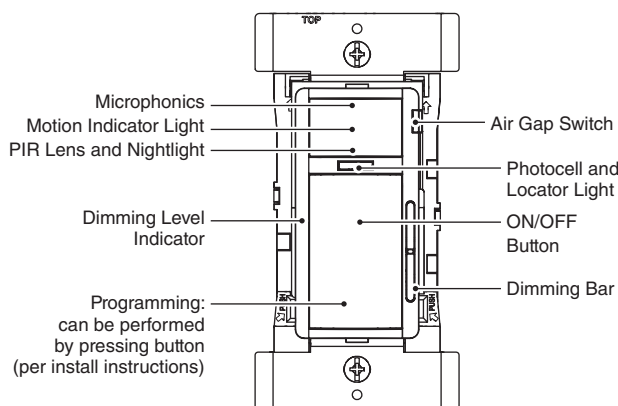
7. Using the Leviton Smart Sensor App or push button programming, you can now configure the sensor to your preferred settings. (Leviton Smart Sensor App, downloadable from Google Play™ or the Apple App Store®, using any Bluetooth™ enabled Android™ or iOS Device). Operating mode, sensor sensitivity, and sensor timeout can be quickly adjusted. For more advanced settings such as daylighting and nightlight configuration, the Leviton Smart Sensor App will need to be used for setup and adjustments.

8. Additional Smart Wallbox Sensors can be added to the room for 3-way, 4-way, or greater applications. The devices can be linked together to control the room in unison and expand the FOV coverage. Forming a system is simple using Leviton's Push to Pair (P2P) technology. A system of up to 5 devices can be built. To form the system:

- a. Ensure all devices are powered up and can control their own load where necessary. **NOTE:** Additional devices can also act as a remote and do not need to control a load.
- b. Press the ON/OFF button of one of the devices for 15 seconds and release the button when the LED blinks YELLOW. **NOTE:** After 5 seconds, light behind PIR lens will blink BLUE and then alternate between BLUE and RED before blinking YELLOW
- c. The Network is created/opened successfully when the device blinks BLUE/YELLOW. **NOTE:** wait to add additional device(s) until the initial device blinks BLUE/YELLOW; if there is more than one device already in the network, all devices in network will blink BLUE/YELLOW when the network is opened successfully.
- d. Go to additional device(s) you want joined to the initial device, and press the ON/OFF button until the LED blinks yellow. **NOTE:** only one room should go through P2P process at a time to avoid accidentally adding device(s) from adjacent rooms.
- e. Repeat as necessary for other devices (maximum of 5 devices).
- f. The P2P process is complete when the LED on the newly added device(s) blinks BLUE/YELLOW pattern and the load turns ON.

About Push to Pair (P2P):

- The P2P pairing process takes about 30 seconds to complete and the P2P enrollment process times out after 2 minutes. If you are not successful the first time, try again.
- If ON/OFF button is not released while LED is blinking YELLOW (between 15-20 seconds), the LED will then start blinking RED (between 20-25 seconds). Release the button and start over.
- Additional devices do NOT need to be on the same circuit, they will connect and operate together remotely. Additional devices do not need to be tied to a load and can act as a remote.
- For 3-way or more applications, the additional sensors can be used to expand zone capacity; sensitivity can be configured for each device based on room size and targeted FOV coverage.
- Additional devices can be added at any time—just repeat the process above to add additional devices to your system.
- If a device needs to be removed from the system, reset Bluetooth following the instructions under Configuration and Programming instructions.
- If unsuccessful pairing devices, try resetting the Bluetooth for each device; see Bluetooth reset under Configuration and Programming instructions.



Operation

PUSH-BUTTON: ODP10-M1 has a push button switch that will toggle the lights ON or OFF. When mode is set to Auto ON / Auto OFF, the lights will automatically turn ON when occupancy is detected and will turn OFF automatically after occupancy is no longer detected and the timeout has expired. If mode is set to Manual ON / Auto OFF the lights will only turn ON when the push button switch is pressed; the lights will turn OFF automatically after occupancy is no longer detected and the timeout has expired. If the lights are ON, the lights can be turned OFF when the button is pressed. The lights will stay OFF (regardless of motion detected) until the timeout expires. After the timeout expires, the lights will turn ON when the next motion is detected. This is useful for slide or film presentations.

DIMMING BAR: The lights can manually be dimmed up or down by pressing the dimming bar. To dim the lights down, press DOWN on the dimming bar and press UP to increase the brightness.

NOTES:

- The Motion Indicator light will blink RED for 1 second each time motion is detected.
- In Manual ON mode, the button must be pressed to turn the lights ON. In the absence of motion, the unit will time out and turn the lights OFF.

WEB VERSION

Configuration and Programming

- The ODP10-M1 Sensor is designed to work out of the box in default settings. Changes to these settings and additional product configuration can be performed using the Leviton Smart Sensor App, downloadable from Google Play or the Apple Store, using any Bluetooth enabled Android or iOS Device.
 - To pair to device using the Leviton Smart Sensor App:
 - Press and hold the ON/OFF button for 2-5 seconds; when the light behind the PIR lens blinks BLUE, release the button.
 - Open the Leviton Smart Sensor App and connect to the device.
 - The device can also be found by scanning for nearby devices; devices can be identified in the app to confirm you are connected to the right sensor.
 - Use the Leviton Smart Sensor App to:
 - Set operating mode to Auto ON/Auto OFF (default) or Manual ON/Auto OFF.
 - Adjust the sensitivity of the sensor to increase or decrease Field of view coverage area pending the room size (100% for larger spaces approaching 1100 sq ft).
 - Adjust timeouts (amount of time lights/load will turn OFF after occupancy is no longer detected).
 - Activate the night light and its operating mode; selection of custom night light color.
 - Dimming configuration including partial ON and partial OFF levels and timeouts.
 - Add daylighting and select target levels for daylighting.
 - Set a security code to lock configuration.
 - See Leviton Smart Sensor App for additional settings and other programming options.

- If the installer does not have access to a Bluetooth enabled Android or iOS Device, popular preset product configuration can also be made using simple push button commands:
 - Push the sensor button for 10-15 seconds (note: after 5 seconds, light behind PIR lens will blink BLUE and then alternate between BLUE and RED) and release when the PIR lens light is GREEN and the Locator Light is blinking GREEN. Push the button again to move to the next automatic setting using the table as a guide.
 - When at the desired setting, press and hold the ON/OFF button again for 5 seconds (until the GREEN LOCATOR light turns ON), when the button is released, the light will flash the number of times as the setting selected; the sensor is now saved in that configuration.

NOTES:

- Use the number of light blinks to determine which user mode the sensor is set to. If pressed more than 8 times, it will cycle back to the start of the list.
- Auto ON/Auto OFF (10 min timeout and 1 button press) is the DEFAULT MODE.

- Daylighting and Night Light:** The ODP10-M1 is equipped with a Photocell for Daylighting Hold-Off and also has a built in Night Light that can be turned ON and configured using the Leviton Smart Sensor App.

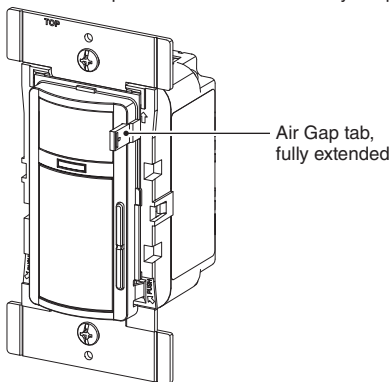
- Bluetooth Reset: Resets any security settings but preserves lighting and mode settings.
 - Push button on switch for approximately 20-25 seconds until the light behind PIR lens is flashing RED.

NOTE: after 5 seconds, light behind PIR lens will blink BLUE and then alternate between BLUE and RED; at 10-15 seconds will then blink GREEN.
 - When the light flashes RED, release the button.
 - The device will reset and turn off when complete.
 - When device turns back on, it will have no password set.

Replacing Lamps or Bulbs

The ODP10-M1 utilizes an Air Gap Isolation feature when replacing a lamp(s) connected to the ODP10-M1 for safety.

- Using a fingernail, pull the Air Gap tab out, until fully extended (as shown below). This engages the Air Gap, which stops electricity from flowing to the connected load.
- After replacing the lamp(s), push the Air Gap Switch back into sensor so that it returns to the original position. Ensure it is flush with the surface of the Sensor/Dimmer.
- The Sensor/Dimmer will return to its preset condition and is ready to operate.



STATEMENT CAUTION

Changes or modifications not expressly approved by Leviton Manufacturing Co., could void the user's authority to operate the equipment.

FCC COMPLIANCE STATEMENT:

This equipment has been tested and found to comply with the limits for a Class B digital device, pursuant to part 15 of the FCC Rules. These limits are designed to provide reasonable protection against harmful interference in a residential installation. This equipment generates, uses and can radiate radio frequency energy and, if not installed and used in accordance with the instructions, may cause harmful interference to radio communications. However, there is no guarantee that interference will not occur in a particular installation. If this equipment does cause harmful interference to radio or television reception, which can be determined by turning the equipment off and on, the user is encouraged to try to correct the interference by one or more of the following measures: Reorient or relocate the receiving antenna.

- Increase the separation between the equipment and receiver.
- Connect the equipment into an outlet on a circuit different from that to which the receiver is connected.
- Consult the dealer or an experienced radio/TV technician for help.

IC STATEMENT

This device complies with Industry Canada license-exempt RSS standard(s). Operation is subject to the following two conditions: (1) this device may not cause interference, and (2) this device must accept any interference, including interference that may cause undesired operation of the device.

Trademark Disclaimer

The Leviton logo and Decora are registered trademarks of Leviton Manufacturing Co., Inc. Google Play and Android are trademarks of Google, LLC. The Apple App Store is a registered trademark of Apple, Inc. Bluetooth is a trademark of Bluetooth SIG, Inc. Use herein of other third party trademarks, service marks, trade names, brand names and/or product names are for informational purposes only, are/may be the trademarks of their respective owners; such use is not meant to imply affiliation, sponsorship, or endorsement. No part of this document may be reproduced, transmitted or transcribed without the express written permission of Leviton Manufacturing Co., Inc.

RF EXPOSURE AND CO-LOCATION:

To comply with FCC OET Bulletin 65 and ISED RF exposure limits for general population / uncontrolled exposure this device should be installed and operated with a minimum distance of 7.9 inches (20 cm) between the radiator and your body. This transmitter must not be co-located or operated in conjunction with any other antenna or transmitter.

FCC SUPPLIERS DECLARATION OF CONFORMITY

Smart Wallbox Sensors manufactured by Leviton Manufacturing, Inc., 201 N Service Road, Melville, NY, http://www.Leviton.com. This device complies with part 15 of the FCC Rules. Operation is subject to the following two conditions: (1) This device may not cause harmful interference, and (2) this device must accept any interference received, including interference that may cause undesired operation.

FOR CANADA ONLY

For warranty information and/or product returns, residents of Canada should contact Leviton in writing at Leviton Manufacturing of Canada ULC to the attention of the Quality Assurance Department, 165 Hymus Blvd, Pointe-Claire (Quebec), Canada H9R 1E9 or by telephone at 1 800 405-5320.

LIMITED 5 YEAR WARRANTY AND EXCLUSIONS

Leviton warrants to the original consumer purchaser and not for the benefit of anyone else that this product at the time of its sale by Leviton is free of defects in materials and workmanship under normal and proper use for five years from the purchase date. Leviton's only obligation is to correct such defects by repair or replacement, at its option. For details visit www.leviton.com or call 1-800-824-3005. This warranty excludes and there is disclaimed liability for labor for removal of this product or reinstallation. This warranty is void if this product is installed improperly or in an improper environment, overloaded, misused, opened, abused, or altered in any manner, or is not used under normal operating conditions or not in accordance with any labels or instructions. There are no other or implied warranties of any kind, including merchantability and fitness for a particular purpose, but if any implied warranty is required by the applicable jurisdiction, the duration of any such implied warranty, including merchantability and fitness for a particular purpose, is limited to five years. Leviton is not liable for incidental, indirect, special, or consequential damages, including without limitation, damage to, or loss of use of, any equipment, lost sales or profits or delay or failure to perform this warranty obligation. The remedies provided herein are the exclusive remedies under this warranty, whether based on contract, tort or otherwise.

For Technical Assistance Call: 1-800-824-3005 (U.S. Only) or 1-800-405-5320 (Canada Only) www.leviton.com

SPECIFICATIONS

Input Voltage/Frequency	120VAC, 60Hz
Input Current	120V Standby: 0.2W Max: 0.5W+Load Power
Purpose of Control	Energy Management Equipment
IP Rating	IP20
Network Connections	BLE 4.2, BLE 5.0
Storage Temperature	-20°C to 85°C (-4°F to 185°F)
Pollution Degree	2
Impulse Voltage	2500V
Action Type	1
Disconnection Type	Micro

LOAD RATINGS

	Single	Two Devices	More than 2 Devices
LED,CFL, Electronic Ballast @ 120V	1000W	675W	600W
Magnetic Ballast @ 120V	1000W	675W	600W
Resistive, Tungsten @ 120V	1000W	675W	600W
Motor @ 120V	Not rated for use	Not rated for use	Not rated for use

INDICATOR LIGHT DESCRIPTIONS

LED	Location	Action / Definition
RED	Behind PIR Lens	Blinks ON for 1 second upon PIR detection
RED	Behind PIR Lens	Blinking RED: Device in Bluetooth reset; continues until reset is complete then stops
BLUE	Behind PIR Lens	Blinking BLUE LED: Device BLE in Pairing Mode
BLUE / RED	Behind PIR Lens	Alternating BLUE/RED: Device in Installation/Test Mode (Factory Only)
GREEN	Behind PIR Lens	Blinks ON for 1 second upon Microphonics detection
GREEN	Behind PIR Lens and Locator	GREEN light behind PIR lens / Locator LED blinking according to Menu Mode: Device is in Manual Configuration mode, number of LED blinks shows which mode device is in
GREEN	Behind PIR Lens, Locator and Dimming Bar on Side	Blinking GREEN LEDs indicates device is in identify mode
GREEN / BLUE	Behind PIR Lens	Alternating GREEN/BLUE during 1 minute Daylight Calibration
GREEN / BLUE	Behind PIR Lens	GREEN/BLUE blinks for 2 seconds every 30 seconds when Daylighting is active
YELLOW	Behind PIR Lens	Blinking YELLOW LED indicates device is in mesh pairing mode
YELLOW / BLUE	Behind PIR Lens	Alternating YELLOW / BLUE indicates device(s) have joined a network

Button Press	Locator Light Blinks	Operating Mode	PIR Sensitivity	Microphonics Sensitivity	Timeout	Daylighting and Night Light
1 *Default operation	1	Auto ON / Auto OFF	75%	75%	20mins	OFF & OFF
2	2	Auto ON / Auto OFF	75%	75%	10mins	OFF & OFF
3	3	Auto ON / Auto OFF	75%	OFF	20mins	OFF & OFF
4	4	Auto ON / Auto OFF	75%	50%	20mins	OFF & OFF
5	5	Auto ON / Auto OFF	100%	75%	20mins	OFF & OFF
6	6	Auto ON / Auto OFF	100%	100%	20mins	OFF & OFF
7	7	Manual ON / Auto OFF	75%	75%	20mins	OFF & OFF
8	8	Manual ON / Auto OFF	75%	75%	10mins	OFF & OFF
9	9	Manual ON / Auto OFF	75%	OFF	20mins	OFF & OFF
10	10	Manual ON / Auto OFF	75%	50%	20mins	OFF & OFF
11	11	Manual ON / Auto OFF	100%	75%	20mins	OFF & OFF
12	12	Manual ON / Auto OFF	100%	100%	20mins	OFF & OFF

What to do if...

- If sensor does not trigger when entering the room or space, increase the sensitivity level of the PIR and/or check the daylighting settings (increase the daylighting level).
- If the lights constantly stay ON even when room is unoccupied:
 - Check the Time Out setting and confirm set to desired time.
 - Try lowering the sensor Microphonics and/or PIR sensitivity; if problem persists, try lowering again.
 - Check for reflected heat/motion as sensor may be seeing motion through a window.
 - Check for adjacent HVAC and/or heater ducts.

REVISION