

GreenConnect Wireless Controlled Receptacle



Description

GreenConnect delivers simple wireless lighting control. Add wireless control to virtually any switching or dimming load. Compatible with various lamp fixtures and load control devices, GreenConnect offers a scalable and flexible wireless solution to meet the control needs of almost any space. No new control wiring, room controller, hub, or commissioning is required. Ideal for retrofits and new construction.

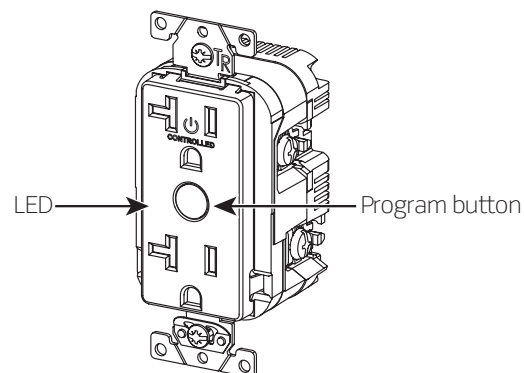
The GreenConnect Wireless 20A controlled receptacle (ZBR20) is a simple, energy code compliant plug load control solution. Pair the receptacle with a load controller and sensor in a GreenConnect network of up to 16 devices for ON/OFF control based on occupancy.

The receptacle is split with the top outlet controlled and the bottom outlet always on. The ZBR20 also allows for additional receptacles to be wired downstream and controlled together with the top outlet by the network.

Features

- Top outlet is controlled, bottom outlet is always ON
- Programming button can be used to manually toggle the controlled outlet ON/OFF
- Rated for 20A of full commercial loads
- Downstream control of additional receptacles
- Meets 2017 NEC code for tamper resistance
- Can be used to meet energy code requirements for IECC, ASHRAE 90.1, and 2022 Title 24 plug load controls

User Interface



Leviton Manufacturing Co., Inc. Lighting & Controls

10385 SW Avery Street, Tualatin, OR 97062 **tel** 800-736-6682 **tech line** (6:00AM-4:00PM PT Mon-Fri) 800-959-6004

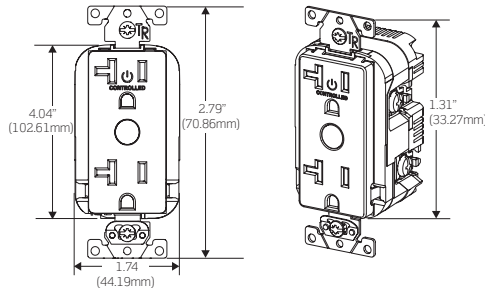
©2024 Leviton Manufacturing Co., Inc. All rights reserved. Subject to change without notice.

Product Data

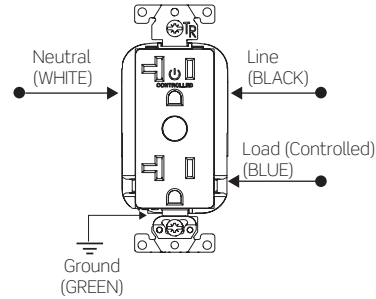
ZBR20-1SW



Dimensions



Wiring Diagram



Specifications

Electrical	
Input Voltage/Frequency	120VAC, 60Hz
Load Ratings	
General Purpose/Resistive @ 125V	20A Type: 2P, 3W, back-wired
Incandescent @ 125V	1500W
LED/E-Ballast @ 125V	5A
Motor @ 125V	1HP
IP Rating	IP10
Environmental	
Operating Temperature	20A rated up to 25°C, 15A rated up to 45°C
Storage Temperature	-4 to 140°F (-20° to 60°C)
Maximum Humidity	≤ 85%
Other	
Energy Codes	Can be used as a component in a system to meet energy code requirements for IECC, ASHRAE 90.1, and 2022 Title 24, Part 6 plug load control requirements
IP Rating	IP10
Network Connections	2.4GHz, IEEE 802.15.4, up to 75' range between devices
Weight	0.50lbs (0.22kg)
Warranty	5-Year

Ordering Information

GreenConnect Wireless Receptacle	
Cat. No.	Description
ZBR20-1SW	GreenConnect Wireless 20A Duplex Receptacle with downstream control; 120V, 50/60Hz

Leviton Manufacturing Co., Inc. Lighting & Controls

10385 Avery Street Tualatin, OR 97062 **tel** 800-736-6682 **tech line** (6:00AM-4:00PM PT Monday-Friday) 800-954-6004

Leviton Manufacturing Co., Inc. Global Headquarters

201 North Service Road, Melville, NY 11747-3138 **tel** 800-323-8920 **tech line** (8:00AM-10:00PM ET Mon-Fri, 9:00AM-7:00PM ET Sat, 9:00AM-5:00PM ET Sun) 800-824-3005

Visit our website at: www.leviton.com/greenconnect

©2024 Leviton Manufacturing Co. Inc. All rights reserved. Subject to change without notice.

LES-G-10688/L24-aa