

GreenConnect Wireless Passive Infrared (PIR) Occupancy Sensor & Photocell



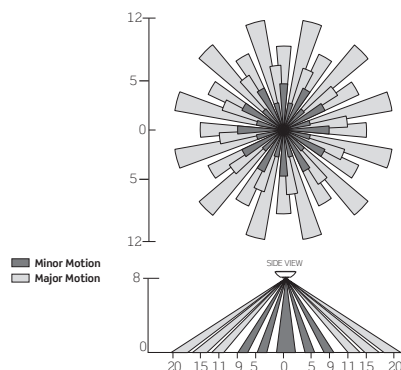
Description

GreenConnect delivers simple wireless lighting control. Compatible with virtually any switching or dimming load, GreenConnect offers a scalable and flexible wireless solution to meet the control needs of any space. Ideal for new construction or retrofits with no new control wiring, room controller, hub, or commissioning required.

The GreenConnect Wireless Passive Infrared (PIR) Occupancy Sensor and Photocell (ZC015) is a wireless, ceiling-mount, battery-powered communication device used to detect motion and to measure light levels to control lighting loads accordingly when paired with a GreenConnect Load Controller.

The ZC015 uses innovative sensing technology with a digital PIR sensor located directly behind a unique multi-zone optical lens. ZC015 is also equipped with a high-resolution digital photocell for applications that require daylight harvesting or ambient light hold-off. The ZC015 is truly wireless, enabling flexible placement wherever needed without the complexity of moving or installing new wiring.

Field of View Diagram



Features

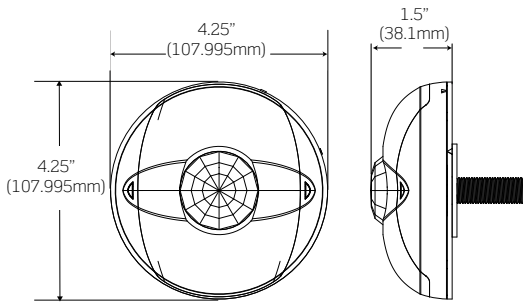
- True wireless—place the sensor in the optimal location for any application to capture minor motion and reduce false OFFs
- Wireless mesh network—self-healing mesh network has no hardwired backbone and connects all products together for a more robust and reliable wireless system
- No additional wiring—battery-powered wireless technology eliminates the need to pull additional wire, making installation quick and easy and increasing labor savings with little to no impact to business during conversion
- 7-10 year battery life
- Optional 24VDC adapter for use with a power pack
- Walk test mode
- Continually monitors changes in light levels for full daylight harvesting and ambient light hold-OFF
- Easy mounting—easily mount to ceiling or surface using a ceiling tile stem, surface mount screws, or double-sided tape
- Advanced 1,500 sq. ft. field-of-view—superior detection for parallel and perpendicular motion; innovative technology detects motion moving directly toward the sensor; 360° rotation to fine tune the field-of-view
- Complies with IEEE 80.15.4 standards for domestic and international wireless networks
- Code compliant energy management functionality—can be used as a component in a system to meet energy code requirements for IECC, ASHRAE 90.1, and 2022 Title 24, Part 6 space/area control, dimming, manual-ON/OFF, occupancy/vacancy control and automatic shutoff requirements

Leviton Manufacturing Co., Inc. Lighting & Controls

10385 SW Avery Street, Tualatin, OR 97062 **tel** 800-736-6682 **tech line** (6:00AM-4:00PM PT Mon-Fri) 800-959-6004

©2024 Leviton Manufacturing Co., Inc. All rights reserved. Subject to change without notice.

Dimensions Diagram



Specifications

Electrical	
Frequency	2.4Ghz
Range	Up to 75' between wireless devices
Transmission Interval	15 seconds
Battery Life	7-10 years
Battery Type	Lithium 3.6V non-rechargeable battery (Jauch ER14505J-S, EVE ER14505, or SAFT LS14500)
Power Consumption	40mA at 3.3V
Environmental	
Operating Temperature Range	32° to 104°F (0° to 40°C)
Storage Temperature Range	-4° to 158°F (-20° to 70°C)
Relative Humidity	0-95%, non-condensing
Usage	Indoors only
Other	
Mounting Height	8-12' (2.43m - 3.65m)
Energy Codes	Can be used as a component in a system to meet energy code requirements for IECC, ASHRAE 90.1, and 2022 Title 24, Part 6 space/area control, dimming, manual-ON/OFF, occupancy/vacancy control and automatic shutoff requirements
Listing	FCC ID: QOQGM210P, IC: 5123A-GM210P, IC Certified (Canada) Listed
Weight	0.51lbs (0.23kg)
Warranty	5-year

Ordering Information

GreenConnect Wireless PIR Occupancy Sensor	
Cat. No.	Description
ZC015-BIW	GreenConnect Wireless PIR Occupancy Sensor and Photocell, 1,500 sq ft
SLI24-000	Optional 24VDC Power Adapter, for use with Power Packs

Leviton Manufacturing Co., Inc. Lighting & Controls

10385 SW Avery Street, Tualatin, OR 97062 **tel** 800-736-6682 **tech line** (6:00AM-4:00PM PT Mon-Fri) 800-959-6004

Leviton Manufacturing Co., Inc. Global Headquarters

201 North Service Road, Melville, NY 11747-3138 **tel** 800-323-8920 **tech line** (8:00AM-10:00PM ET Mon-Fri, 9:00AM-7:00PM ET Sat, 9:00AM-5:00PM ET Sun) 800-824-3005

Visit our Website at: www.leviton.com/greenconnect

©2024 Leviton Manufacturing Co., Inc. All rights reserved. Subject to change without notice.

LES-G-10679A/L24-aa
REV DEC 2024