

# Smart Ceiling Mount PIR and Multi-Technology (M/T) Sensors (CMS)



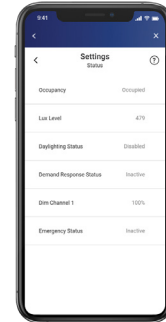
PIR-Only Sensor



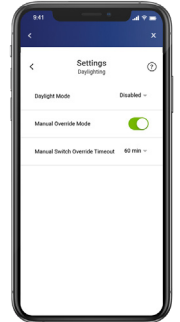
Multi-Tech Sensor



Light Pipe



Status Screen



Daylighting Screen

## Description

The Leviton Smart Ceiling Mount Sensors (CMS) offer high performance, code compliant, advanced room configuration in one easy-to-install device. Installers can download the Smart Sensor App for quick-and-easy room configuration and testing with any iOS or Android device.

The CMS's features meet advanced design requirements for standalone occupancy/vacancy sensing and ambient light hold-OFF applications offering easy configuration and operational testing for occupancy/vacancy sensing, options for one or two ambient light hold-OFF zones, area control, demand response, plug load or receptacle control, and UL924 emergency lighting.

## Easy Room Configuration

CMS allows you to configure the sensor based on how the space is used and to meet energy code requirements. All configuration is done using the Smart Sensor App. The Leviton Smart Sensor App is compatible with both Android and iOS smartphones or tablets. The app is easy to use with simple, intuitive on-screen menu options.

- Ambient Light Hold-OFF Calibration (AutoCal)
- Passive infrared (PIR) and ultrasonic (U/S) sensor sensitivity adjustments to reduce false ONs and false OFFs
- Ability to wirelessly network with other CMS and Smart Room Controllers to expand FOV coverage
- Define inputs as manual control, demand response, or emergency lighting
- PLVSW Low Voltage Keypads and SBK00 Wireless Switch can be used in manual-ON applications

## Features

- Can be used to comply with IECC, ASHRAE 90.1, and 2022 Title 24, Part 6 requirements:
  - Occupancy/vacancy sensing
  - Demand response
  - Plug load or receptacle control
- Available in 450 to 2,000 square foot field-of-view units
- All configuration is done using the Smart Sensor App
- For larger spaces, up to five Smart Ceiling Mount Sensors and Smart Ceiling Mount Room Controllers can be connected wirelessly to expand the FOV up to 10,000 sq ft
- Passive infrared (PIR) and multi-tech (PIR + ultrasonic) models available
- Manual area control available for 3-way/multi-way applications with the PLVSW Low Voltage Keypads or SBK00 Wireless Switch (must all be same style)
- For dual relay models (AC205-DMW and AC220-DMW), two keypads can be connected for manual control of each relay/lighting zone
- UL924 listed for emergency lighting:
  - Can be connected to BMS (Building Management System) or any contact closure to force the lights full ON in case of emergency
- Ambient light hold-OFF
- AutoCal feature—Digital Daylighting Level automatically calibrates photocell to specified lighting design
- Two light pipes are included for both open (angled) and closed loop (flat and angled) ambient light hold-OFF
  - The angled light pipe provides directional fine tuning and alignment to natural light source for closed loop applications
- Includes two interchangeable lenses for 8-12' mounting heights and 13-20' mounting heights as well as aisleway masks

## Features (Cont'd)

- Ladderless Commissioning™ and programming through Bluetooth-enabled iOS or Android smart devices
- Visual RGB LED indicator for status and troubleshooting
- Scheduling:
  - Change level, operating mode, daylighting mode (based on day of week and/or time of day)
- Easily test room configuration using a smart device as a calibration, measurement and testing tool
- Connect an OPP20 Power Pack to a two circuit room controller for a plug load control solution
- Industry-exclusive H.I.S. (High Inrush Stability) technology
  - Tested to 1.2 million switching cycles under standard loads
  - Zero-crossing circuitry for extended life of the relay
  - Latching relay provides dependability and robust performance for all load types
- Industry-exclusive “fail safe” circuitry: in the event of product failure, return-to-close feature causes the relay to default ON which eliminates life safety concerns

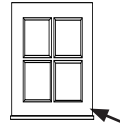
## App Features

Download the Smart Sensor App to an iOS or Android smart device and pair to the CMS using Bluetooth technology.

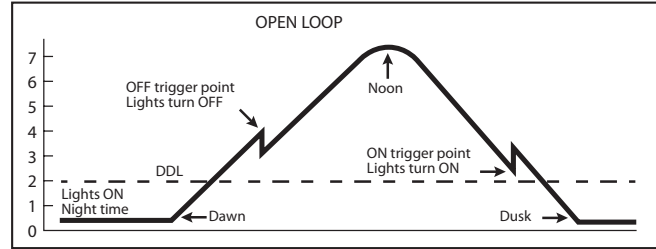
- Create custom templates for quick multi-room replication of sensor settings
- Select between auto-ON/auto-OFF and manual-ON/auto-OFF
- Set occupancy sensor time-out
- Enable/disable receptacle/HVAC control for secondary relay
- Initiate field-of-view walk test
- Select sensing technology for either PIR, U/S or multi-tech (PIR and U/S)
  - Set PIR or U/S sensitivity independently
- Monitor status of all inputs
  - Integrated occupancy sensor(s)
  - Integrated photocell
  - Local wall keypad
  - Plug load
  - Emergency UL924
  - Demand response
- Enable 24 hour automatic calibration
- Set the offset of the secondary daylighting zone based off the primary daylighting zone
- Daylighting adjustments: open loop, closed loop, increase/decrease DDL
- Manually adjust DDL set point to fine tune for room type after auto-configuration
- Over-the-Air (OTA) updates: allows user to update SRC firmware in the field via the App
- Reset to factory defaults

## Photocell Operation

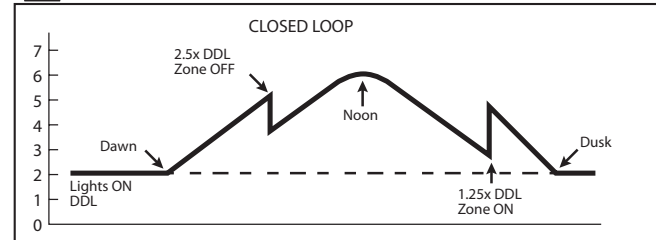
### Open Loop - Angled Light Pipe



Note: Long side of angled light pipe must face toward natural light source (window)

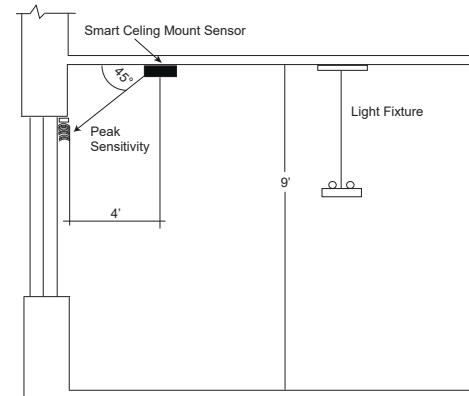


### Closed Loop - Flat Light Pipe



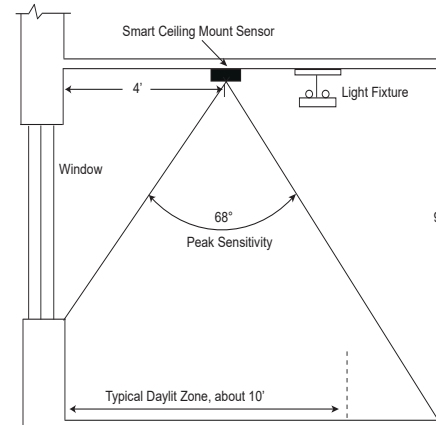
## Photocell Placement\*

### Open Loop Application - Angled Light Pipe



\*May require more than one occupancy sensor for total room coverage

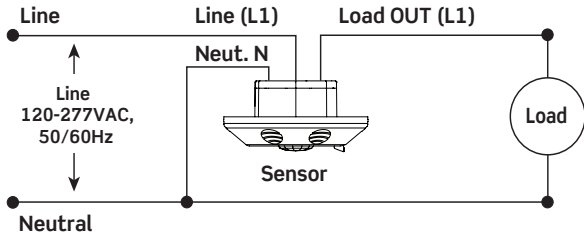
### Closed Loop Application - Flat Light Pipe



## Wiring Diagrams

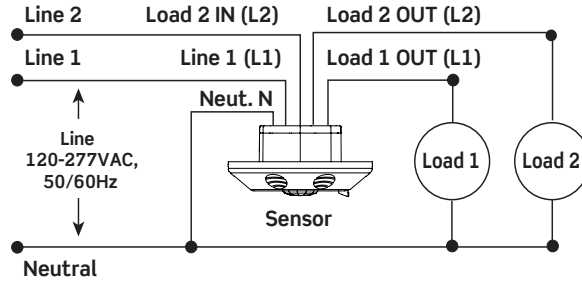
### Single Relay Models

Line Voltage



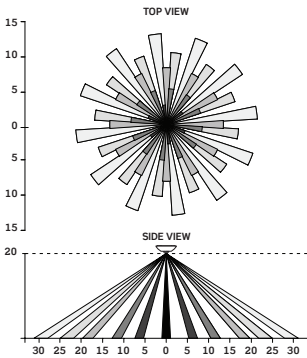
### Dual Relay Models

Line Voltage (both lines MUST be fed from the same phase)

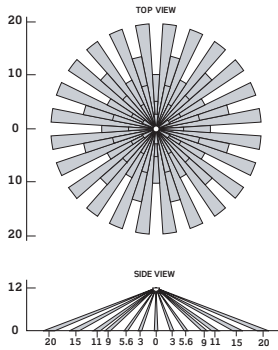


0-10V runs CLASS 1 or CLASS 2 per NEC standards

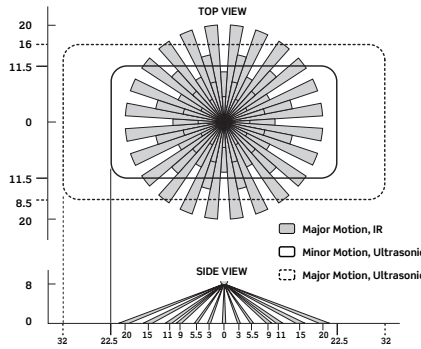
## Field of View Diagrams



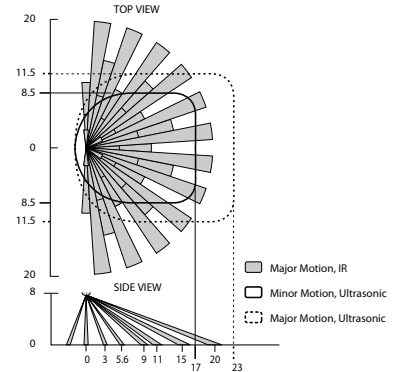
Mid-Range Lens  
for PIR & Multi-Tech Models at  
20' Mounting Heights  
(Red)



Extended Range Lens  
for PIR Models  
(Black)



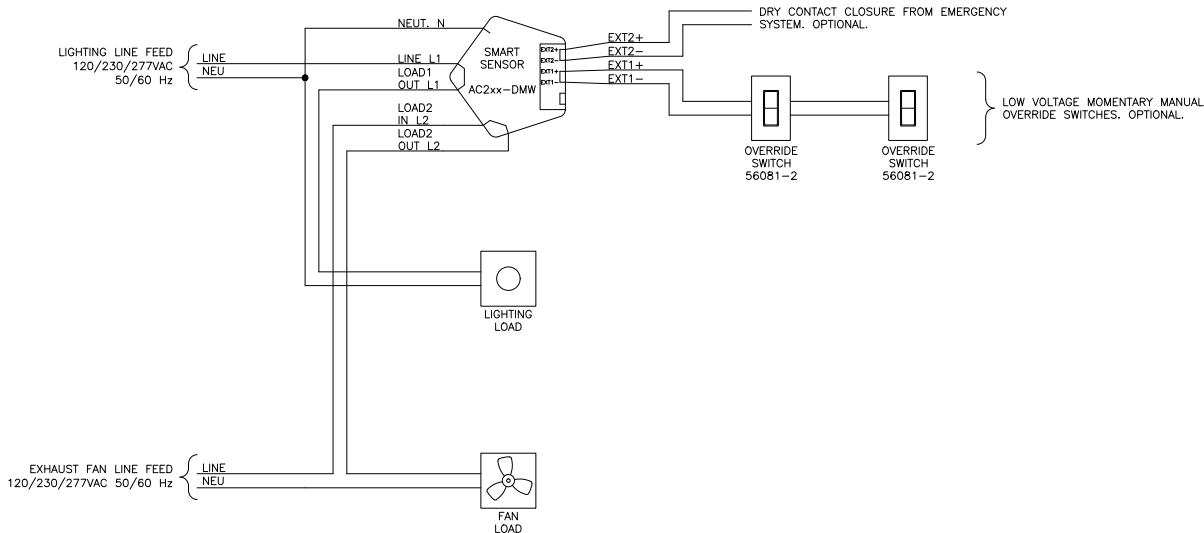
Extended Range Lens  
for Multi-Tech Models  
(Black)



Extended Range Lens  
for Multi-Tech Models  
with 180° Mask  
(Black)

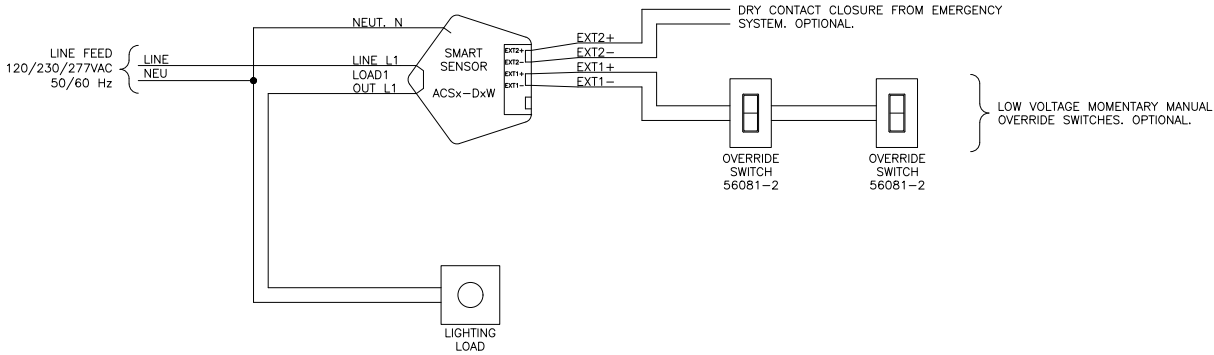
## Application Diagrams

### Dual Relay CMS With Override Switch and UL924 Connection



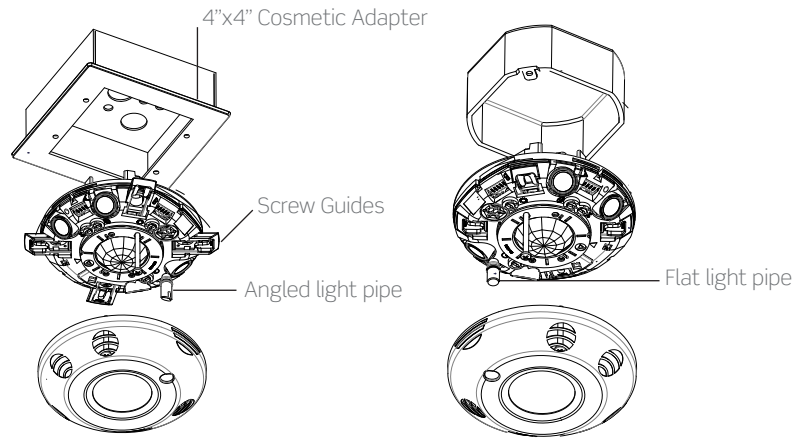
## Application Diagrams - (Cont'd)

### CMS with 3-way Override Switch and UL924 Connection

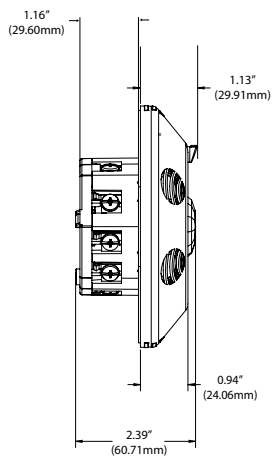


## Installation

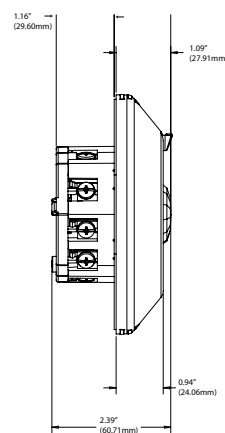
- Easy installation into junction boxes with Leviton-exclusive screw guides, coasters and terminal blocks
- Front cover snaps on and off for ease of installation
- Sensors conveniently mount to a standard 4" x 4" square or octagon electrical box per NEC standards. The square junction box requires a mud ring
- Color matching via paintable front cover - does not affect warranty as long as the room controller is properly masked



## Dimensions



Multi-Tech  
Occupancy Sensor

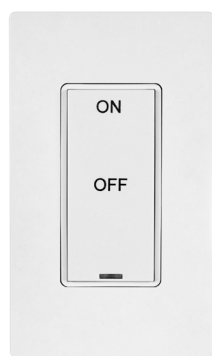


PIR-Only  
Occupancy Sensor

**Wireless Companion Switch and Low Voltage Keypads\***



SBK00-CSW



PLVSW-1LW



PLVSW-2LW

\*Available in 1 or 2 button options. See ordering information or the Low Voltage Keypads data sheet for more information.

**Specifications**

<b>Electrical</b>			
Input Voltage	120V, 50/60Hz	230V, 50Hz	277V, 50/60Hz
Load Rating	8A, LED/Electronic Ballast, 800W/VA, Tungsten, Ballast, 1/4 HP Motor	6A/6AX, LED/Electronic Ballast, Magnetic Ballast, 1,200W/VA, 1/3 HP Motor	5A, LED/Electronic Ballast, 1,200VA, 1/3 HP Motor
Current Consumption	60-30mA		
<b>General</b>			
Daylighting Zones	Single and dual zone ambient light hold-OFF available		
Field of View	PIR		MT
	450 sq ft to 1,500 sq ft with included lenses		500 sq ft and 2,000 sq ft
Ultrasonic Frequency	32 Khz		
Photocell	0-200FC (0-2,000 LUX)		
<b>Wireless</b>			
Bluetooth	2.4 Ghz, 50ft max		
<b>Environmental</b>			
Operating Temperature	32 to 104° F (0 to 40° C)		
Storage Temperature	-15 to 160° F (-26 to 71° C)		
Relative Humidity	0-90% non-condensing		
<b>Other</b>			
Energy Codes	Can be used to comply with IECC, ASHRAE 90.1 and 2022 Title 24, Part 6 occupancy/vacancy sensing, demand response and plug load or receptacle control requirements		
Listings	UL773A (Occupancy Standard), UL924 (Emergency Equipment), cUL listed, NOM certified, RoHS compliant, NY LLC48 compliant		
Warranty	5-Year Limited Warranty		

## Ordering Information

Smart Ceiling Mount Sensor	
Cat. No.	Description
ACS15-DIW	Smart Ceiling Mount Sensor, PIR only, Switching, 1-zone, 450-1,500 sq ft, 120-277VAC
ACS05-DMW	Smart Ceiling Mount Sensor, Multi-tech, Switching, 1-zone, 500 sq ft coverage, 120-277VAC
ACS10-DMW	Smart Ceiling Mount Sensor, Multi-tech, Switching, 1-zone, 1,000 sq ft coverage, 120-277VAC
ACS20-DMW	Smart Ceiling Mount Sensor, Multi-tech, Switching, 1-zone, 2,000 sq ft coverage, 120-277VAC
AC205-DMW	Smart Ceiling Mount Sensor, Multi-tech, Switching, 2-zone, 500 sq ft coverage, 120-277VAC
AC220-DMW	Smart Ceiling Mount Sensor, Multi-tech, Switching, 2-zone, 2,000 sq ft coverage, 120-277VAC
Wireless Companion Switch	
Cat. No.	Description
SBK00-CSW	Wireless Companion Switch, Battery powered, White
Low Voltage Keypads	
Cat. No.	Description
PLVSW-1LW	Low Voltage Keypad, 1-button ON/OFF controller for use with Smart Ceiling Mount Room Controllers and Smart Ceiling Mount Sensors
PLVSW-2LW	Low Voltage Keypad, 2-button ON/OFF controller for use with Smart Ceiling Mount Room Controllers and Smart Ceiling Mount Sensors
RDGSW-1Ex*	1-button Color Change Kit (blank)
RDGSW-2Ex*	2-button Color Change Kit (blank)
RDGSW-1Fx*	1-button Custom Engraved Color Change Kit
RDGSW-2Fx*	2-button Custom Engraved Color Change Kit

\*Replace x to indicate color: White (W), Ivory (I), Light Almond (T), Gray (G), Black (E) and Red (R). Color change kits are blank and available for custom engraving for button markings.

### Leviton Manufacturing Co., Inc. Lighting & Controls

10385 SW Avery Street, Tualatin, OR 97062 **tel** 800-736-6682 **tech line** (6:00AM-4:00PM PT Mon-Fri) 800-959-6004

### Leviton Manufacturing Co., Inc. Global Headquarters

201 North Service Road, Melville, NY 11747-3138 **tel** 800-323-8920 **tech line** (8:00AM-10:00PM ET Mon-Fri, 9:00AM-7:00PM ET Sat, 9:00AM-5:00PM ET Sun) 800-824-3005

Visit our Website at: [www.leviton.com/smartsensors](http://www.leviton.com/smartsensors)

©2024 Leviton Manufacturing Co., Inc. All rights reserved. Subject to change without notice.

LES-G10711/A24-mm