

Track Light Limiting Panel (TLLP)



DESCRIPTION

The Track Light Limiting Panel (TLLP) enables designer lighting to easily meet energy code voltage requirements. Limiting branch circuit volt-ampere rating with the TLLP sets a fixed power consumption limit for lighting installations instead of calculated values based on watts per linear foot of the track. Track lighting can now be specified for as many linear feet of track as desired without violating code specifications.

APPLICATIONS

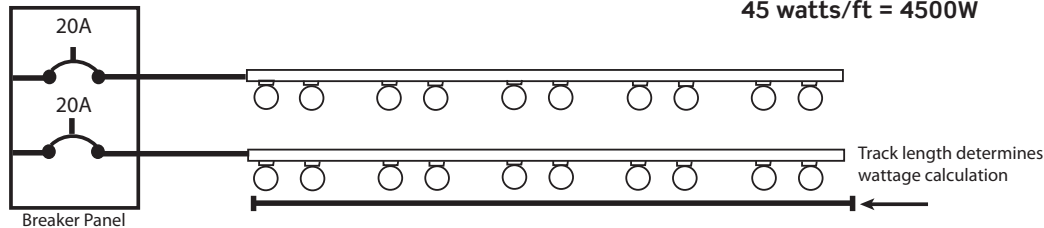
- Retail
- Hospitality
- Museums
- Office buildings
- Restaurants
- Universities

FEATURES

- Assists track lighting schemes and can be used to comply with ASHRAE 90.1, City of Seattle guidelines, and 2016 Title 24, Part 6 track lighting requirements
- Title 24 Track Light Supplementary Overcurrent Protection Panel
- Simplifies load calculations by using volt-ampere rating of the breaker as opposed to calculated values on the track
- Reduces installation costs
- Available in 16 or 32 circuit panels
- NEMA 1 surface or flush mount enclosure
- Factory configured to your specifications—arrives ready to install
- Uses Eaton-type FAZ 'C Curve' DIN rail mount circuit breakers

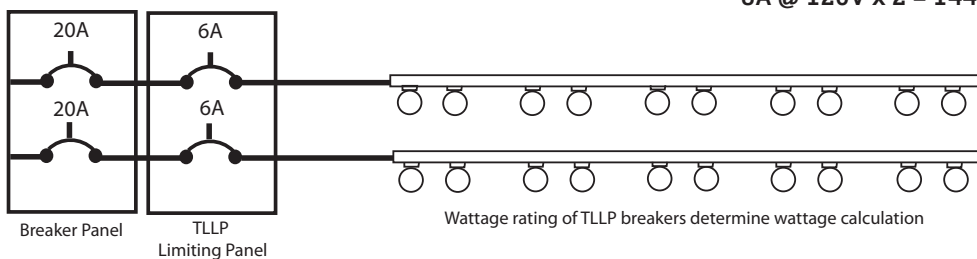
TRACK LIGHTING WATTAGE WITHOUT TLLP

100 ft of track lighting @ 45 watts/ft = 4500W



TRACK LIGHTING WATTAGE WITH TLLP

6A @ 120V x 2 = 1440W

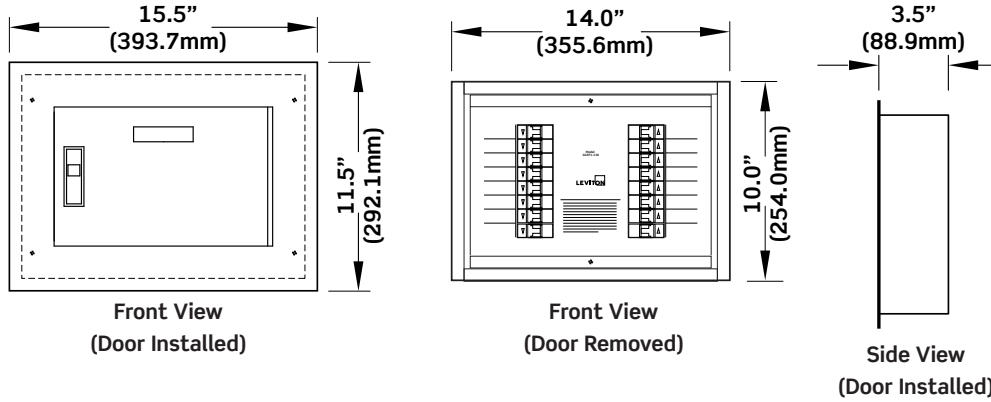


Leviton Manufacturing Co., Inc. Energy Management, Controls and Automation

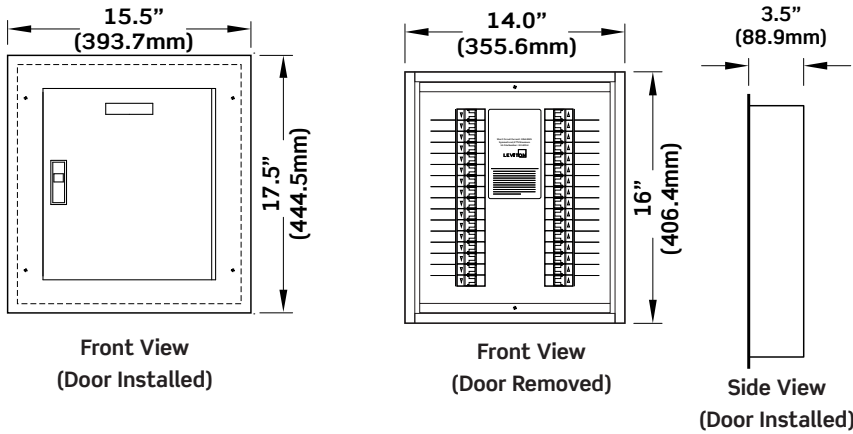
20497 SW Teton Avenue, Tualatin, OR 97062 tech line 800-959-6004 fax 503-404-5594
 © 2017 Leviton Manufacturing Co., Inc. All rights reserved. Subject to change without notice.

PRODUCT DATA

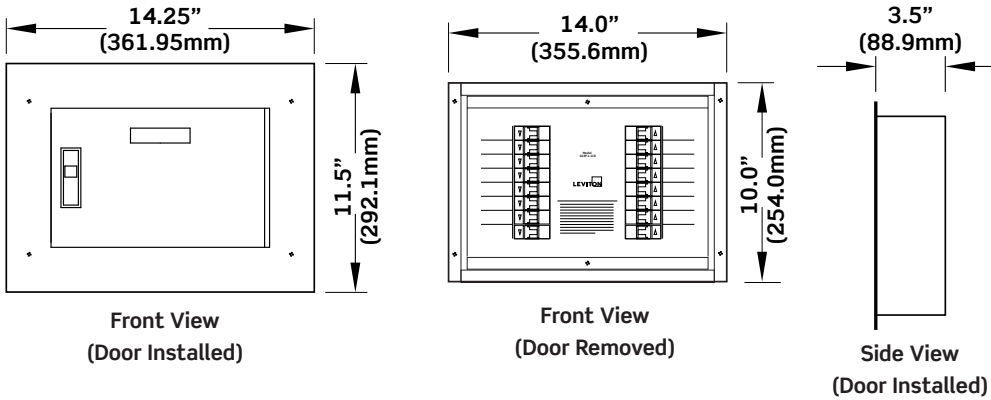
FLUSH MOUNT PANEL DIMENSIONS - UP TO 16 CIRCUITS



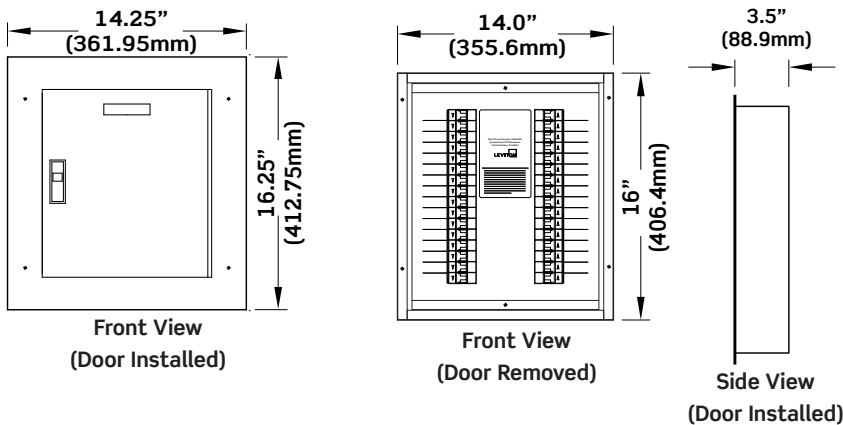
FLUSH MOUNT PANEL DIMENSIONS - UP TO 32 CIRCUITS



SURFACE MOUNT PANEL DIMENSIONS - UP TO 16 CIRCUITS

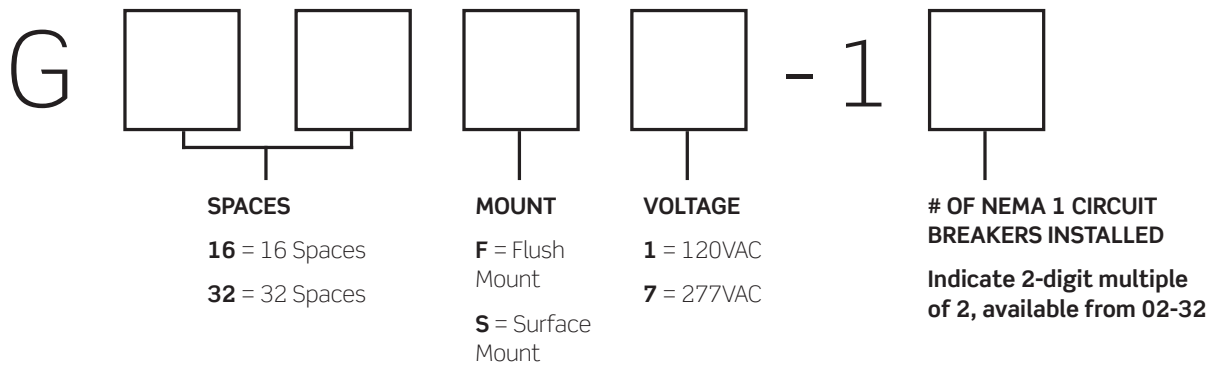


SURFACE MOUNT PANEL DIMENSIONS - UP TO 32 CIRCUITS



SPECIFICATIONS	
Enclosure	NEMA 1, 14 gauge steel, hinged locking door, concentric knockouts provided top and bottom
Surface mount size	16 circuit
	10"x14"x3.375" (25.4cmx35.56cmx8.57cm)
Flush mount size	32 circuit
	16"x14"x3.375" (40.64cmx35.56cmx8.57cm)
Rating	16 circuit
	11.5"x15.5"x3.375" (29.21cmx39.37cmx8.57cm)
Rating	32 circuit
	17.5"x15.5"x3.375" (44.45cmx39.375cmx8.57cm)
Rating	120VAC
	10,000AIC
Rating	277VAC
	6,000AIC
Operating Temperature Range	23°F to 140°F (-5°C to 60°C)
Relative Humidity	0% to 95% non-condensing
Listing	Listed cUL and UL508, CA Title 24 Compliant
Available Breaker Sizes	0.5A, 1A, 2A, 3A, 4A, 5A, 6A, 7A, 8A, 10A, 13A, 15A, 16A, 20A, 25A, 30A, 32A, 40A, 50A, 60A
Warranty	Limited Two-Year Warranty

ORDERING KEY



NOTE: Specify breaker size and configuration on configuration form

NOTE: Completed configuration form must be accompanied with order

Leviton Manufacturing Co., Inc. Energy Management, Controls and Automation

20497 SW Teton Avenue, Tualatin, OR 97062 **tel** 800-736-6682 **fax** 503-404-5594 **tech line** (6:00AM-4:00PM PT Mon-Fri) 800-959-6004

Leviton Manufacturing Co., Inc. Global Headquarters

201 North Service Road, Melville, NY 11747-3138 **tel** 800-323-8920 **fax** 800-832-9538 **tech line** (8:30AM-7:00PM ET Mon-Fri) 800-824-3005

Visit our Website at: www.leviton.com/greenmax

©2017 Leviton Manufacturing Co., Inc. All rights reserved. Subject to change without notice.