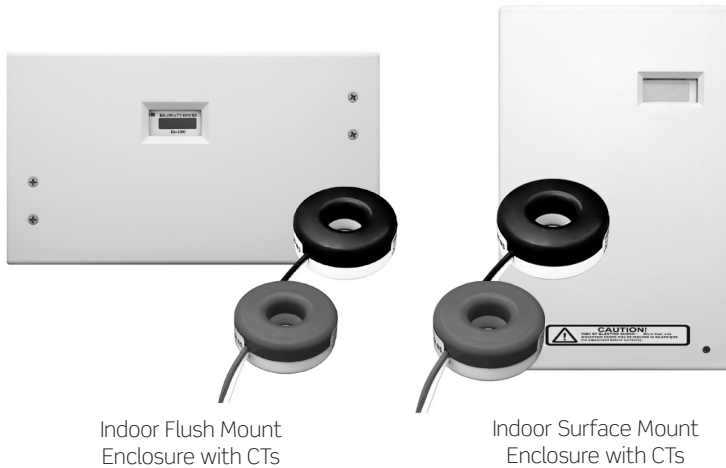


VerifEye™ Indoor Mini Meter™ Kits with Wireless AMR

Submetering Solutions for Accurate Measurement & Verification



Indoor Flush Mount Enclosure with CTs

Indoor Surface Mount Enclosure with CTs

DEFINITION

Leviton VerifEye™ Mini Meter™ line of revenue-grade meters meet the requirements for all single phase tenant billing applications. Designed to provide a simple and effective process for accurately capturing measurements of power consumption, Mini Meters are easy to specify and install for new construction and retrofits. Integrated wireless AMR transmitters eliminate the need for running wires to each meter, dramatically simplifying installation.

- 0.5% kWh Meter, ANSI C12.20 (0.5), NRTL Certified
- 120/208/240V 2PH 3W
- 200 Amps
- Pulse Output - standard feature
- Kit includes submeter, specified enclosure, wireless transceiver and required Current Transformers (CTs)
- Multi-tenant residential applications
- Compact footprint; fits almost anywhere
- Cost effective solution

VerifEye meters utilize highly accurate current transformers for revenue-grade performance certified to ANSI standards. Solid core CTs offer high quality, long term accuracy and reliability.

Every Mini Meter has an installer-friendly feedback feature. The user friendly reverse phase indicators, found on the meter's LCD, illuminate if a meter is installed improperly. After installation, the green duty cycle light shows that the meter is collecting electric consumption data at the appropriate rate. All 200 Amp solid core CTs are labeled to easily identify and correctly land the wires at the meter.

APPLICATIONS

Use Mini Meters in multi-tenant residential applications for:

- Tenant billing
- Tenant cost allocation
- Energy conservation and cost reduction

PRODUCT DATA

FEATURES

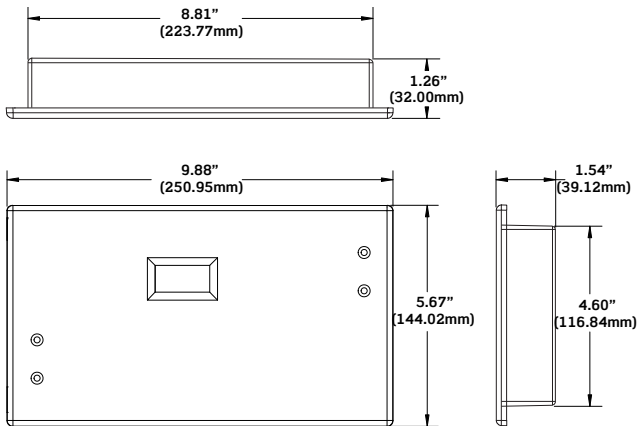
- Measures kWh
- Revenue-grade—0.5% kWh meter conforms to all applicable standards of ANSI C12.2
- Equipped standard with an Isolated Pulse Output channel for integration with automated meter reading
- Available in indoor flush mount and surface mount enclosures with an integrated wireless transceiver for automated meter reading
- Utilizes revenue-grade solid core CTs
- UL/cUL Listed Energy Usage Monitor per CCN FTRZ
- Five year warranty

CONFIGURATIONS

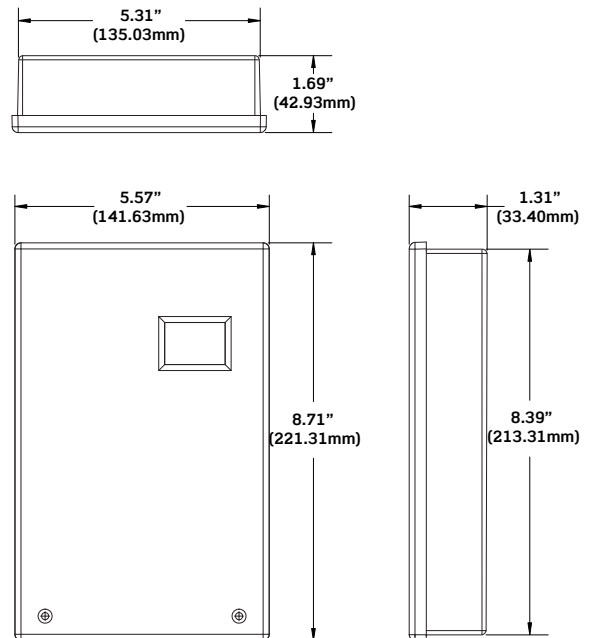
AMPERAGES	PHASE/VOLTAGES
200A	1 or 2PH/3W - 120/208/240V

DIMENSIONS

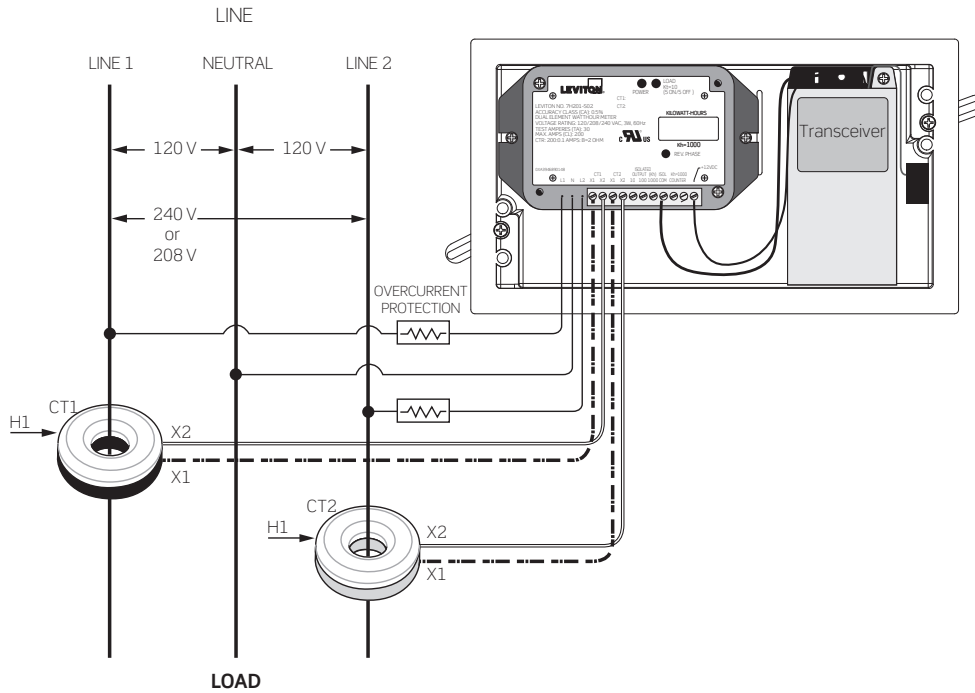
Indoor Flush Mount Enclosure



Indoor Surface Mount Enclosure

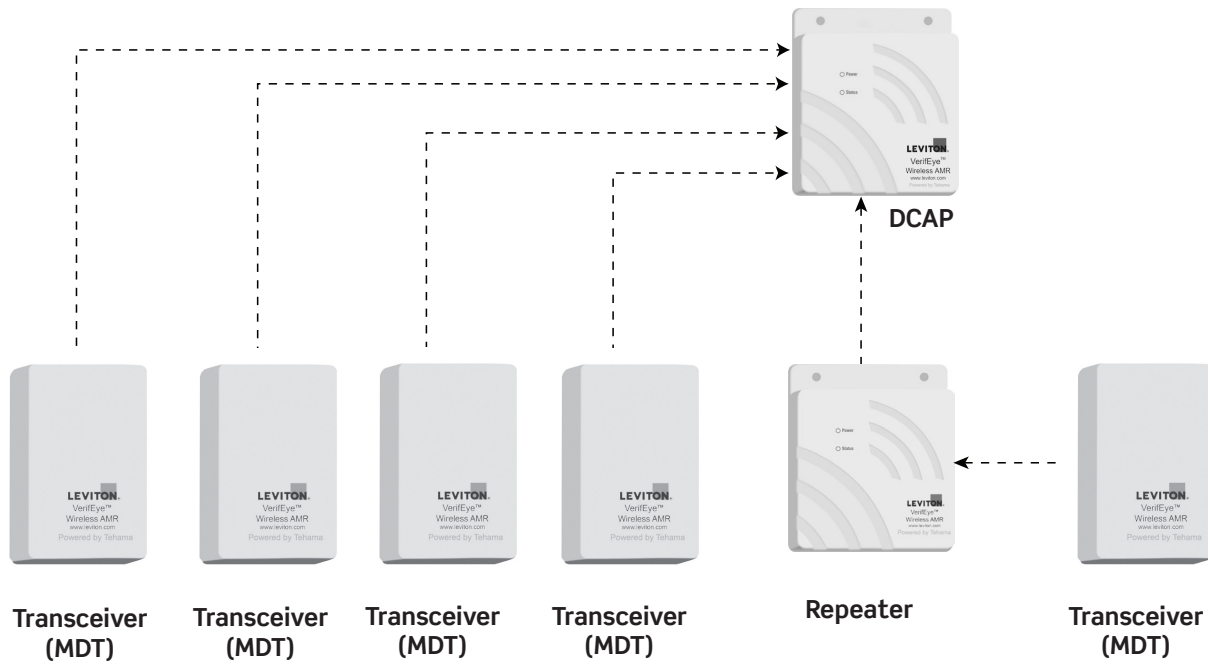


DUAL ELEMENT, MINI METER WIRING DIAGRAM



Note: See manual for Mini Meter Surface Mount wiring diagram.
 Short circuit protection per NEC and local codes by others.
 Two solid core transformers (CTs) are provided with each Mini Meter.

AUTOMATED METER READING (AMR) WIRELESS NETWORK DIAGRAM



VeriEye™ Indoor Mini Meter™ Kits with Wireless AMR

PRODUCT DATA



ORDERING INFORMATION

DUAL ELEMENT MINI METER KITS - INDOOR FLUSH MOUNT ENCLOSURE*

NOTE: Kits include meter, specified enclosure and Current Transformers (CTs)

VOLTAGE	AMPS	CTs INCLUDED	CAT. NO.
120/240 1PH/3W Split Phase, 120/208 2PH/3W (includes Time of Use (TOU**) enabled kWh Wireless AMR Transceiver)	200A	2 Solid Core CTs	MDTFW-2SC

MINI METER KITS - INDOOR SURFACE MOUNT ENCLOSURE

NOTE: Kits include meter, specified enclosure and Current Transformers (CTs)

VOLTAGE	AMPS	CTs INCLUDED	CAT. NO.
120/240 1PH/3W Split Phase, 120/208 2PH/3W (includes Time of Use (TOU**) enabled kWh Wireless AMR Transceiver)	200A	2 Solid Core CTs	MDTSW-2SC

WIRELESS DATA CONCENTRATING ACCESS POINTS (DCAPs)**

CAT. NO.	DESCRIPTION
T25DX-151	DCAP, capacity 150 meter points max, includes radio receiver
T25DX-102	DCAP, capacity 1000 meter points max, includes radio receiver
T25DX-202	DCAP, capacity 2000 meter points max, includes radio receiver

WIRELESS REPEATER

CAT. NO.	DESCRIPTION
T95RX-000	Wireless Repeater - extended range for use with wireless submetering systems. 5VDC, 800mA (120VAC power supply included)

* For a complete wireless Automatic Meter Reading (AMR) system, data transceivers and other wireless network components (DCAPs and Repeaters) are required as dictated by building construction.

** TOU = Time of Use, providing 15-minute time-stamped kWh interval data

Contact factory for design assistance

VeriEye™ Indoor Mini Meter™ Kits with Wireless AMR

Leviton Manufacturing Co., Inc. Energy Management, Controls and Automation

20497 SW Teton Avenue, Tualatin, OR 97062 tel 800-736-6682 fax 503-404-5594 tech line (6:00AM-4:00PM PT Mon-Fri) 800-959-6004

Leviton Manufacturing Co., Inc. Global Headquarters

201 North Service Road, Melville, NY 11747-3138 tel 800-323-8920 fax 800-832-9538 tech line (8:30AM-7:00PM ET Mon-Fri) 800-824-3005

Visit our Website at: www.leviton.com/verifeye

©2019 Leviton Manufacturing Co., Inc. All rights reserved. Subject to change without notice.

G-8901D/K19-aa
REV NOV 2019