

VerifEye™ NEMA Communications Bundles

EMB Hub and EMB HubLite Bundles



A7810-PS1



A8810-PS1

Description

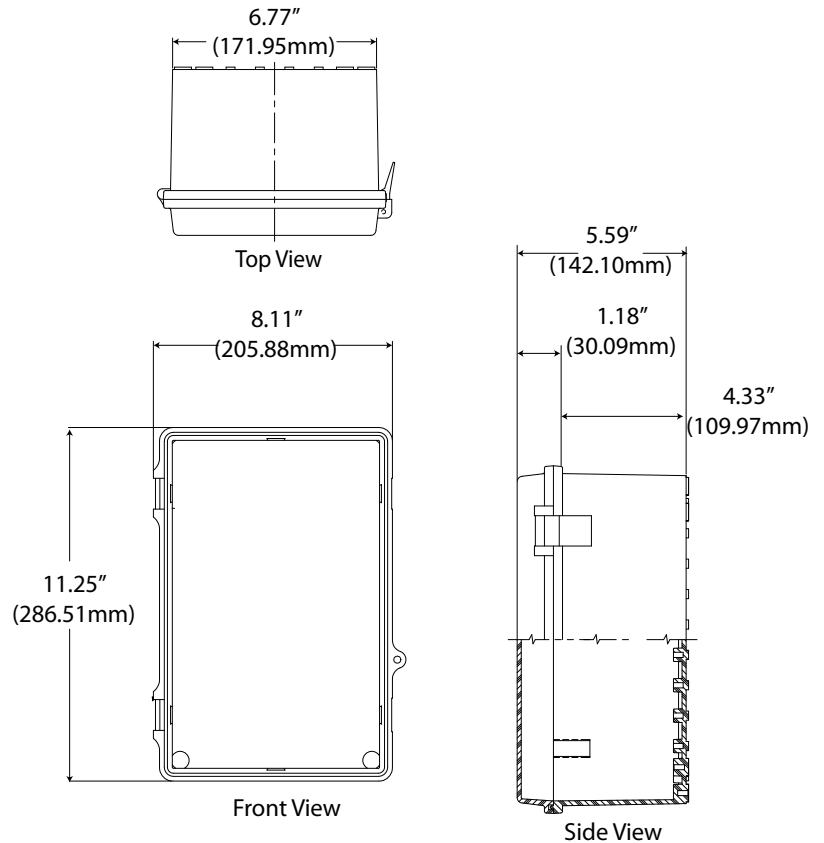
Leviton VerifEye™ NEMA Communication Bundles combine VerifEye's Data Acquisition products into one enclosure for a Leviton-exclusive, all-in-one, communication solution for indoor use only. All VerifEye NEMA communication bundles have one part number and are factory pre-assembled for ease of ordering eliminating the need for field assembly.

Applications

- (A7810-PS1) EMB HubLite communication bundle includes:
 - EMB HubLite
 - Line voltage DIN rail-mounted power supply
 - Wall brackets
 - NEMA 4X enclosure
- (A8810-PS1) EMB Hub communication bundle includes:
 - EMB Hub
 - Line voltage DIN rail-mounted power supply
 - Wall brackets
 - NEMA 4X enclosure

Note: Meters sold separately for all communication bundles; contact your local Leviton sales representative for more information or visit www.Leviton.com/verifeye.

Dimensions



Specifications

Header	A7010	A8810
Processor	ARM 9 embedded CPU	
Operating System	Linux 2.6	
Memory	32 MB RAM	
Flash ROM	16 MB NOR Flash	
Interval Recording	1 to 60 minutes, user selectable (default 15 minutes)	
LEDs	Ethernet, Pulse (x4), power, alarm	Ethernet, Modbus TX/RX, power, alarm
Console	2 x 16 LCD character, two pushbuttons	
Power		
Power Supply Input	100-277VAC 50/60Hz, 1.5A Max, Class II, double insulated	
Isolation	RJ45 Ethernet is isolated to 1500VDC from the main board	
	Power input, pulse inputs and USB non-isolated	Power and USB non-isolated
Communication		
Protocols	ModBus/TCP, TCP/IP, PPP, HTTP/HTML, FTP, NTP, XML, SNMP-Trap	ModBus/RTU, ModBus TCP, TCP/IP, PPP, HTTP/HTML, FTP, NTP, XML, SNMP-Trap
LAN	RJ45 10/100 Ethernet, full/half duplex, auto polarity	
Inputs		
I/O	4x pulse inputs, dry contact, standard or KYZ, closure threshold 100 to 2.5K user selectable	-
Pulse Rate	Pulse input maximum rate	
Storage	Pulse count values stored in non-volatile memory	
Serial Port	-	RS-485 ModBus, supports up to 32 external devices (expandable)
Physical		
Weight	0.42lbs (0.19g)	
Size	4" x 4.25" x 2" (102mm x 108mm x 51mm)	
Environment		
North America	-13 to +159°F (-25 to +71°C), 20-90% RH, non-condensing	
Altitude/Pollution	2000M max, degree 2	
Codes and Standards		
Emissions	FCC CFR 47 Part 15, Class A, EN 61000, EN61326, CE; Power Supply: EN55022 Class A	
Safety	UL61010 recognized, EN 61010; Power Supply: UL60950-1, EN60950-1, evaluated to NEC NFPA70 Class 2 output per UL1310, CE	

Ordering Information

VerifEye NEMA EMB Hub and EMB HubLite Communication Bundles	
Cat. No.	Description
A8810-PS1	Energy Monitoring EMB Hub with line voltage power supply, NEMA 4X enclosure
A7810-PS1	Energy Monitoring EMB HubLite with line voltage power supply, NEMA 4X enclosure

Leviton Manufacturing Co., Inc. Lighting & Controls

10385 SW Avery Street, Tualatin, OR 97062 **tel** 800-736-6682 **tech line** (6:00AM-4:00PM PT Mon-Fri) 800-959-6004

Leviton Manufacturing Co., Inc. Global Headquarters

201 North Service Road, Melville, NY 11747-3138 **tel** 800-323-8920 **tech line** (8:00AM-10:00PM ET Mon-Fri, 9:00AM-7:00PM ET Sat, 9:00AM-5:00PM ET Sun) 800-824-3005

Visit our Website at: www.leviton.com/productpage

©2023 Leviton Manufacturing Co., Inc. All rights reserved. Subject to change without notice.

G-9184C-I23-mm
REV SEP 2023