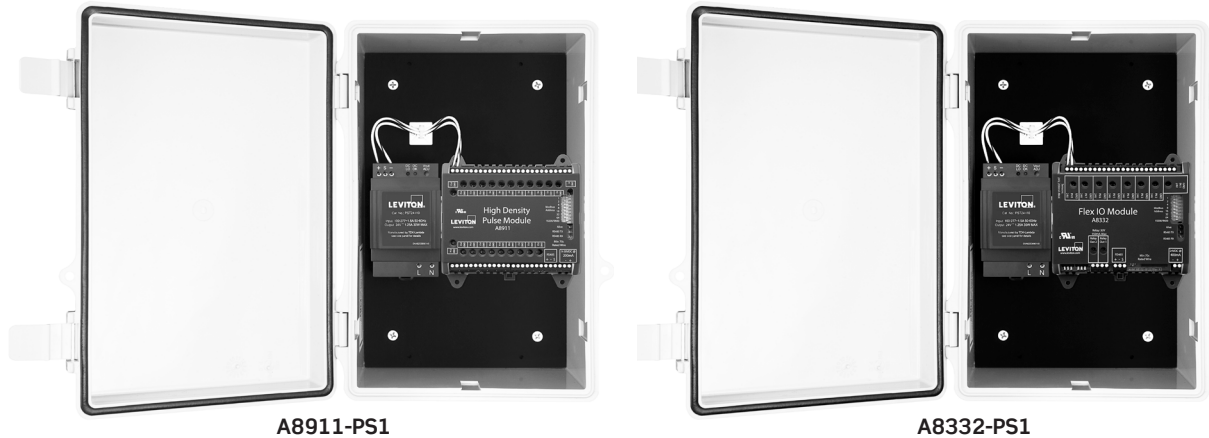


# VeriEye™ NEMA Communication Bundles

## HD Pulse & Flex I/O Bundles



A8911-PS1

A8332-PS1

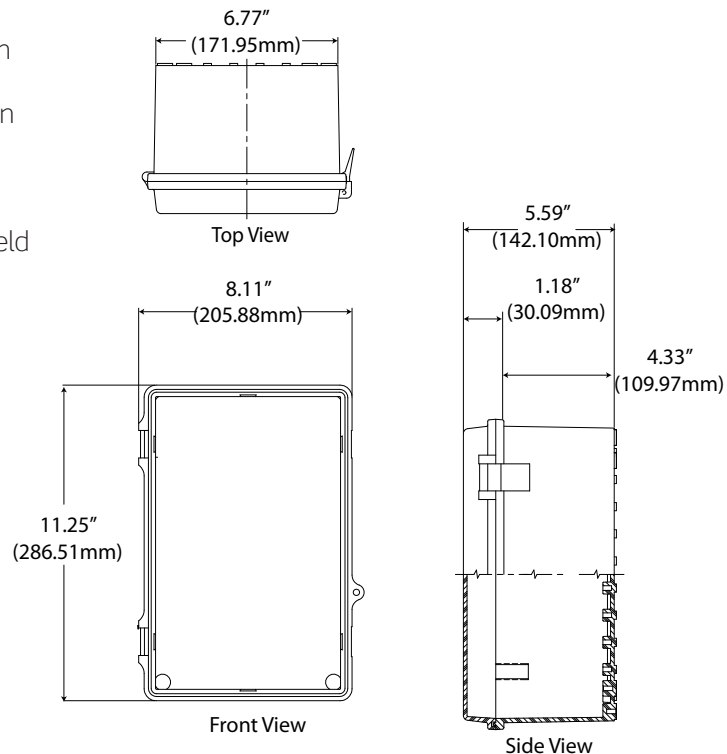
### DESCRIPTION

Leviton VeriEye™ NEMA Communication Bundles combine VeriEye's Data Acquisition Products into one enclosure for a Leviton-exclusive, all-in-one-bundled communication solution for indoor use. All VeriEye NEMA communication bundles have one part number and are factory pre-assembled for ease of ordering eliminating the need for field assembly.

### COMMUNICATION BUNDLES

- (A8911-PS1) HD Pulse communication bundle includes:
  - HD Pulse Module
  - Line voltage DIN rail-mounted power supply
  - Wall brackets
  - NEMA 4X enclosure
- (A8332-PS1) Flex I/O communication bundle includes:
  - Flex I/O Module
  - Line voltage DIN rail-mounted power supply
  - Wall brackets
  - NEMA 4X enclosure

### DIMENSIONS



**Note:** Meters sold separately for all communication bundles; contact your local Leviton sales representative for more information or visit [www.leviton.com/verifeye](http://www.leviton.com/verifeye).

**Note:** BMO 3.0 Base Module is FREE with purchase of any VeriEye data acquisition hub.

**Leviton Manufacturing Co., Inc. Energy Management, Controls and Automation**

20497 SW Teton Avenue, Tualatin, OR 97062 **tech line** 800-959-6004 **fax** 503-404-5594

©2018 Leviton Manufacturing Co., Inc. All rights reserved. Subject to change without notice.

# PRODUCT DATA



VeriEye™ NEMA HD Pulse and Flex I/O Communication Bundles

SPECIFICATIONS	A8911-PS1	A8332-PS1
Processor	ARM7 field upgradeable firmware	
Memory	Pulse count and run time values are stored in non-volatile memory	
LEDs	23x input status LEDs (red), 2 ModBus TX/RX (yellow), 1 power/alive status (green)	8x input status LEDs (red), 2x ModBus TX/RX (yellow), 1 power/alive status (green)
<b>POWER</b>		
Power Supply Input	0-304VAC, 50/60 Hz, 1.5 maximum at 90VAC, Class II, double insulated	
<b>COMMUNICATION</b>		
Protocols	ModBus/RTU	
<b>INPUTS</b>		
Voltage Mode	—	0-10VDC (min/max/average/instantaneous data) accuracy +/- 0.25% of full scale at 20C
Current Mode		4-20mA (min/max/average/instantaneous data) accuracy +/- 0.25% of full scale at 20C
Resistance Mode		100 ohms ( $\Omega$ ) to 100k (see installation for accuracy specifications)
Pulse Mode	<ul style="list-style-type: none"> <li>23 independent pulse count points</li> <li>Intended for use with isolated dry contact outputs</li> <li>Pulse rate/width user selectable to 10 Hz, 50 Hz, or 100 Hz</li> <li>Pulse rate option: 10 Hz, minimum pulse width 50ms</li> <li>Pulse rate option: 50 Hz, minimum pulse width 10ms</li> <li>Pulse rate option: 100 Hz, minimum pulse width 5ms</li> <li>Contact closure threshold: 100<math>\Omega</math> to 2.5k<math>\Omega</math> user selectable</li> <li>Pulse count values are stored in non-volatile memory</li> <li>32 bit pulse counter: Rollover at 4.295 billion per channel</li> </ul>	<ul style="list-style-type: none"> <li>Intended for use with dry contact outputs (consumption/rate/runtime/status)</li> <li>Standard and KYZ modes for A and C relay outputs</li> <li>Input terminals supplies 5V at 5mA sense voltage to detect contact closures</li> <li>Maximum rate: 10 Hz, minimum pulse width 50ms</li> <li>Adjustable contact closure threshold: 100<math>\Omega</math> to 5k<math>\Omega</math>, broken wire sense above 10k<math>\Omega</math> optional</li> </ul>
Serial Port	RS485 two wire, 19200 or 9600 baud, 8N1	
I/O	23x inpulse inputs	8x Flex IO inputs with user selectable modes: voltage, current, resistance, pulse and status
Isolation	Not isolated	Relay outputs and RS485 ports are isolated to 1500VDC; power input, RS232 and analog/pulse inputs are non-isolated
<b>OUTPUTS</b>		
Relays	—	2x, dry contact (opto-fet) 30 VDC, 150 mA max
<b>PHYSICAL</b>		
Weight	3.7oz (105g)	
Size	4.13" x 3.39" x 1.18" (105mm x 86mm x 30mm)	
<b>ENVIRONMENT</b>		
North America	-13 to 159°F (-25 to 71°C), 20-90% RH, non-condensing	
Altitude/Pollution	2000M max, degree 2	
<b>CODES &amp; STANDARDS</b>		
Emissions	FCC CFR 47 PART 15, Class A, EN 61000, EN 61326; Power Supply: EN55022 Class A	
Safety	UL61010 recognized, EN61010; Power supply: UL60950-1, EN60950-1, evaluated to NEC NFPA70 Class 2 output per UL1310, CE	

## ORDERING INFORMATION

CAT. NO.	DESCRIPTION
A8911-PS1	HD Pulse Module with line voltage power supply, NEMA 4X enclosure
A8332-PS1	Flex I/O Module with line voltage power supply, NEMA 4X enclosure

### Leviton Manufacturing Co., Inc. Energy Management, Controls and Automation

20497 SW Teton Avenue, Tualatin, OR 97062 tech line 800-959-6004 fax 503-404-5594

©2018 Leviton Manufacturing Co., Inc. All rights reserved. Subject to change without notice.

G-9424A/G18-aa

REV JUL 2018