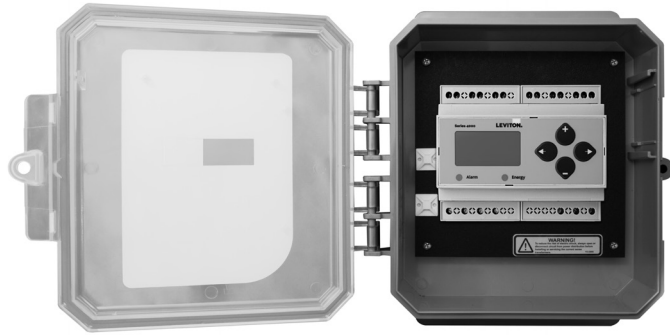


# VerifEye™ Series 4000 0.2% Accurate Industrial ModBus Meter Kits



## DESCRIPTION

The VerifEye™ Series 4000 Industrial ModBus Meter Kits are revenue-grade (ANSI 12.20 Class 0.2%) kWh electrical meters. The device combines exceptional performance and easy installation for a cost-effective energy monitoring solution.

The VerifEye Series 4000 Industrial ModBus Meter Kits are available in standalone DIN Rail Mount or NEMA 4X Enclosure, 3-phase, advanced communication meter kits with split core or flexible rope-style Rogowski Current Transformers (CTs) for compact or irregular shaped conductors. Combinations of serial communication, pulse output and phase alarms are provided to suit a wide variety of applications.

- Industrial temperature range: -22 to 158°F (-30 to 70°C)
- 50/60 Hz
- 90-600V versatility including 347V (L-N) and 600V (L-L)
- Resettable kWh feature meets requirements for Title 24 and Seattle Energy Code Rogowski CT Options (50-5000A)
- DIN rail mount
- Five year warranty

## APPLICATIONS

Use the VerifEye Series 4000 Industrial ModBus Meter Kits in commercial, institutional, industrial and government applications for:

- Energy monitoring for AMR/BAS/BMS/EMS systems
- Tenant cost allocation
- Energy conservation and cost reduction
- Green building initiatives and government mandates
- Measurement and verification
- Load profiling and benchmarking

## FEATURES

### Leviton Manufacturing Co., Inc. Lighting & Controls

20497 SW Teton Avenue, Tualatin, OR 97062 tech line 800-959-6004

©2021 Leviton Manufacturing Co., Inc. All rights reserved. Subject to change without notice.

## PRODUCT DATA

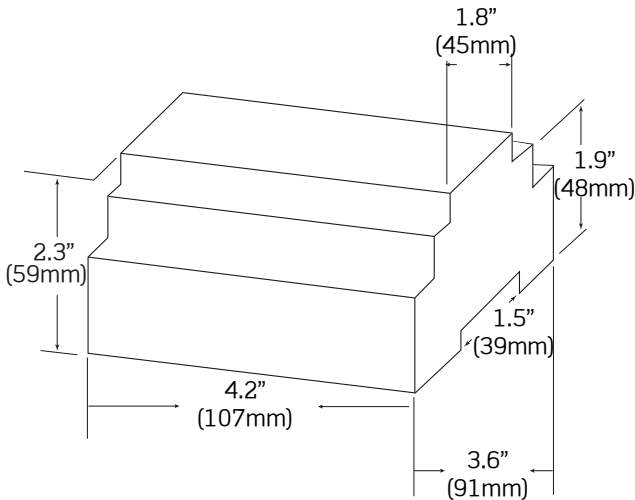
### FEATURES

- DIN Rail mount for easy installation
- Optional outdoor NEMA 4X enclosure
- Options for 100, 200, 400, and 800A split core CTs and 12", 18", and 24" Rogowski CTs (50-5000A)
- ANSI 12.20 0.2% accuracy, IEC 62053-22 Class 0.5S
- Real energy output and phase loss alarm output
- 90-600VA versatility with fewer models to stock
- One device serves multiple locations
- User-enabled password protection to protect meter from tampering
- Bright, backlit LCD for installation in dark areas and viewing real time data
- System integration via ModBus RTU - RS-485 2-wire with shield
- CSI approved for California Solar Initiative
- cULus rated
- CE compliant

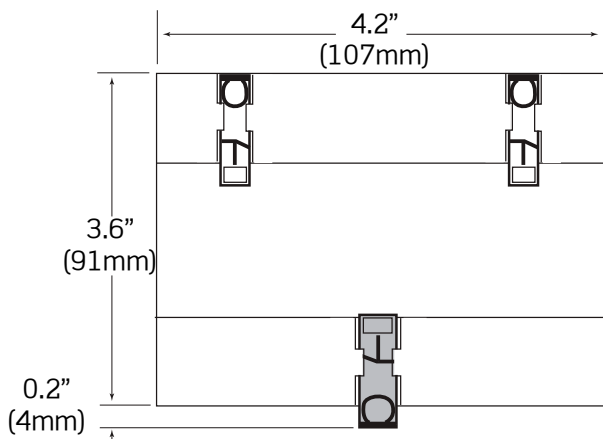
### MEASURED PARAMETERS

- kW
- kVA and kVAR
- Power factor: 3 phase average & per phase
- Present power demand: Real (kW), reactive (kVAR) and apparent (kVA)
- Current (3-phase average and per phase)
- Voltage L-L and L-N
- Frequency
- ANSI C12.20 0.2% accuracy, IEC 62053-22 Class 0.5S
- Accumulated net energy: real (kWh), reactive (kVARh), and apparent (kVAh)
- Accumulated real energy by phase (kWh)
- Demand interval configuration: fixed or rolling block, external sync to communication

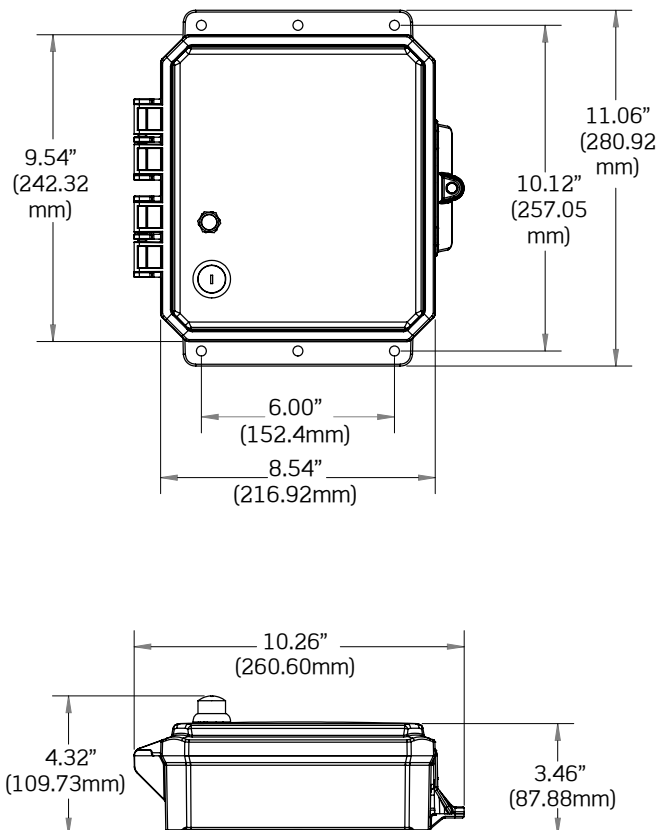
### DIMENSIONS - DIN RAIL



### MOUNTING DIAGRAM



### DIMENSIONS - OUTDOOR ENCLOSURE



## SPECIFICATIONS

INPUTS	
Control Power, AC	50/60 Hz, 5VA max, 90V min UL Maximums: 600V L-L (347V L-N), CE Maximum: 300V L-N
Control Power, DC	3W max, UL and CE: 125 to 300VDC (external DC current limiting required)
Input Voltage	UL: 90V L-N to 600V L-L CE: 90V L-N to 300V L-N
Input Current Scaling	5A to 32,000A
Input Range	0 to 0.333V or 0 to 1V (selectable) CTs must be rated for use with Class 1 voltage inputs <b>Split Core CTs:</b> 100, 200, 400, 800A <b>Rogowski CTs:</b> (50-5000A) 12", 18", and 24" lengths available
OUTPUTS	
Real Energy Pulse	N.O. static
Alarm Contacts	N.C. static
Serial Port	RS-485 2-wire ModBus RTU (1200 baud to 38.4 kbaud)
MECHANICAL	
Mounting	DIN rail or NEMA 4X outdoor enclosures
ENVIRONMENTAL	
Altitude	9843ft <3000m) maximum
Operating Temperature	-22 to 158°F (-30 to 70°C)
Storage Temperature	-40 to 185°F (-40 to 85°C)
Operating Humidity	<95% to RH non-condensing
Pollution	Degree 2
CODES & STANDARDS	
Safety	UL508 (Open Type Device), cUL, EN61010-1
Accuracy & Billing	ANSI/C12.20 0.2 Class
Listings	CE compliant, CSI approval for California Solar Initiative, cULus rated

## ORDERING KEY



O - Outdoor  
K - DIN Rail

MR - ModBus

01M - 100A Split Core  
02M - 200A Split Core  
04M - 400A Split Core  
08M - 800A Split Core  
R12 - 12" Rogowski  
R18 - 18" Rogowski  
R24 - 24" Rogowski

**ORDERING INFORMATION**

<b>INDOOR DIN RAIL MOUNT</b>			
<b>VOLTAGE</b>	<b>AMPS</b>	<b>CTS INCLUDED</b>	<b>CAT. NO.</b>
Universal 3PH 3W/4W	100	Split Core CTs	4KUMR-01M
Universal 3PH 3W/4W	200	Split Core CTs	4KUMR-02M
Universal 3PH 3W/4W	400	Split Core CTs	4KUMR-04M
Universal 3PH 3W/4W	800	Split Core CTs	4KUMR-08M
Universal 3PH 3W/4W	50-5000	12" Rogowski Coil CTs	4KUMR-R12
Universal 3PH 3W/4W	50-5000	18" Rogowski Coil CTs	4KUMR-R18
Universal 3PH 3W/4W	50-5000	24" Rogowski Coil CTs	4KUMR-R24
<b>STANDALONE METERS ONLY</b>			
Universal 3PH 3W/4W	100, 200, 400, 800	Split Core CTs Only	4KUMR-00M
Universal 3PH 3W/4W	50-5000	Rogowski Coil CTs Only	4KUMR-00R
<b>OUTDOOR NEMA ENCLOSURE</b>			
<b>VOLTAGE</b>	<b>AMPS</b>	<b>CTS INCLUDED</b>	<b>CAT. NO.</b>
Universal 3PH 3W/4W	100	Split Core CTs	4OUMR-01M
Universal 3PH 3W/4W	200	Split Core CTs	4OUMR-02M
Universal 3PH 3W/4W	400	Split Core CTs	4OUMR-04M
Universal 3PH 3W/4W	800	Split Core CTs	4OUMR-08M
Universal 3PH 3W/4W	50-5000	12" Rogowski Coil CTs	4OUMR-R12
Universal 3PH 3W/4W	50-5000	18" Rogowski Coil CTs	4OUMR-R18
Universal 3PH 3W/4W	50-5000	24" Rogowski Coil CTs	4OUMR-R24
<b>COMPONENTS</b>			
<b>AMPS</b>	<b>DESCRIPTION</b>	<b>CAT. NO.</b>	
100	Split Core CTs	CTV01-KD0	
200	Split Core CTs	CTV02-KD0	
400	Split Core CTs	CTV04-KD1	
800	Split Core CTs	CTV08-KG1	
-	Fuse Pack, 1/2A, 600VAC, slow blow	CTV00-FK3	
50-5000	12" Rogowski Coil CTs	CRV50-K62	
50-5000	18" Rogowski Coil CTs	CRV50-K93	
50-5000	24" Rogowski Coil CTs	CRV50-KC2	

**Leviton Manufacturing Co., Inc. Lighting & Controls**

20497 SW Teton Avenue, Tualatin, OR 97062 **tel** 800-736-6682 **tech line** (6:00AM-4:00PM PT Mon-Fri) 800-959-6004

**Leviton Manufacturing Co., Inc. Global Headquarters**

201 North Service Road, Melville, NY 11747-3138 **tel** 800-323-8920 **tech line** (8:30AM-7:00PM ET Mon-Fri) 800-824-3005

**Visit our Website at: [www.leviton.com/verifeye](http://www.leviton.com/verifeye)**

©2021 Leviton Manufacturing Co., Inc. All rights reserved. Subject to change without notice.