

Application Note

Installation of the Structured Media Enclosure in an acoustical ceiling system

The Leviton Structured Media Enclosure provides a cost effective solution for creating a Consolidation Point to house Passive Optical LAN, voice and data or video distribution cabling in non-plenum spaces.

Leviton offers a ceiling mount kit that allows for simple installation of the Structured Media Enclosure with a selection of door offerings into an acoustical ceiling system's "T-Bar" grid.

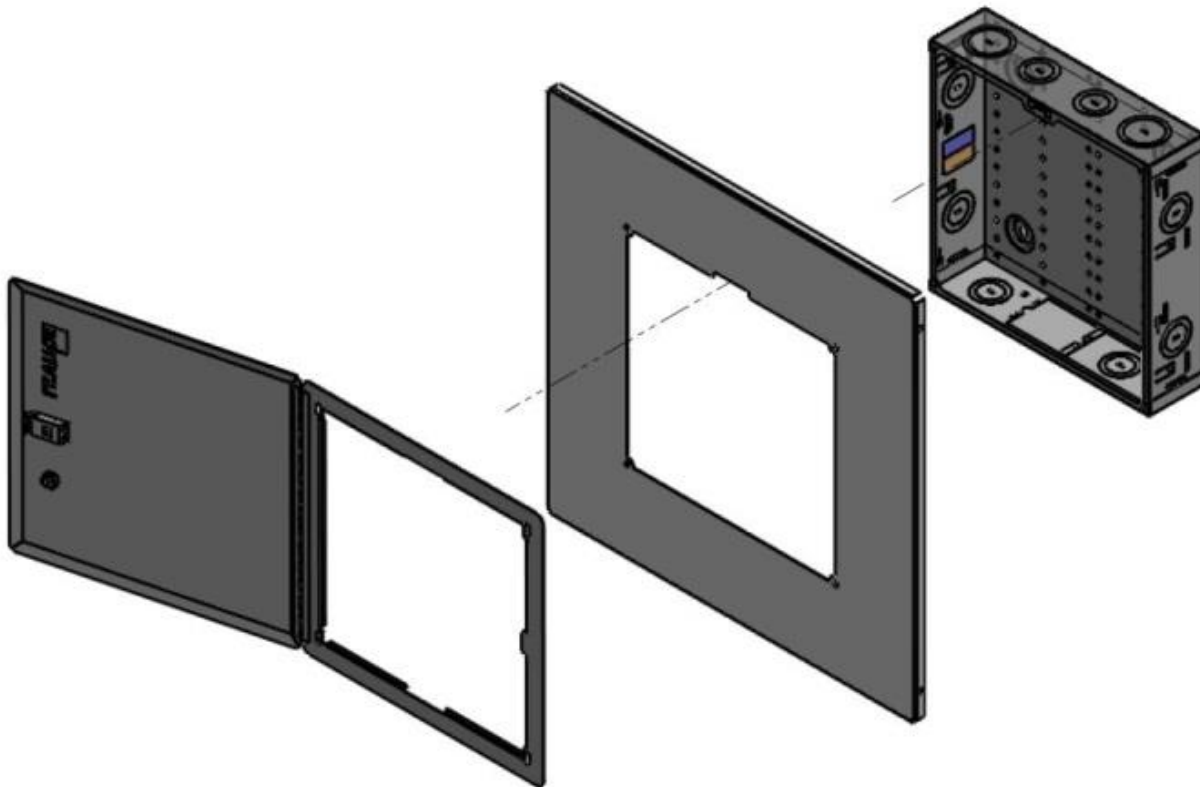
The tile frame is positioned between the door cover and the Structured Media Enclosure and secured with the 4 screws supplied with the door cover.

Application Note ID: NS-AN-14-0002-06-30-14

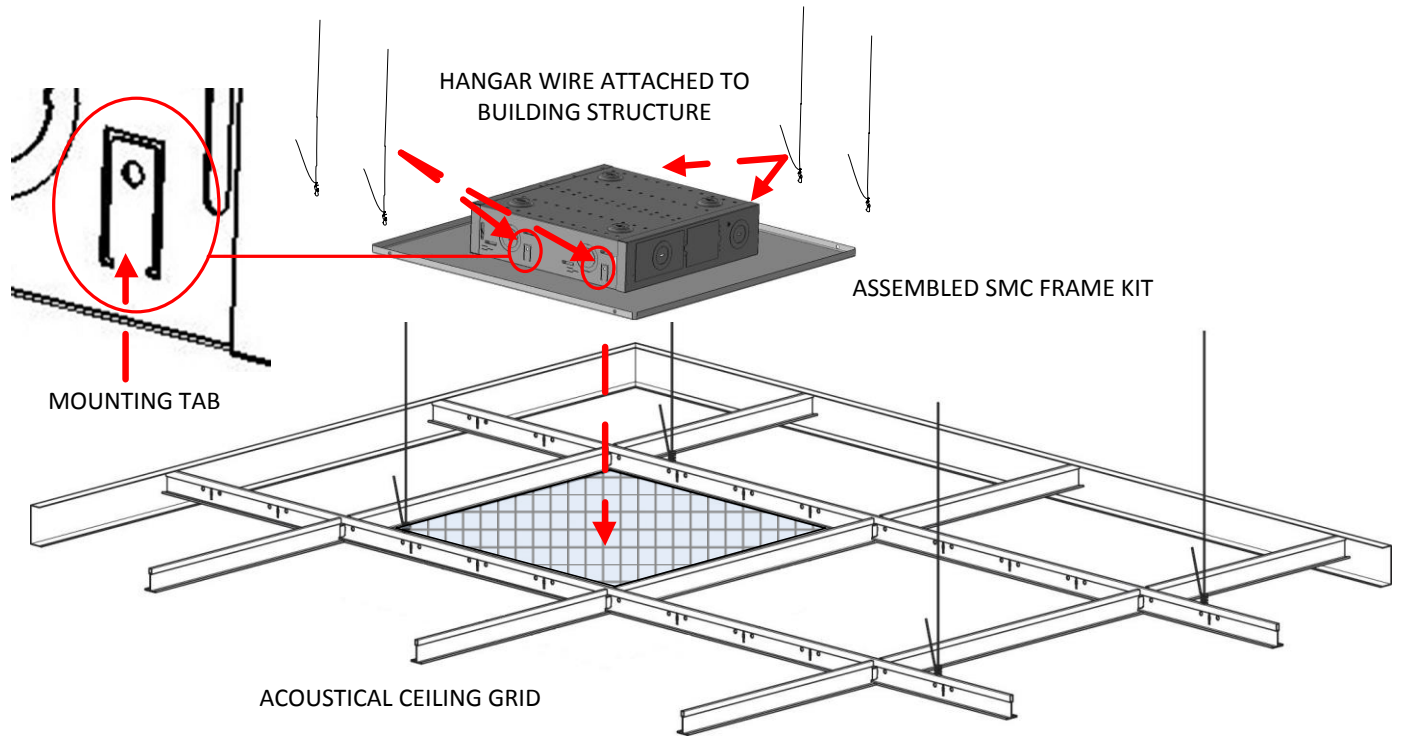
Date: 06-30-2014

Product Line: Opt-X PON

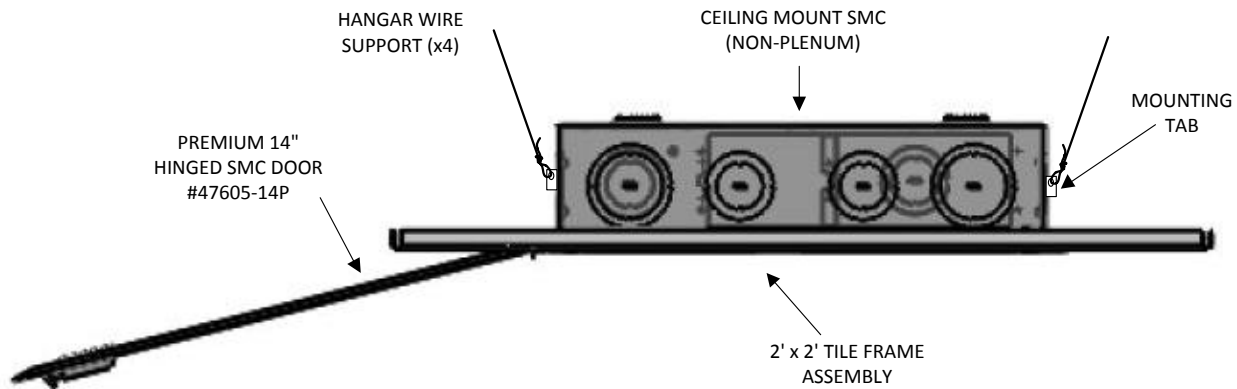
Part Numbers Affected: 47612-CMK 47605-14E 47605-14D 47605-14P 47605-14S
--



Once the frame kit is installed, simply place the assembly in the desired 2' x 2' acoustical tile grid location.



Secure the assembly to the building structure from the Structured Media Center mounting tabs with hangar wires as shown here:



Ensure all national and local codes required by the AHJ are met for supporting the assembly.

Summary – The Structured Media Enclosure provides a simple, cost effective solution when used as a consolidation point for Opt-X[®] PON or other Leviton products. For more information go to: www.leviton.com/OptXPON.