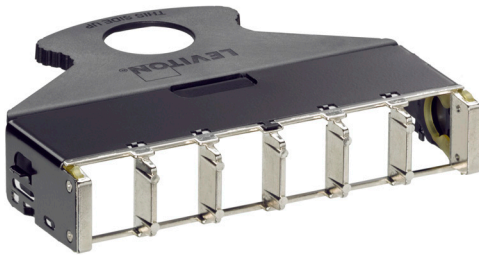


## e2XHD 6-Port QUICKPORT™ Copper Cassette

### APPLICATION

The e2XHD Patching System provides a high-density solution for enterprise and data center applications where fast deployment and simple maintenance are priorities. Cassettes quickly snap-in and pull out of 1RU panels, making installation, moves, adds, and changes easier than ever. A rear cable manager is available to support incoming fiber and copper cables, and blank cassettes snap into the rear of panels to block any unused openings. Copper cassettes are available either on pre-terminated trunks or empty. Fiber cassettes are pre-terminated.



### SPECIFICATION

Copper cassettes shall snap into the rear of the panel, require no tools to remove, and accept six ports. Cassettes are compatible with shielded and UTP connectors. Cassettes meet all ANSI/TIA-568.0-D requirements.

### FEATURES & BENEFITS

- Copper cassettes are compatible with shielded and UTP connectors
- Connectors easily snap into cassette after termination
- Alignment tabs on the rear of the panel ensure upright insertion of cassettes
- To remove cassettes from panel, simply pull out handle using release latch
- QUICKPORT Connector Removal Tool is available to remove connectors from cassettes

### DESIGN CONSIDERATIONS

- Panels hold up to 8 cassettes (48 copper ports) per rack unit
- 6 copper ports per cassette

### STANDARDS & REGULATIONS

- ANSI/TIA-568.0-D

### MECHANICAL SPECIFICATIONS

Dimensions:	See page two
Materials:	Cold-rolled steel and high-performance plastics
Capacity:	6 QUICKPORT Connector ports

### COUNTRY OF ORIGIN

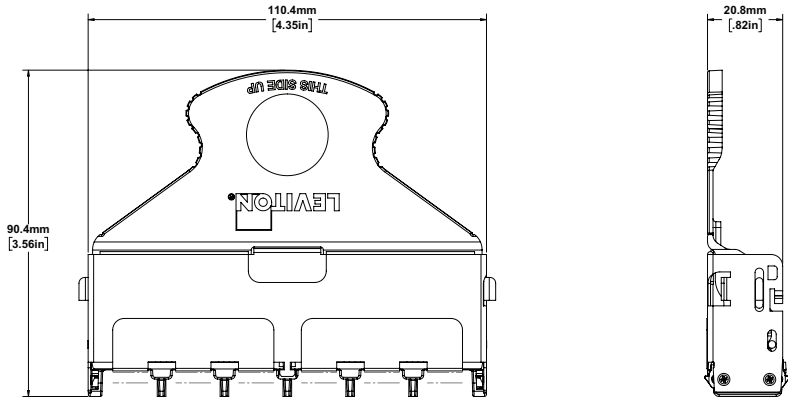
China

### WARRANTY INFORMATION

For Leviton product warranties, go to [Leviton.com/ns/warranty](http://Leviton.com/ns/warranty)

**PRODUCT SPECIFICATIONS**  
**E2XHD-BRK**

**E2XHD-BRK**



**e2XHD Copper Cassette Kit**

**PART NUMBER**

Description	Part No.
e2XHD 6-port QUICKPORT™ Cassette, empty	E2XHD-BRK

**PART NUMBER**

Description	Part No.
QUICKPORT™ Connector Removal Tool	E2XHD-JRT
e2XHD Copper Cassette, terminated to trunk cable	Configure online at <a href="http://Leviton.com/e2XHD">Leviton.com/e2XHD</a>

**QUICKPORT Connector Removal Tool**



Removes QuickPort modular copper connectors and fiber adapters from cassettes



e2XHD Copper Cassette, terminated to trunk cable

For further support information, visit [Leviton.com/ns/support](http://Leviton.com/ns/support)