

# 45 x 45 mm Fiber Faceplate Modules

Datasheet: GD066285v11



## APPLICATION

Leviton Fiber Faceplate Modules have been designed around the existing Euro-style (45 x 45 mm) faceplate. The product has been designed for use in installation poles, wall trunking, and back boxes. Suitable for Euro-style faceplates and when used in conjunction with adapter (MMCADCUNI4517) compatible with UK-style (50 x 50 mm) faceplates.

## FEATURES AND BENEFITS

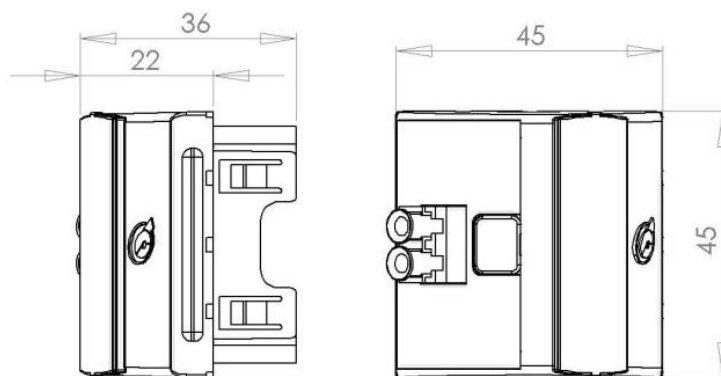
- Available in LC, SC, single-mode, and multimode
- Identification label with clear protective cover
- Ergonomic, rigid and robust design
- Shuttered fiber adapters
- Snap-in color icons for ease of identification
- Fully recyclable plastics used



## ORDER INFO

Part Number	Item Description	Weight per Item (nom)	Qty per Pack
FPCANGL4MM3	45 x 45 mm Fiber Faceplate Module, LC quad multimode, white	20g	10
FPCANGLCMM3	45 x 45 mm Fiber Faceplate Module, LC duplex multimode, white	20g	10
FPCANGL4SM3	45 x 45 mm Fiber Faceplate Module, LC quad single-mode, white	20g	10
FPCANGLCSM3	45 x 45 mm Fiber Faceplate Module, LC duplex single-mode, white	20g	10
FPCANGDCMM3	45 x 45 mm Fiber Faceplate Module, SC duplex multimode, white	20g	10
FPCANGDCSM3	45 x 45 mm Fiber Faceplate Module, SC duplex single-mode, white	20g	10

## PHYSICAL CHARACTERISTICS



# 45 x 45 mm Fiber Faceplate Modules

Datasheet: GD066285v11



## MATERIALS

- Flame Retardant ABS
- Clear polycarbonate
- Flame retardant PBT
- Packaging fully recyclable card

## CHARACTERISTICS

- Operating temperature from -10°C to 60°C at 93% relative humidity, non-condensing
- Storage temperature from -40°C to 70°C

## PORT IDENTIFICATION LABELS

Color	RAL Number
Signal Blue	RAL5005
Traffic Green	RAL6024
Traffic Yellow	RAL1023
Traffic Red	RAL3020

*“Leviton is **dedicated to designing, developing, and manufacturing** sustainable **high performance** structured cabling and specialty **cabling solutions.**”*

The information contained in this document is valid and correct at the time of issue. Leviton reserves the right to modify details without notice in light of subsequent standard/specification changes and ongoing technical developments.