

4

3

2

1

B

B

A

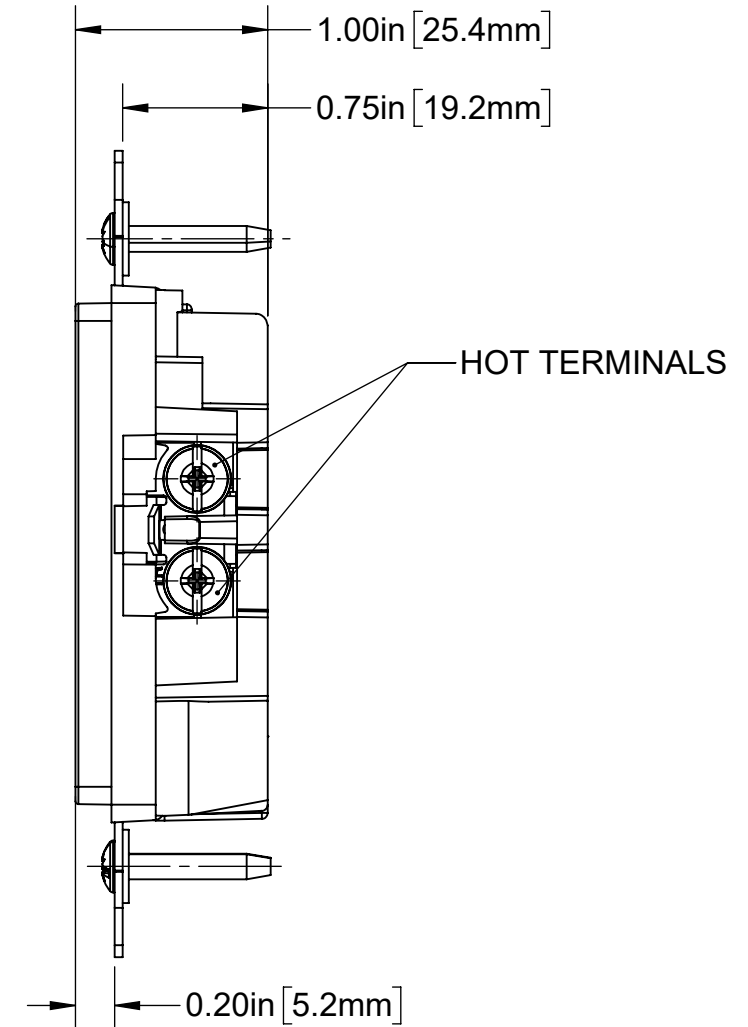
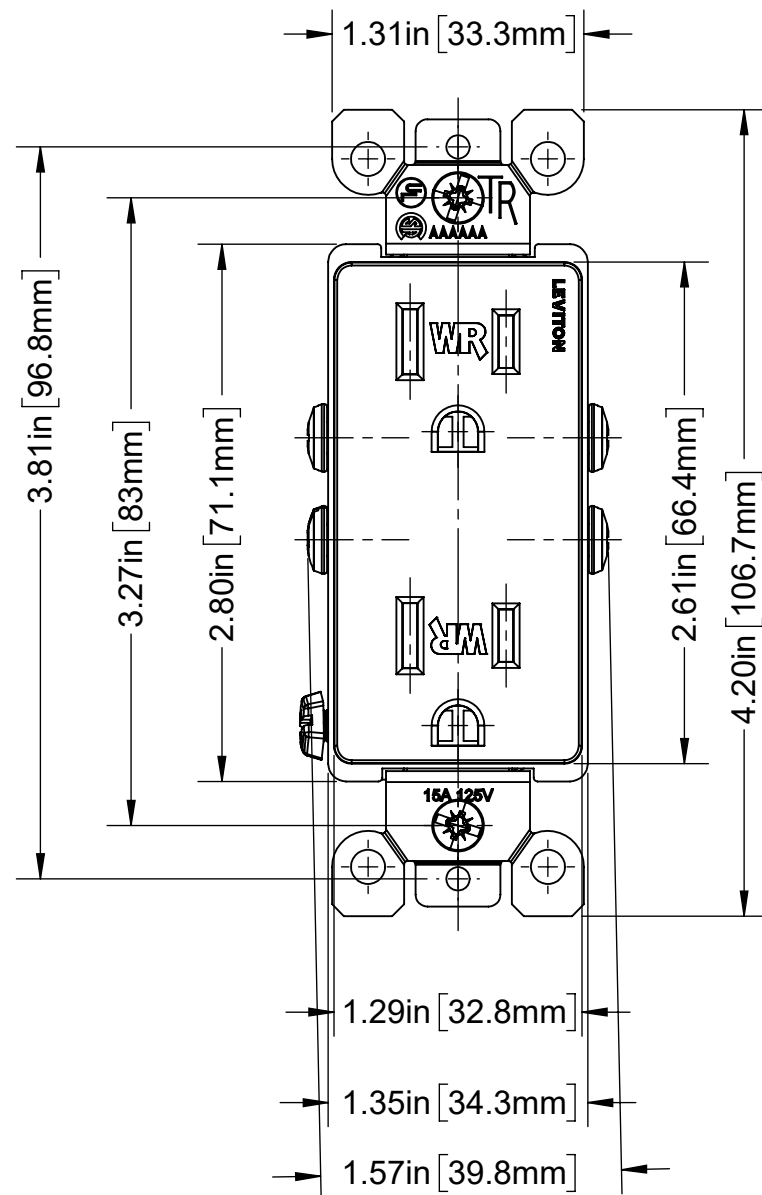
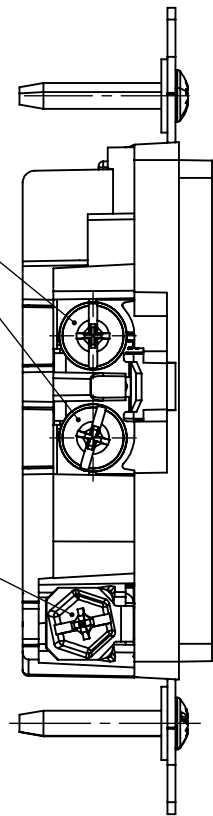
A

A

A

WHITE TERMINALS

GROUND TERMINAL



HOT TERMINALS

NOTES:

- 1. 15 Amp, 125 Volt, Weather and Tamper Resistant, Decora Receptacle
- 2. Dimensions given in inches/millimeters.

STATUS: In Work				
REV.	DATE	ECO NUMBER	CHGD	APVD
1	-	-	-	-
-	-	-	-	-
-	-	-	-	-
-	-	-	-	-

LEVITON
 The information in this document is the exclusive **PROPRIETARY** property of **LEVITON MFG. CO., INC.** It is disclosed with the understanding that acceptance or review by the recipient constitutes an undertaking by the recipient:
 (1) to hold this information in strict confidence.
 (2) not to disclose, duplicate, copy, or use the information, in whole or in part, for any purpose other than that for which disclosed.
 Copyright 2016. Unpublished. All Rights Reserved.

UNLESS OTHERWISE SPECIFIED:
 DO NOT SCALE DRAWING.
 ALL DIMENSIONS ARE IN INCHES.
 ALL ANGLES ARE IN DEGREES.

TOLERANCES

INCH	METRIC
.XX ± .01	.X ± .2 mm
.XXX ± .005	.XX ± .1 mm

ANGLES: ± 1/2°

THIRD ANGLE PROJECTION

ALL PRINTED COPIES ARE UNCONTROLLED

TITLE: **W5325**

DWN BY: WA 04/08/2021 ENGRG - -

CHK BY: - - MFG - -

DWG NO. **CATSTD-W5325-XXX-D01**

SIZE B	PROJECT NO. PROJ-03522	REV 1
SCALE:1:1	SHEET 1 OF 1	

4

3

2

1