

## Installation Instructions

---

Single Pole and 3-Way

### Decora® Slide Dimmer

Cat. No. ESL01

READ THESE INSTRUCTIONS BEFORE INSTALLING.

For French instructions, click below:

[Français](#)

## Installation Steps

1. **Lever Edge**
2. **Decora Slide Dimmer**
3. **Features**
4. **Lever Edge wiring features**
5. **We are here to help**
6. **Recommended tools**
7. **Wallplate preparation**
8. **Single pole wiring**
9. **3-way wiring**  
(most common)
10. **Test and install**
11. **Single-gang box installation**
12. **Multi-gang box installation**
13. **Changing the color of your dimmer**
14. **Customization**  
(Optional)
15. **Factory default reset**
16. **What to do if...**
17. **Safety first**
18. **Limited 1 year warranty & exclusions**

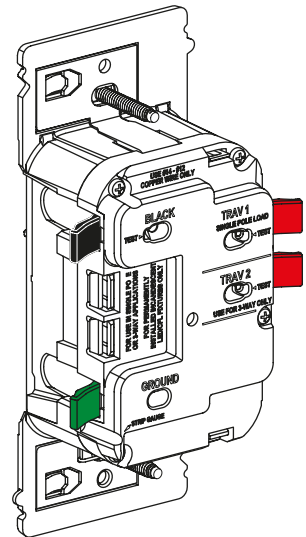
# 1. Lever Edge

## SAFER, FASTER, and EASIER

Leviton's Lever Edge technology makes the installation process safer, faster, and easier. Just push, click, and you are done!

This innovative installation method is based on color-coded lever terminals for faster, more efficient wiring; a larger strap with a unique tongue and groove alignment for quicker trim-out on multi-gang installations, and no exposed metal parts for safety.

Wiring devices with the Lever Edge technology are the ideal solutions for both DIY and Pro users, looking for a practical and safer way to install electrical devices.

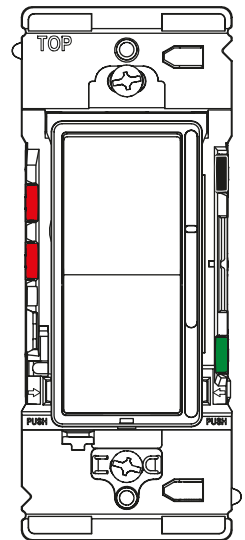


# 2. Decora Slide Dimmer

Leviton's ESL01 Decora Slide dimmer with Lever Edge technology features a familiar rocker switch and slide bar aesthetic. The dimmer offers superior dimming performance with LED bulbs, and a faster, easier installation using Lever Edge terminals. The ESL01 works with existing wiring and is ideal for new and old homes, including single pole and 3-way installations, and is compatible with any 3-way switch.

The dimmer includes a setup button to easily adjust settings such as dimming range, fade on, startup configuration, and more.

Use with dimmable LED, CFL, incandescent or 120V halogen bulbs and fixtures only. For more information on compatible LED bulbs visit [www.leviton.com/led](http://www.leviton.com/led)

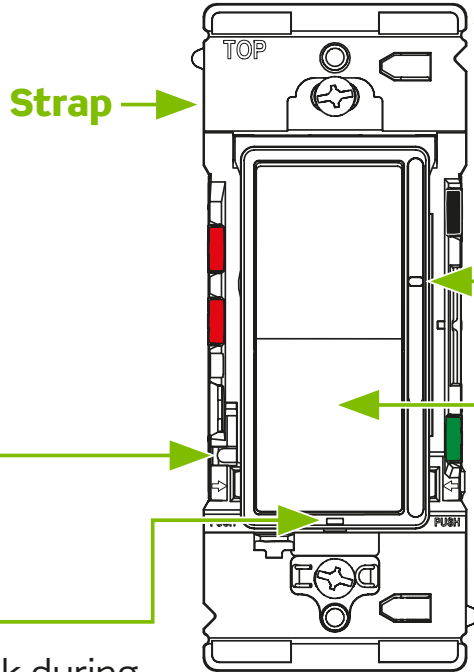


## RATINGS

General Use	120VAC, 60Hz
LED/CFL/Incandescent	150W
Operating Temperature	32°F to 104°F (0°C to 40°C)

# 3. Features

Front



**Break-off fin**

- Break off to install a standard size wallplate.

**Dim/bright slide bar**

- Manually adjust light levels.

**Rocker**

- Turns the light ON/OFF
- When in the OFF state, the dimmer is air gapped, and no power is provided to the lights.

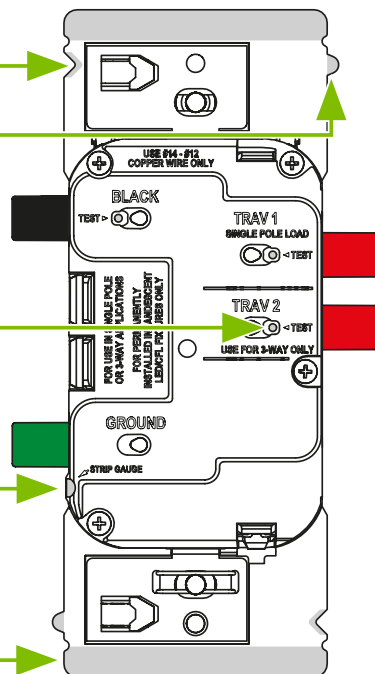
**Setup button**

- Use for configuration of dimmer settings.

**Status LED**

- Provides status feedback during dimmer setup.
- If Locator switch is enabled, the Status LED will be ON when lights are OFF to locate the dimmer in the dark.

Back



**Alignment tab and notch**

- Aligns devices for multi-gang installations.

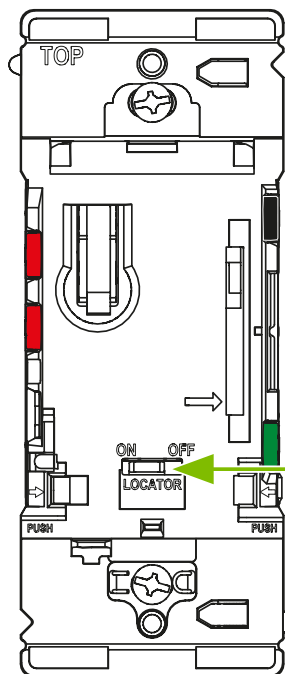
**Test portals**

- Use to test connections.

**Strip gauge**

**Break-off fins**

Front without faceplate

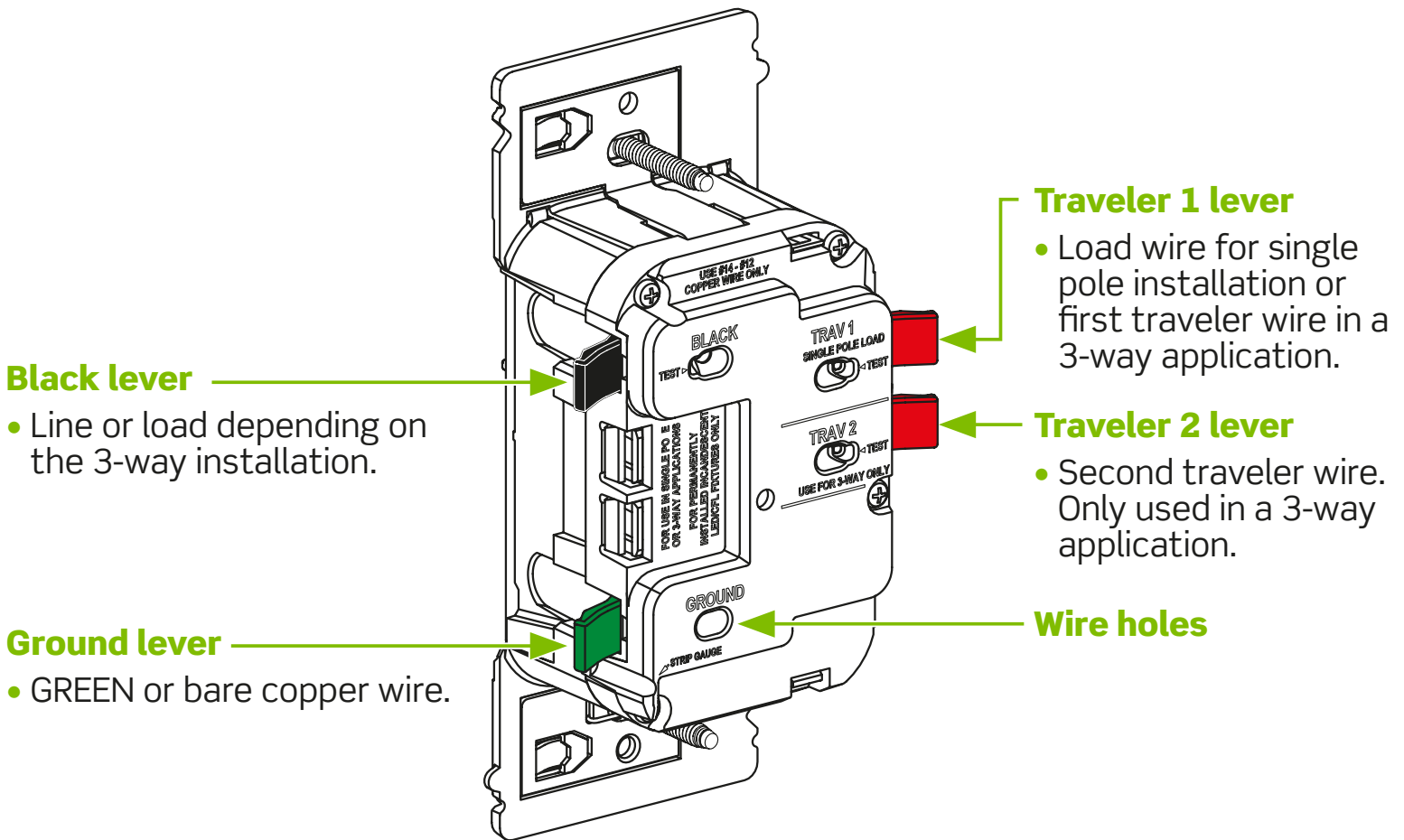


**Status LED switch**

- To access, remove the faceplate (see **step 1 of Changing the color of your dimmer**).
- Default is OFF. Switch to ON to enable Locator mode.

## 4. Lever Edge wiring features

The color-coded levers easily identify where to connect the wallbox wires to the dimmer switch. The colored levers snap shut to terminate the wires.



### NOTE:

• Wire colors in your wallbox may be different from the lever colors. See [Single pole wiring](#) or [3-way wiring](#) for installation instructions.

## 5. We are here to help



ONLINE

[www.leviton.com/support](http://www.leviton.com/support)



CALL

1-800-824-3005 (USA)

1-800-405-5320 (Canada)

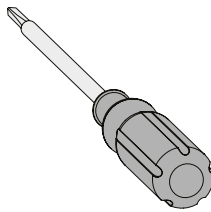


CHAT

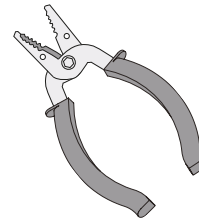
[www.leviton.com/contact](http://www.leviton.com/contact)

## 6. Recommended tools

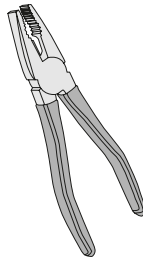
Slotted/phillips screwdriver



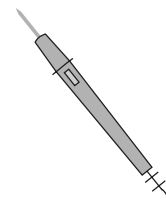
Wire stripper



Pliers



Voltage tester



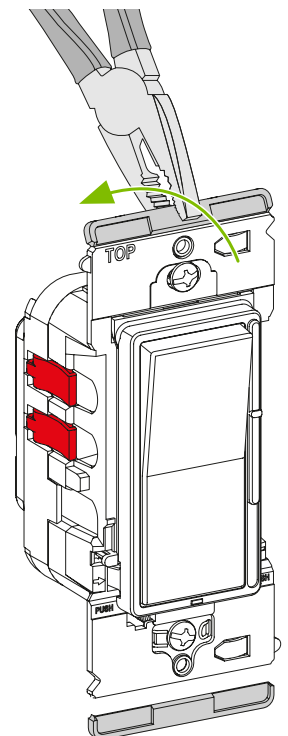
## 7. Wallplate preparation

The strap is designed for midway wallplates. If the wallplate you intend to use is a midway size wallplate, you **DO NOT** need to remove the break-off fins. If you want to use a standard size wallplate, remove both break-off fins before wiring your dimmer, as shown.

**NOTE:** Use pliers to bend the break-off fins backwards first and then forward to easily remove.

### DECORA WALLPLATE MEASUREMENTS

Standard	4.60 in. x 2.75 in. (11.68 cm x 6.98 cm) or 4.50 in. x 2.75 in. (11.43 cm x 6.98 cm)
Midway	4.88 in. x 3.13 in. (12.39 cm x 7.95 cm)



## 8. Single pole wiring

### Identify your wires

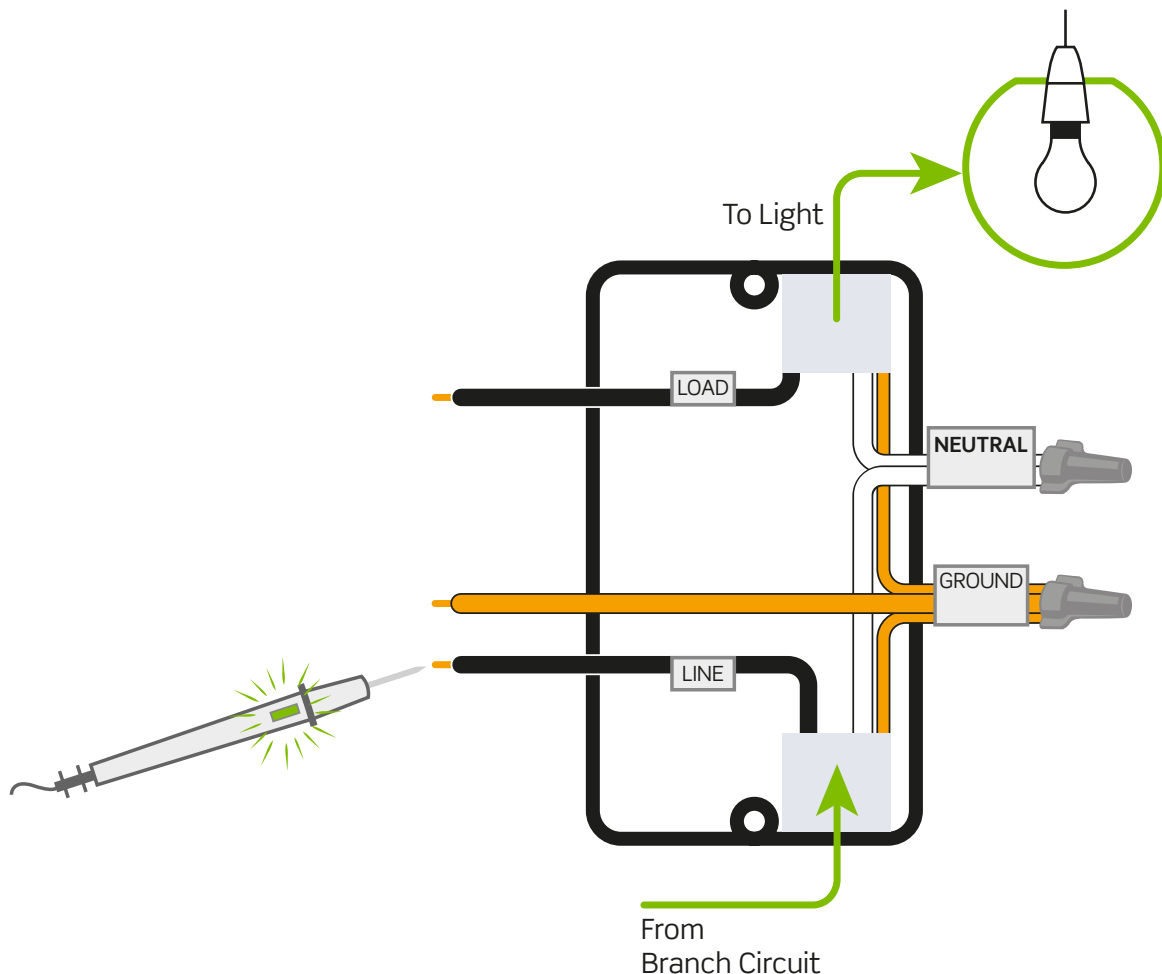
**WARNING: TO AVOID FIRE, SHOCK, OR DEATH, turn off power at the circuit breaker.**

#### Check your wallbox:

1. Remove wallplate and disconnect existing switch.
2. Restore power. Carefully test wires with voltage tester to find the line (hot) wire.
3. Turn off power at the circuit breaker.
4. Mark the wires as shown below.

#### NOTES:

- Use with #12 AWG or #14 AWG solid or stranded copper wire only.
- Neutral wires are typically white, and may be found bundled in a wire connector in the back of the wallbox. Neutral wires are not required to operate this device.
- Ground wires may be green or bare copper.



**If your wallbox looks different, call an electrician.**

**Quick Tip:** Depending on your installation, additional ground (green or bare copper) or line wire may be needed to complete the connections. If you are unsure, please consult an electrician.

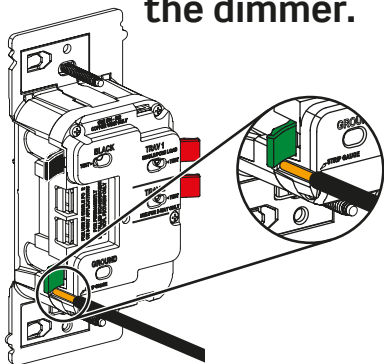
## Preparing wires

1. Recommend cutting previously used sections of copper wire, ensuring the ends are straight.



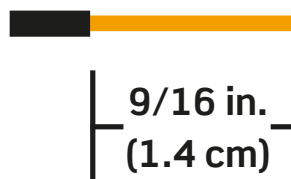
2. Strip each wire in the wallbox, as shown below.

Use built-in strip gauge on the dimmer.



OR

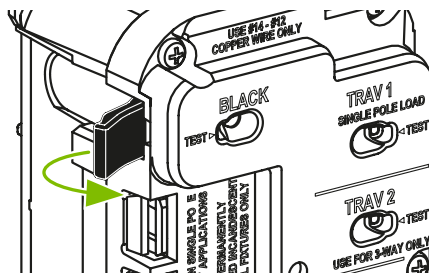
Use strip gauge as shown below.  
(not to scale)



## Wire your dimmer

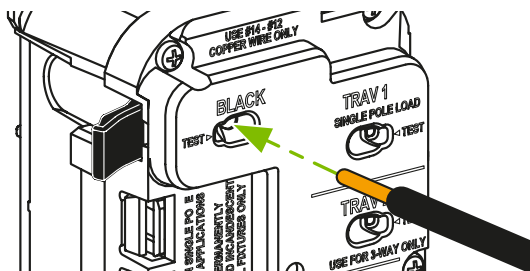
**NOTE:** Work only on one connection at a time.

1. Fully open lever.

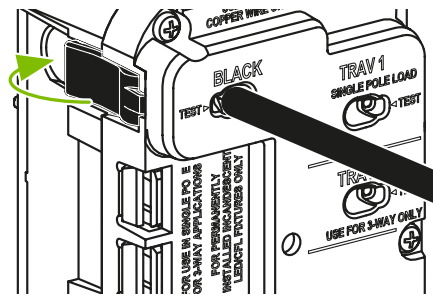


2. Insert the proper wire into the wire hole following the Single Pole wiring diagram in step 4. Make sure the wire is fully inserted, and no bare wire is exposed.

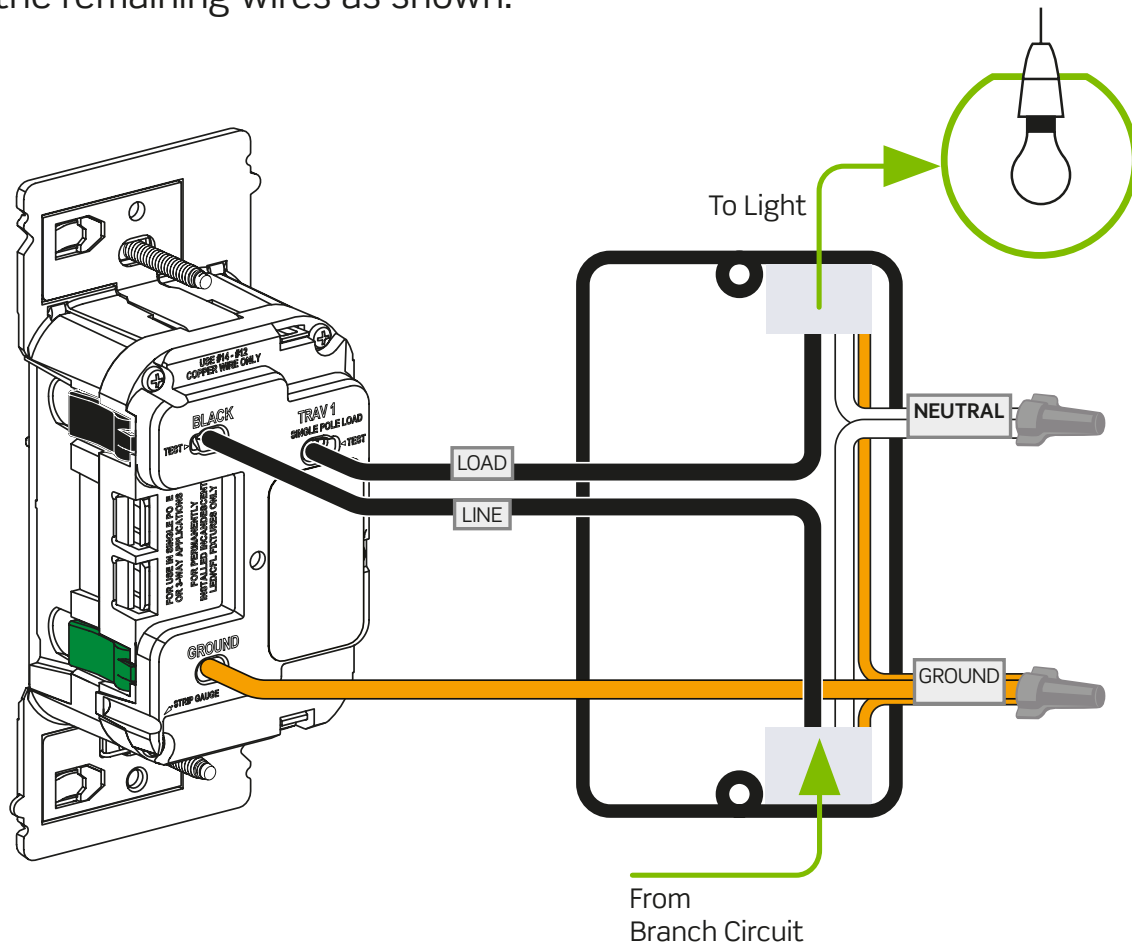
**NOTE:** If using stranded wire, twist wire before insertion.



3. Fully close lever.



4. Connect the remaining wires as shown.



**If your wallbox contains a different wiring configuration, contact Leviton's technical support team or consult an electrician.**

## 9. 3-way wiring (most common)

### Identify your wires

**WARNING: TO AVOID FIRE, SHOCK, OR DEATH, turn off power at the circuit breaker.**

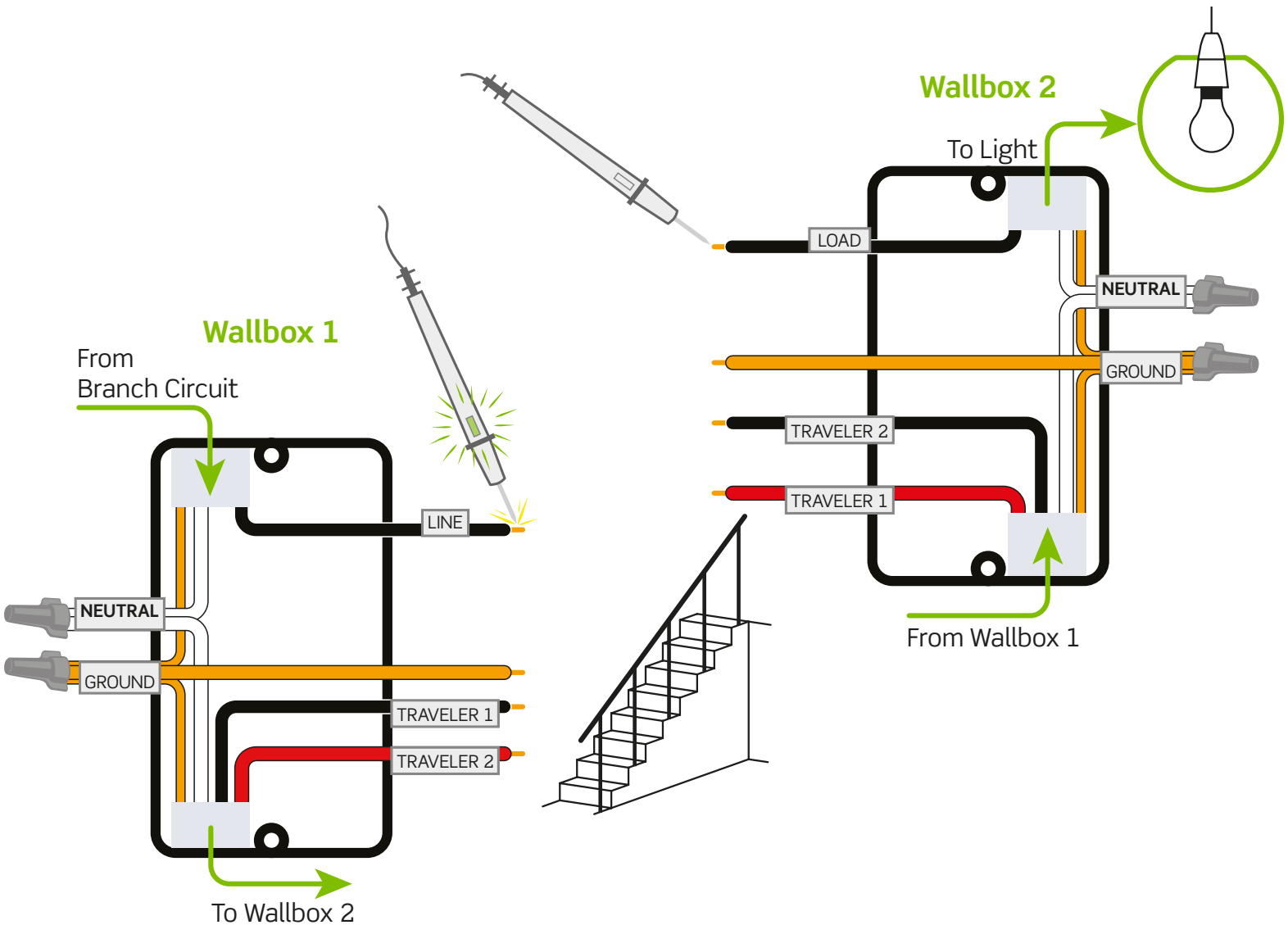
#### Check your wallbox:

1. Remove wallplate and disconnect existing switch.
2. Restore power. Carefully test wires with voltage tester to find the line (hot) wire.
3. Turn off power at the circuit breaker.
4. Mark the wires as shown below.



## NOTES:

- Use with #12 AWG or #14 AWG solid or stranded copper wire only.
- Neutral wires are typically white, and may be found bundled in a wire connector in the back of the wallbox. Neutral wires are not required to operate this device.
- Ground wires may be green or bare copper.



## NOTES:

- If installing the dimmer in wallbox 1 use the 3-way line side wiring diagram (see **3-way line side installation**).
- If installing the dimmer in wallbox 2 use the 3-way load side wiring diagram (see **3-way load side installation**).

**If your wallbox looks different, call an electrician.**

**Quick Tip:** Depending on your installation, additional ground (green or bare copper) or line wire may be needed to complete the connections. If you are unsure, please consult an electrician.

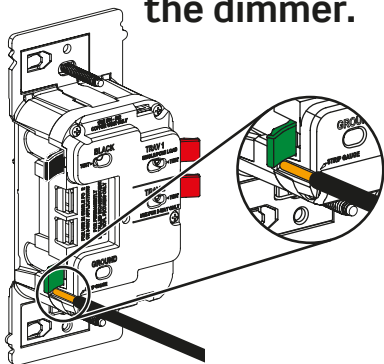
## Preparing wires

1. Recommend cutting previously used sections of copper wire, ensuring the ends are straight.



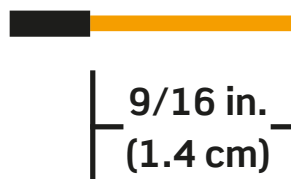
2. Strip each wire in the wallbox, as shown below.

Use built-in strip gauge on the dimmer.



OR

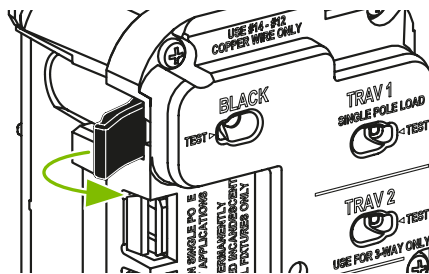
Use strip gauge as shown below.  
(not to scale)



## Wire your dimmer

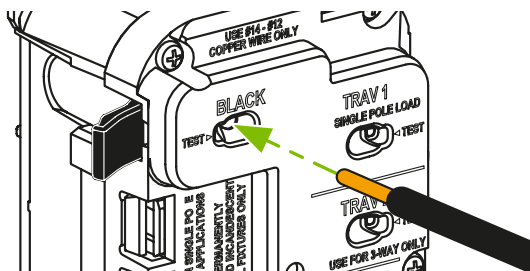
**NOTE:** Work only on one connection at a time.

1. Fully open lever.

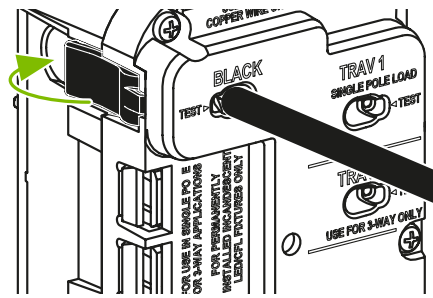


2. Insert the proper wire into the wire hole following the Single Pole wiring diagram in step 4. Make sure the wire is fully inserted, and no bare wire is exposed.

**NOTE:** If using stranded wire, twist wire before insertion.



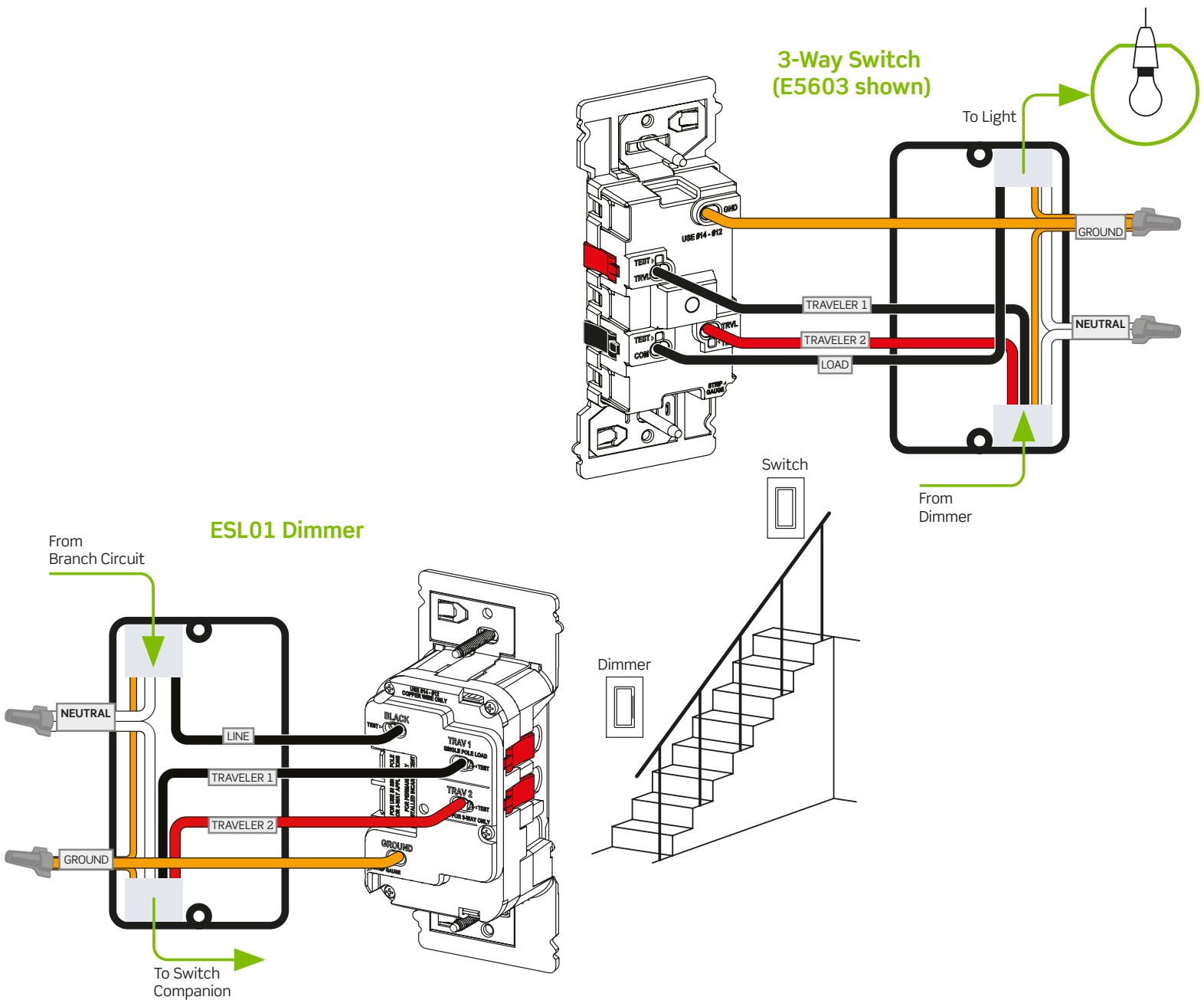
3. Fully close lever.



4. Connect the remaining wires as shown.

### 3-way line side installation

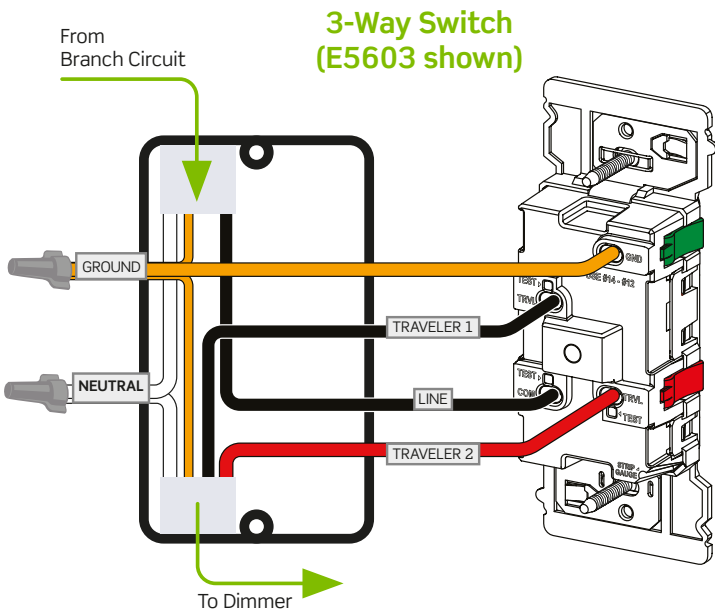
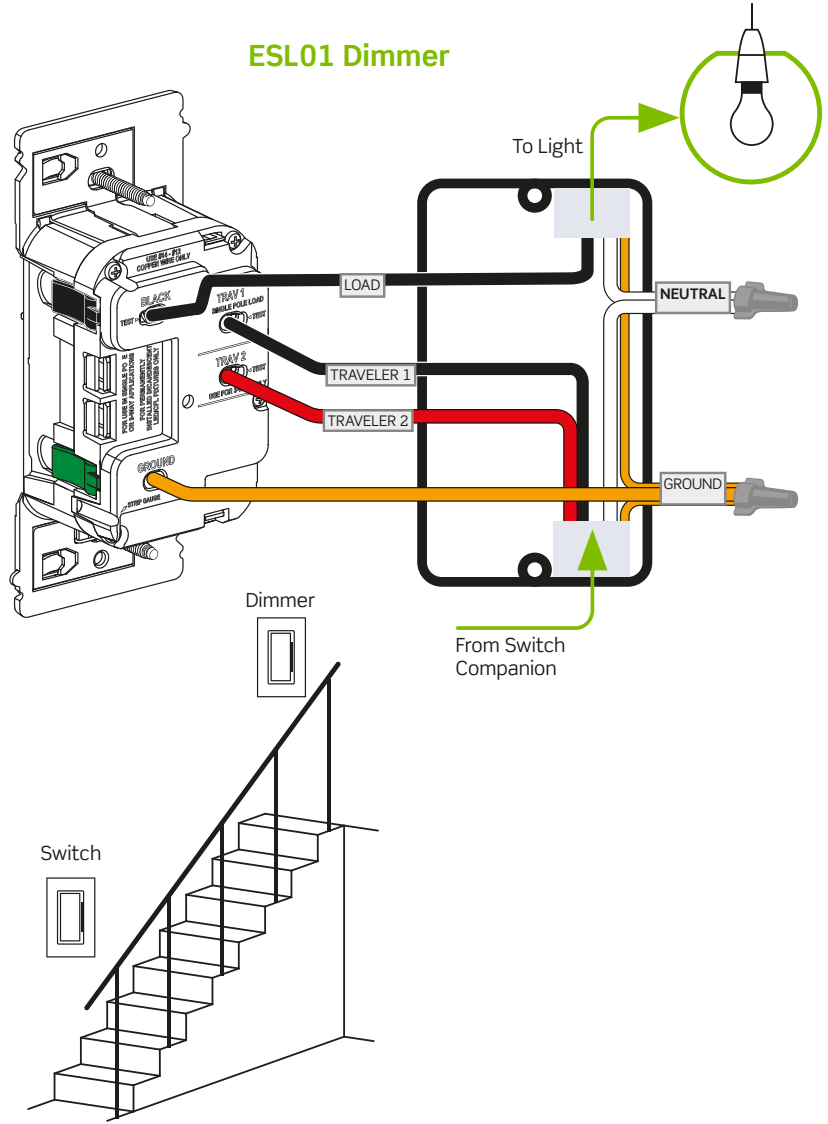
If installing the dimmer in the wallbox with the line from the branch circuit.



**If your wallbox contains a different wiring configuration, contact Leviton's technical support team or consult an electrician.**

### 3-way load side installation

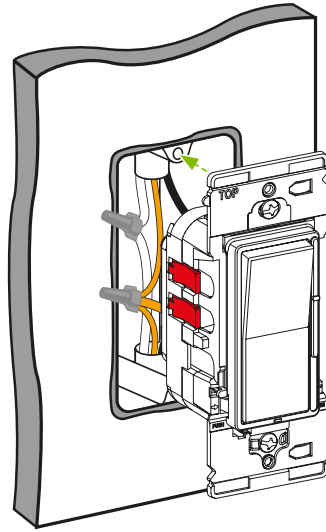
If installing the dimmer in the wallbox with the load connection from the lights.



**If your wallbox contains a different wiring configuration, contact Leviton's technical support team or consult an electrician.**

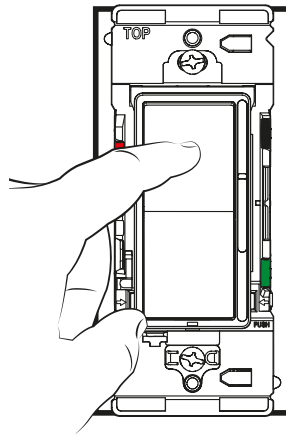
## 10. Test and install

1. Position all wires so that there is room in the wallbox for the device.
2. Partially screw the mounting screws into the wallbox's mounting holes.



3. Restore power at the circuit breaker or fuse.
4. To confirm the dimmer is receiving power, carefully hold the dimmer and move the slide bar to highest position and press the top of the rocker. Lights should turn ON to brightest level.

**NOTE:** If lights do not turn ON, see [What to do if...](#)



**WARNING:** Turn off power at the circuit breaker before screwing in your dimmer.

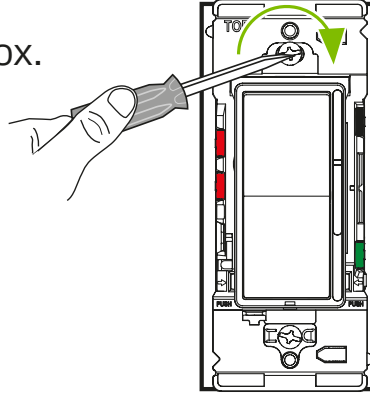
5. To complete the installation proceed to the next section.

If you are unsure about the installation process, contact [Leviton Technical Support](#), or contact an electrician.

## 11. Single-gang box installation

**WARNING:** Turn the power OFF at the circuit breaker or fuse before you tighten the screws.

1. Tighten the mounting screws into wallbox.



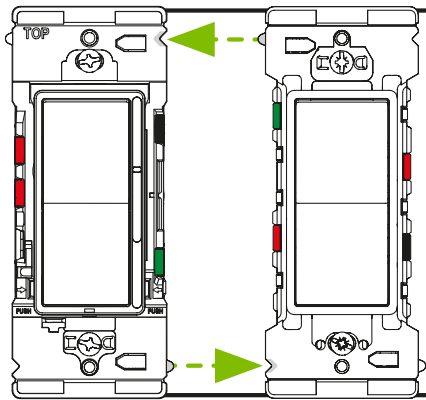
2. Install wallplate, and restore power.

## 12. Multi-gang box installation

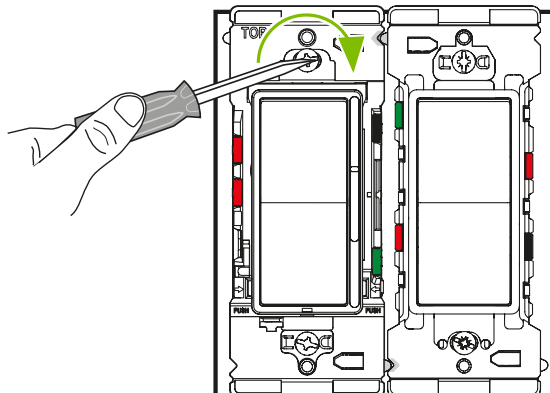
**WARNING:** Turn the power OFF at the circuit breaker or fuse before you tighten the screws.

**NOTE:** No derating is required in multi-gang applications.

1. To install the switch next to other Lever Edge devices, use the alignment feature to easily place each device next to each other in the multi-gang box.



2. Tighten the mounting screws into wallbox.



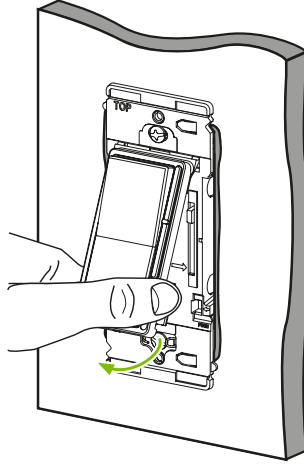
3. Install wallplate, and restore power.

## 13. Changing the color of your dimmer

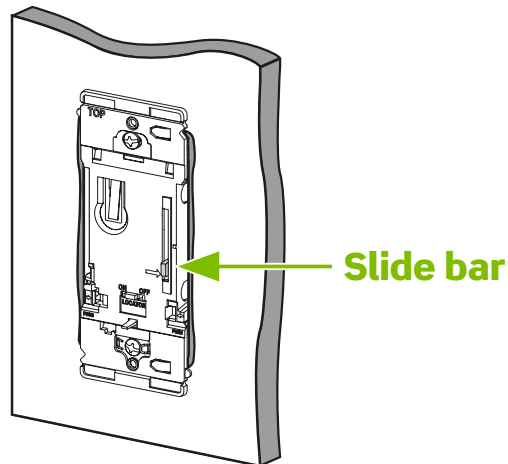
You can easily change the color of your dimmer using DSKIT faceplates available in 7 color options: white, ivory, light almond, gray, black, brown and red.

To change the color of the device, proceed with the following steps to remove the faceplate and snap on a new color.

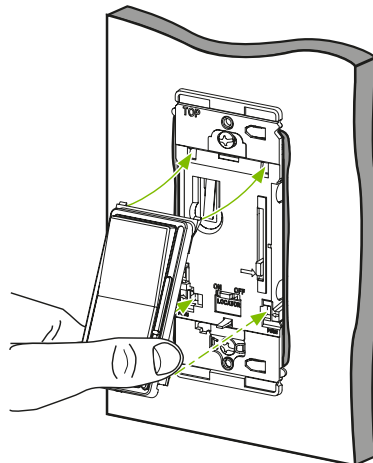
1. Press the side of the color kit at either bottom tab and pull forward to release.



2. Align slide bar with alignment arrow as shown. Move the slide bar of the color kit to the bottom.



3. Insert top tabs of the color kit into the slots on the top of the dimmer. Then press the bottom of the color kit in until it snaps into place.

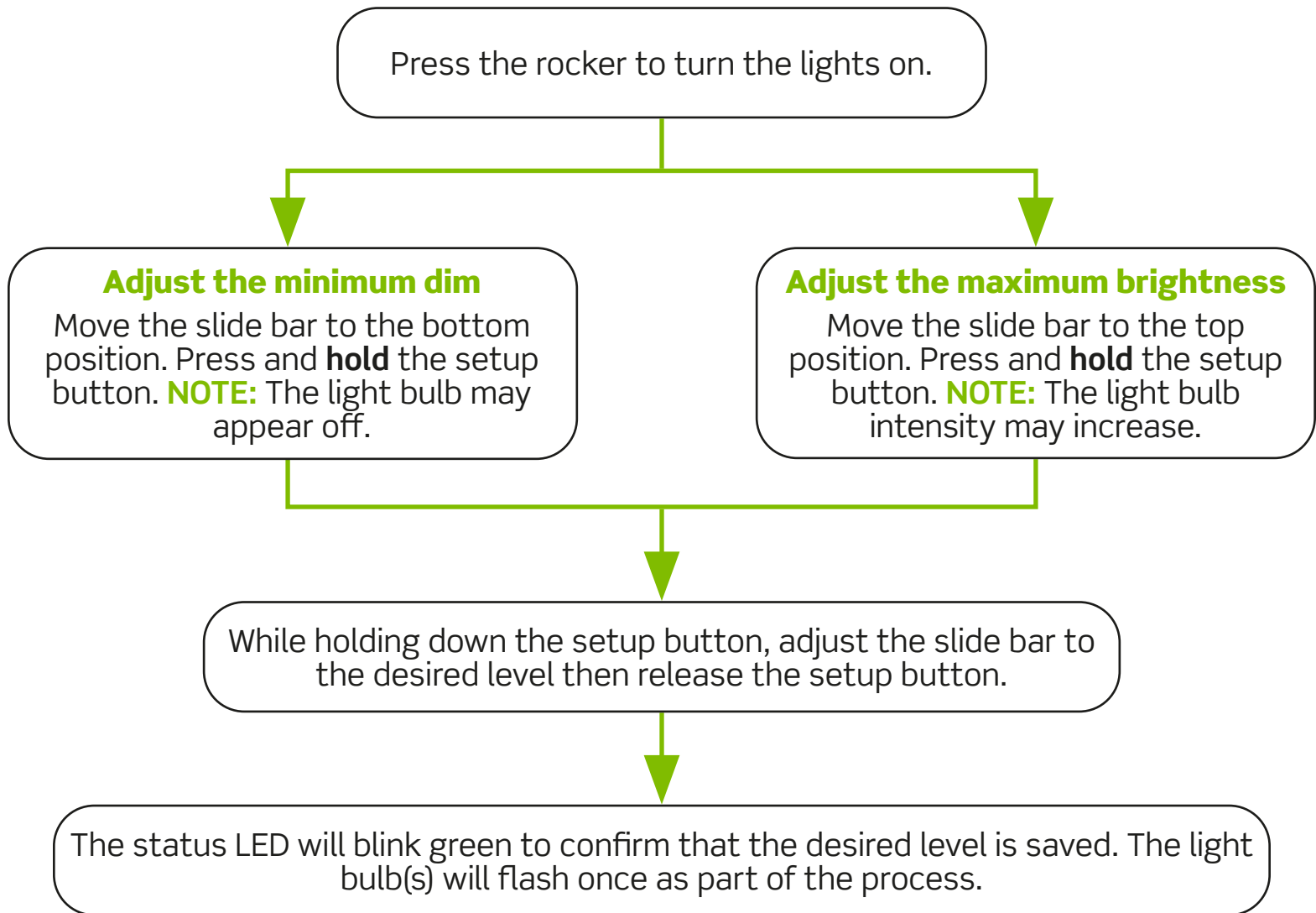


## 14. Customization (optional)

Dimmer settings allow you to customize your device and can be configured using the device's setup button.

### Minimum dim and maximum bright level

Optionally adjust the minimum dim or maximum brightness level to increase compatibility with LED bulbs.





## “Turn on” configuration

Press the rocker to turn the lights on.

Move the slide bar to the middle position.

Tap the setup button to cycle through the below options.

The status LED will slowly blink a number of times according to the setting selected. The light bulb(s) will flash once after the status LED blinks to confirm the selection, and the setting will be saved.

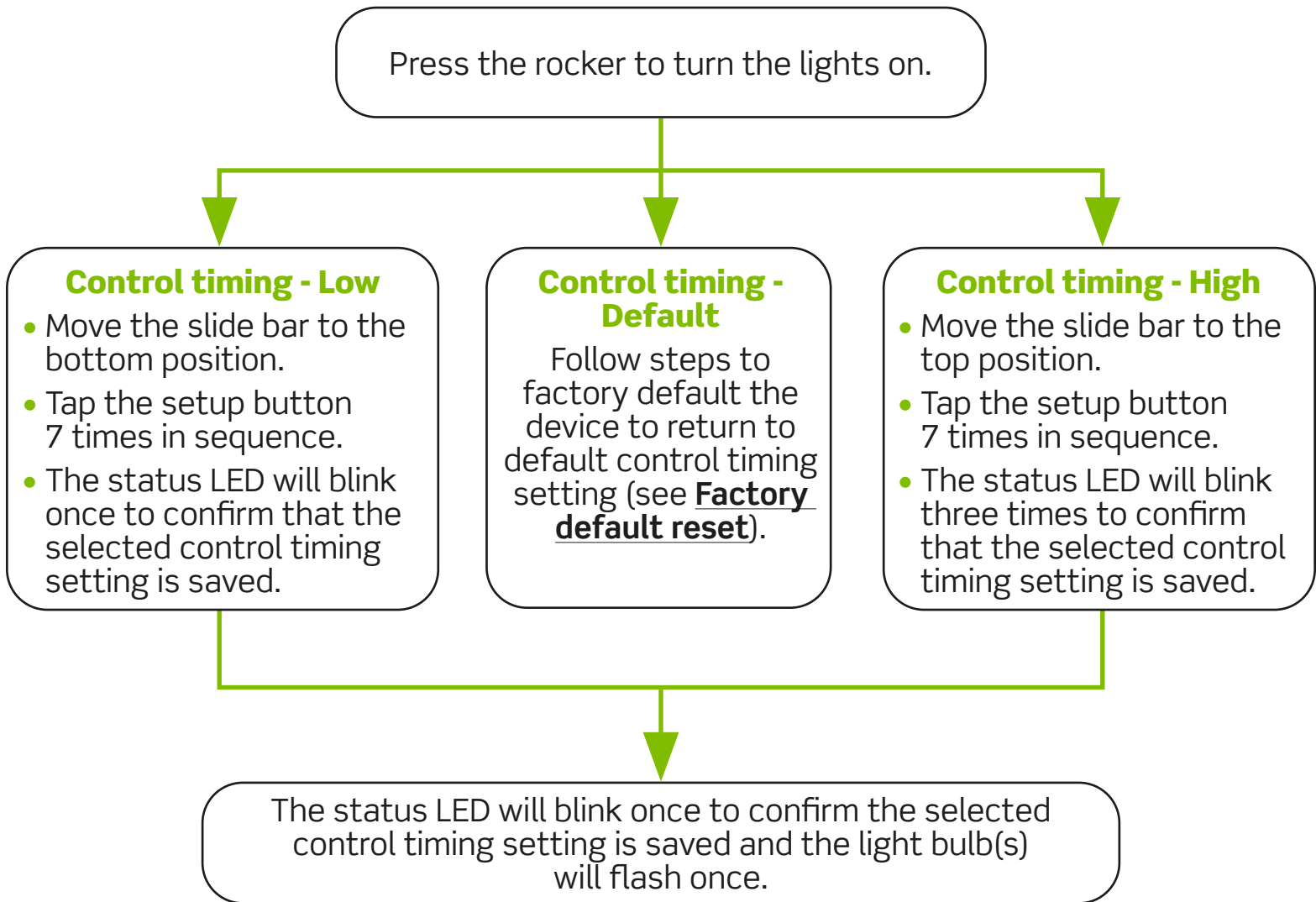
NUMBER OF BLINKS	SETTING	DESCRIPTION
1 blink	Snap-On	Pressing the rocker turns the lights on at the preset level with no fade on.
2 blinks	Fade On	Pressing the rocker fades the lights up to the preset level. <b>NOTE:</b> Fade on time can vary depending on the bulb being used.
3 blinks	Kickstart (low)	Adjusts timing of turn on to prevent multiple LED bulbs in a fixture from turning on at different times.
4 blinks	Kickstart (medium)	
5 blinks	Kickstart (high)	

### Example:

- To select kickstart medium mode, tap the setup button one time and the status LED will blink once
- Tap the setup button once again and the status LED will blink twice
- Tap the setup button once again and the status LED will blink three times.
- Kickstart medium mode is now saved. Remember, the light bulb will flash after the status LED blinks to confirm the selection.

## Control timing

Control timing can be used to help improve dimming performance if the lights pulse at certain dimming levels or when fading on or off. If your lights are flickering at low light levels, try increasing the minimum dim level first.



## 15. Factory default reset

1. Press the rocker to turn the lights on.
2. Move the slide bar to the middle position.
3. Press and hold the setup button for 14 seconds or until the status LED quickly blinks green.
4. Release the setup button. The light bulb(s) will flash one time. The dimmer is now factory defaulted.

### NOTE:

- In the factory default configuration, the dimmer meets NEMA SSL 7A requirements.

## 16. What to do if...

### **Light does not turn ON:**

- Circuit breaker or fuse has tripped.
- Bulb is burned out.

### **When power is applied, the light turns on, but the dimmer is not able to change the light level:**

- Confirm that the dimmer is wired correctly.

### **Lights do not turn ON immediately:**

- Confirm that the dimmer is wired correctly.

### **Intermittent dimmer operation:**

- Confirm the load does not exceed its ratings.

### **LED flicker or dead travel at low end of dimming range:**

- Follow the Minimum Dim Level configuration steps to increase the low end of the dimming range to the point that does not cause the LED bulb to flicker.

### **LED flicker or dead travel at the high end of the dimming range:**

- Follow the Maximum Bright Level configuration steps to decrease the high end of the dimming range to the point that does not cause the LED bulb to flicker.

### **LED bulb flickers throughout dimming range**

- Ensure the bulbs are marked dimmable.
- Use the Leviton LED Compatibility Tool to find compatible bulbs at [www.leviton.com/led](http://www.leviton.com/led)
- Try adjusting Control Timing to optimize performance.

### **LED bulb(s) remains ON or glow when dimmer is OFF**

- Turn the Locator Light Switch to the OFF position.

Visit [my.leviton.com](http://my.leviton.com) or contact Technical Services for additional help (see [We are here to help](#)).

## 17. Safety first

### WARNINGS:

- **TO AVOID FIRE, SHOCK, OR DEATH; TURN OFF POWER** at circuit breaker or fuse and test that power is off before wiring!
- To be installed and/or used in accordance with electrical codes and regulations.
- If you are unsure about any part of these instructions, consult an electrician.

### CAUTIONS:

- Use with compatible dimmable LED, CFL, Incandescent or 120V halogen fixtures only.
- Use this device with solid or stranded copper wire only.
- When multiple bulbs are used with one dimmer DO NOT mix bulb types. All bulbs shall be either LED, CFL or incandescent. Using the same make/model of each bulb will enhance performance.
- Use only one (1) dimmer in a 3-way circuit. The switch(es) will turn the light on at the brightness level selected at the dimmer.
- To avoid overheating and possible damage to this device and other equipment, DO NOT install to control a receptacle, a motor or a transformer-operated appliance, or any other lighting sources than those specified.
- To avoid damage to the product, DO NOT use disinfecting products, including foggers, sprays or other types of atomized cleaning agents. DO NOT spray liquid onto the product. To clean, use a damp cloth with mild soap and dry well. DO NOT use a wet cloth to clean the back of a module.

## 18. Limited 1 year warranty & exclusions

For Leviton's limited product warranty, go to [www.leviton.com](http://www.leviton.com). For a printed copy of the warranty, call 1-800-824-3005.

### FOR CANADA ONLY

For warranty information and/or product returns, residents of Canada should contact Leviton in writing at Leviton Manufacturing of Canada ULC to the attention of the Quality Assurance Department, 165 Hymus Blvd, Pointe-Claire (Quebec), Canada H9R 1E9 or by telephone at 1-800-405-5320.

### FCC COMPLIANCE STATEMENT

This equipment has been tested and found to comply with the limits for a Class B digital device, pursuant to part 15 of the FCC Rules. These limits are designed to provide reasonable protection against harmful interference in a residential installation. This equipment generates, uses and can radiate radio frequency energy and, if not installed and used in accordance with the instructions, may cause harmful interference to radio communications. However, there is no guarantee that interference will not occur in a particular installation. If this equipment does cause harmful interference to radio or television reception, which can be determined by turning the equipment off and on, the user is encouraged to try to correct the interference by one or more of the following measures:

- Reorient or relocate the receiving antenna.
- Increase the separation between the equipment and receiver.
- Connect the equipment into an outlet on a circuit different from that to which the receiver is connected.
- Consult the dealer or an experienced radio/TV technician for help.

### FCC CAUTION

Any changes or modifications not expressly approved by Leviton Manufacturing Co., Inc., could void the user's authority to operate the equipment.

### FCC SUPPLIER'S DECLARATION OF CONFORMITY

Model ESL01 is sold by Leviton Manufacturing Co., Inc. 201 N. Service Rd., Melville, NY 11747. [www.leviton.com](http://www.leviton.com)  
This device complies with part 15 of the FCC Rules. Operation is subject to the following two conditions: (1) This device may not cause harmful interference, and (2) this device must accept any interference received, including interference that may cause undesired operation.

### IC STATEMENT

This device complies with Industry Canada license-exempt RSS standard(s). Operation is subject to the following two conditions: (1) this device may not cause interference, and (2) this device must accept any interference, including interference that may cause undesired operation of the device.

### COPYRIGHT AND TRADEMARK INFORMATION

Decora and Lever Edge are the trademarks of Leviton Manufacturing Co., Inc.; Decora is registered in the U.S., Canada, Mexico and China.

Use herein of other third party trademarks, service marks, trade names, brand names and/or product names are for informational purposes only, are/may be the trademarks of their respective owners; such use is not meant to imply affiliation, sponsorship, or endorsement. No part of this document may be reproduced, transmitted or transcribed without the express written permission of Leviton Manufacturing Co., Inc.

Leviton Manufacturing Co., Inc.

201 North Service Road, Melville, NY 11747

© 2025 Leviton Manufacturing Co., Inc. All rights reserved.

Specifications subject to change at any time without notice.



## Directives d'installation

---

### Gradateur à glissière Decora<sup>MD</sup>

unipolaire et à trois voies

No de cat. ESL01

LIRE LES PRÉSENTES DIRECTIVES AVANT DE PROCÉDER À L'INSTALLATION.

## Étapes d'installation

- 1. Lever Edge**
- 2. Gradateur à glissière Decora**
- 3. Caractéristiques**
- 4. Caractéristiques de câblage des dispositifs Lever Edge**
- 5. Nous sommes là pour vous aider**
- 6. Outils recommandés**
- 7. Préparation de la plaque**
- 8. Câblage unipolaire**
- 9. Câblage à trois voies (le plus courant)**
- 10. Test et fin de l'installation**
- 11. Installation d'un seul dispositif**
- 12. Installation groupée**
- 13. Changement de couleur du gradateur**
- 14. Personnalisation (facultatif)**
- 15. Rétablissement des paramètres d'usine**
- 16. Que faire si...**
- 17. La sécurité avant tout**
- 18. Garantie limitée d'un an et exclusions de recours**

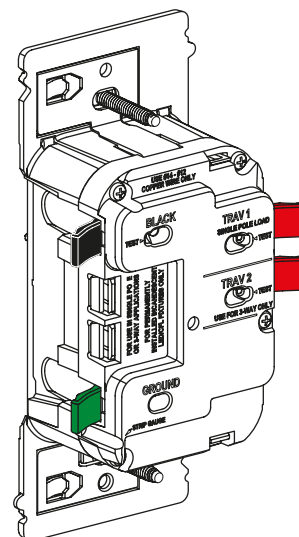
# 1. Lever Edge

## Installation plus FACILE, RAPIDE et SÉCURITAIRE

La technologie Lever Edge de Leviton rend le processus d'installation plus facile, rapide et sécuritaire. Il suffit d'insérer, de fermer, et c'est terminé!

Cette méthode d'installation novatrice utilise des bornes à levier chromocodées pour un câblage plus rapide et plus efficace, une bride plus large dotée de saillies et d'encoches d'alignement accélérant les installations groupées, et une conception sans composant métallique exposé pour plus de sécurité.

Les dispositifs de câblage dotés de la technologie Lever Edge sont la solution idéale pour les bricoleurs et les professionnels qui recherchent un moyen pratique et plus sûr d'installer des appareils électriques.

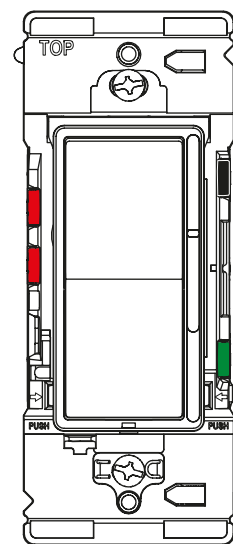


# 2. Gradateur à glissière Decora

Le gradateur à glissière Decora ESL01 de Leviton, doté de la technologie Lever Edge, comporte un interrupteur à bascule et une glissière à l'esthétique familière. Le gradateur offre des performances de gradation supérieures avec les ampoules à DEL, et une installation plus rapide et plus facile grâce aux bornes Lever Edge. Le gradateur ESL01 fonctionne avec le câblage existant et est idéal pour les maisons neuves et anciennes, y compris les installations unipolaires et à trois voies, et est compatible avec tout interrupteur à trois voies.

Il possède un bouton de configuration qui permet d'ajuster facilement les paramètres tels que la plage de gradation, l'allumage en douceur, la configuration de démarrage, etc.

À utiliser uniquement avec des ampoules à DEL, LFC, incandescentes ou halogènes réglables de 120 V. Pour obtenir plus de renseignements sur les ampoules à DEL compatibles, visitez le site [www.leviton.com/led](http://www.leviton.com/led)



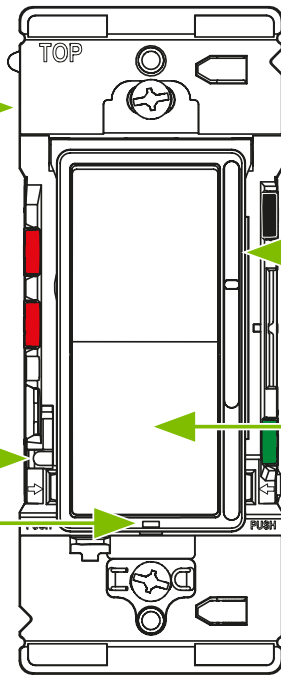
### VALEURS NOMINALES

Usage général	120 V c.a., 60 Hz
DEL/LFC/à incandescence	150 W
Températures de fonctionnement	De 32 à 104 °F (0 à 40 °C)

### 3. Caractéristiques

Avant

Bride →



← **Ailette détachable**

- À retirer si on veut utiliser une plaque de format standard.

← **Glissière de gradation**

- Réglage manuel des niveaux d'éclairage.

← **Bascule**

- Allume/éteint la lumière
- Lorsqu'il est désactivé, le gradateur est fermé et les lampes sont hors tension.

→ **Bouton de configuration**

- Permet de configurer les paramètres du gradateur.

→ **Témoin d'état**

- Indique l'état pendant la configuration du gradateur.
- Si l'interrupteur de localisation est activé, le témoin d'état s'allume lorsque les lumières sont éteintes afin de pouvoir repérer le gradateur dans l'obscurité.

Arrière

Avant  
(sans plaque)

→ **Encoche et saillie d'alignement**

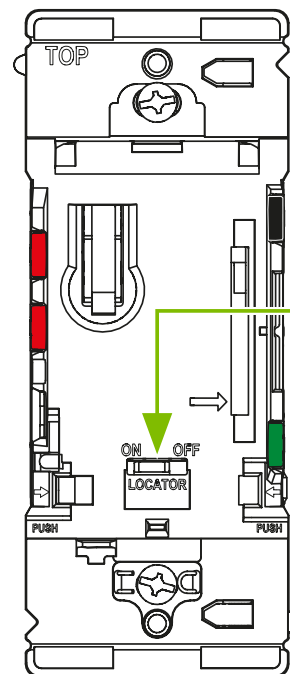
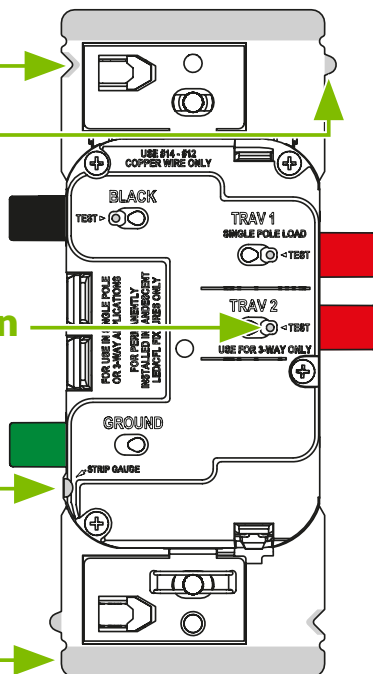
- Permet d'aligner les dispositifs pour une installation groupée.

→ **Ports de vérification**

- Utilisés pour tester les connexions.

→ **Gabarit de dénudage**

→ **Ailettes détachables**



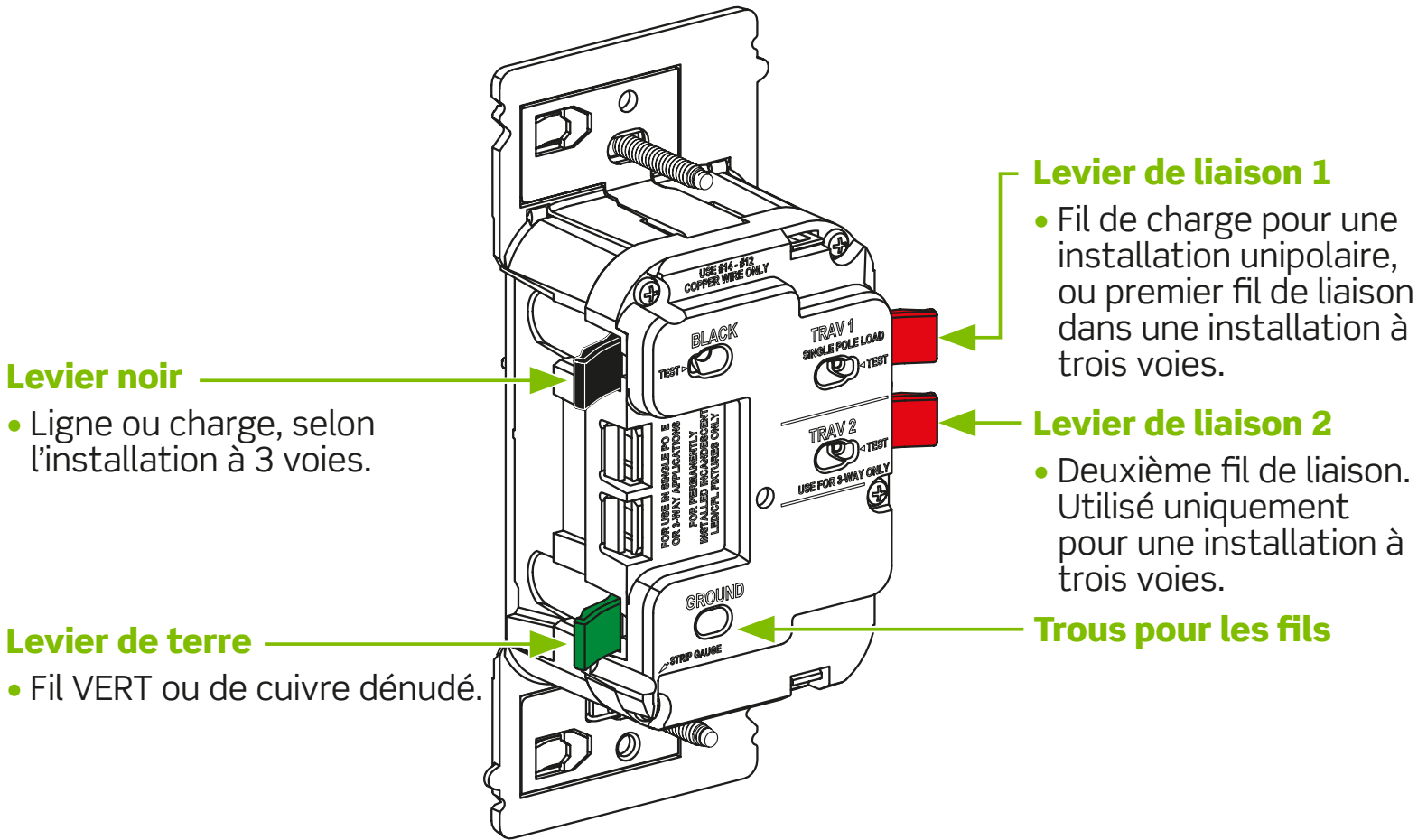
→ **Interrupteur du témoin d'état**

- Pour y accéder, retirer la plaque (voir **Changement de couleur du gradateur - étape 1**).
- Désactivé par défaut. Mettre à la position ON pour activer le mode de localisation.



## 4. Caractéristiques de câblage des dispositifs Lever Edge

Les leviers chromocodés permettent de déterminer facilement où raccorder les fils de l'interrupteur-gradateur. Des leviers chromocodés se referment sur les fils.



### REMARQUE :

- La couleur des fils dans votre boîte murale peut différer de celle des leviers. Voir Câblage unipolaire ou Câblage à trois voies pour les instructions d'installation.

## 5. Nous sommes là pour vous aider



EN LIGNE

[www.leviton.com/support](http://www.leviton.com/support)



TÉLÉPHONE

1 800 824-3005 (États-Unis)

1 800 405-5320 (Canada)

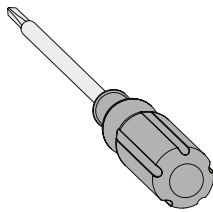


CLAVARDAGE

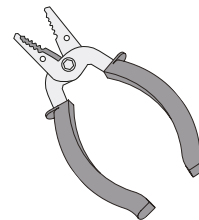
[www.leviton.com/contact](http://www.leviton.com/contact)

## 6. Outils recommandés

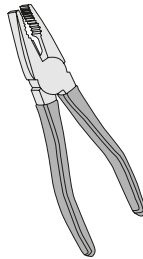
Tournevis ordinaire/Phillips



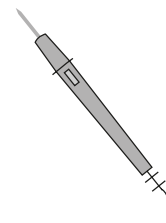
Dénudeur



Pince



Testeur de tension



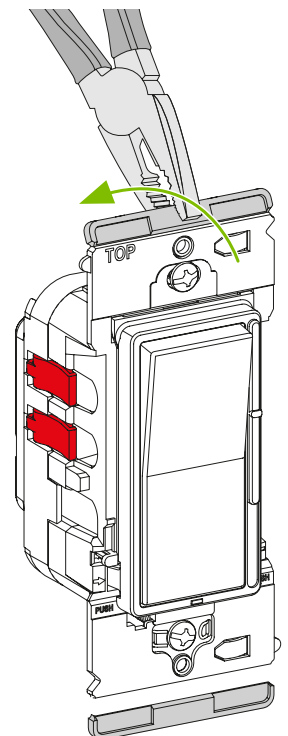
## 7. Préparation de la plaque

La bride est conçue pour les plaques de format intermédiaire. Si la plaque que vous avez l'intention d'utiliser est de format intermédiaire, vous **N'AVEZ PAS** besoin d'enlever les ailettes détachables. Si vous souhaitez utiliser une plaque de format régulier, retirez les deux ailettes détachables avant de câbler votre gradateur, comme illustré.

**REMARQUE :** Utilisez une pince pour plier les ailettes détachables d'arrière en avant pour les retirer facilement.

### DIMENSIONS DES PLAQUES DECORA

Format régulier	4,60 x 2,75 po (11,68 x 6,98 cm) ou 4,50 x 2,75 po (11,43 x 6,98 cm)
Format intermédiaire	4,88 x 3,13 po (12,39 x 7,95 cm)



## 8. Câblage unipolaire

### Identification des fils

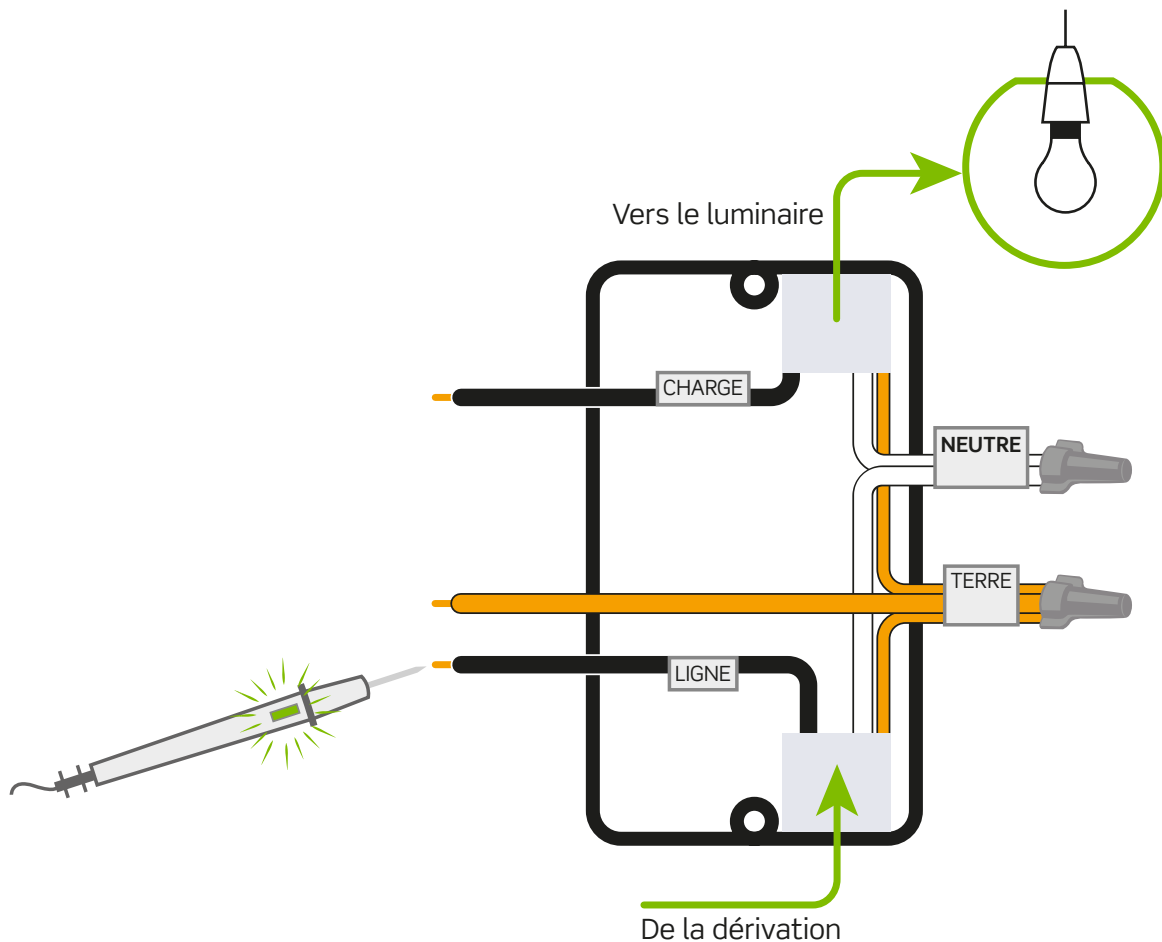
**AVERTISSEMENT : POUR ÉVITER LES RISQUES D'INCENDIE, DE CHOC ÉLECTRIQUE OU DE DÉCÈS, couper l'alimentation au disjoncteur avant de procéder.**

#### Examen de la boîte murale :

1. Retirez la plaque murale et déconnectez l'interrupteur existant.
2. Rétablissez le courant. En usant de prudence, utilisez un testeur de tension pour trouver le fil de ligne (actif).
3. Coupez l'alimentation au disjoncteur.
4. Marquez les fils de la manière illustrée ci-dessous.

#### REMARQUES :

- N'utilisez que des fils de cuivre pleins ou toronnés de calibre 12 ou 14 AWG.
- Les fils de neutre sont généralement blancs et peuvent être groupés dans un connecteur à l'arrière de la boîte murale. Les fils de neutre ne sont pas nécessaires pour cet appareil.
- Les fils de terre peuvent être verts ou en cuivre dénudé.

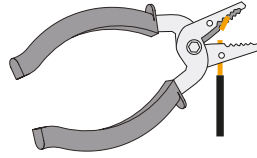


**Si votre boîte murale présente une autre configuration de fils, appelez un électricien.**

**Astuce :** Selon votre installation, un fil de terre (vert ou cuivre nu) ou un fil de ligne supplémentaire pourrait être nécessaire pour compléter les connexions. En cas de doute, faites appel à un électricien.

## Préparation des fils

1. Il est recommandé de couper les sections de fil de cuivre déjà utilisées, en veillant à ce que les extrémités soient droites.

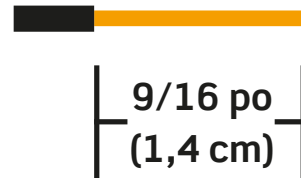
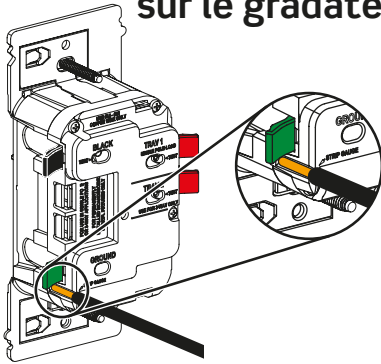


2. Dénudez chacun de ces fils comme illustré ci-dessous.

Utiliser le gabarit de dénudage moulé sur le gradateur

Utiliser le gabarit comme indiqué ci-dessous (image non à l'échelle)

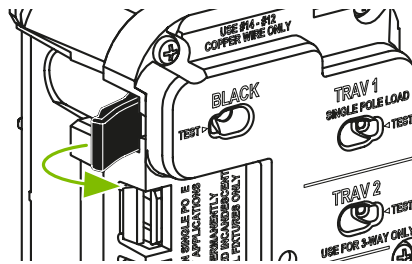
OU



## Raccordement du gradateur

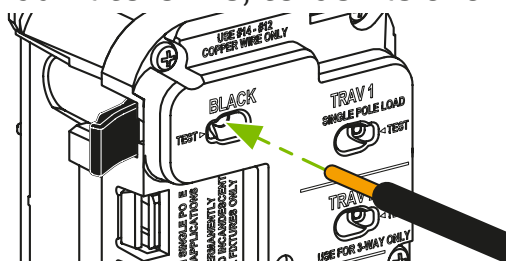
**REMARQUE :** Effectuez un raccordement à la fois.

1. Ouvrez complètement le levier.

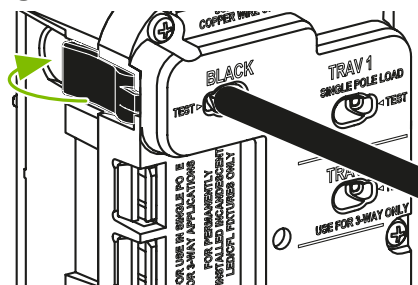


2. Insérez le fil approprié dans le trou pour fil conformément au schéma de câblage unipolaire de l'étape 4. Assurez-vous que le fil est complètement inséré et qu'aucun fil dénudé n'est exposé.

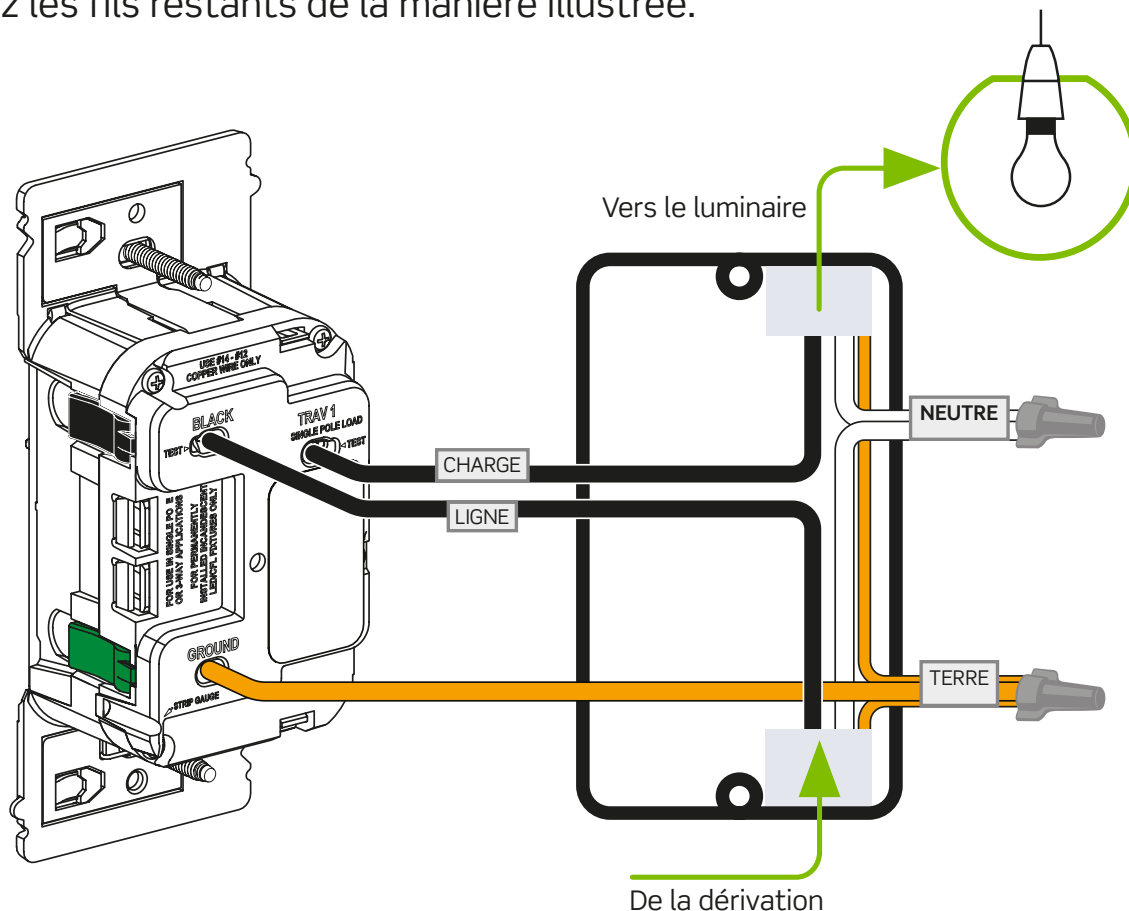
**REMARQUE :** Si vous utilisez du fil toronné, tordez-le avant de l'insérer.



3. Fermez complètement le levier.



4. Raccordez les fils restants de la manière illustrée.



**Communiquez avec un électricien ou l'équipe de soutien technique de Leviton si votre boîte murale présente une autre configuration de fils.**

## 9. Câblage à trois voies (le plus courant)

### Identification des fils

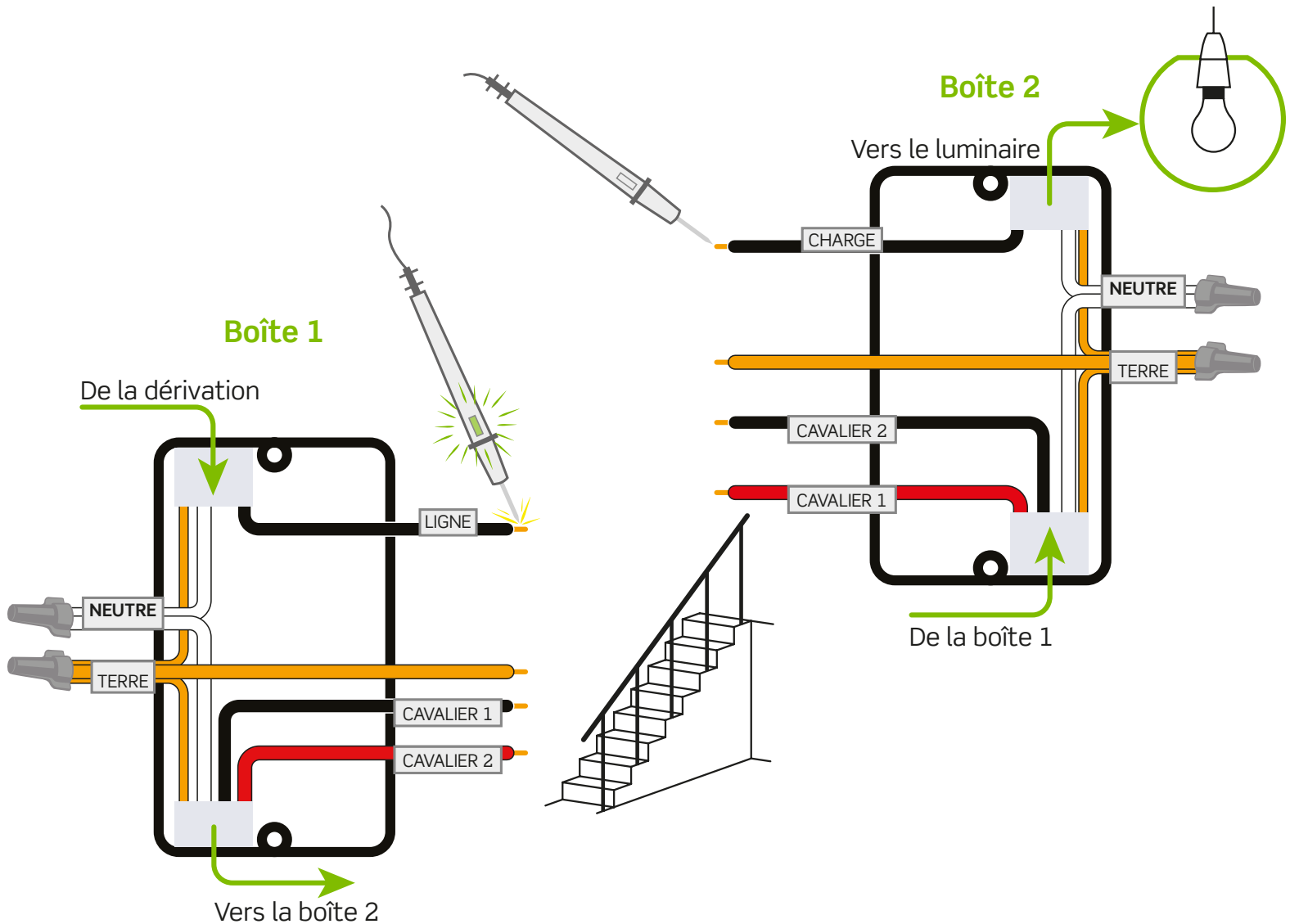
**AVERTISSEMENT : POUR ÉVITER LES RISQUES D'INCENDIE, DE CHOC ÉLECTRIQUE OU DE DÉCÈS, couper l'alimentation au disjoncteur avant de procéder.**

#### Examen de la boîte murale :

1. Retirez la plaque murale et déconnectez l'interrupteur existant.
2. Rétablissez le courant. En usant de prudence, utilisez un testeur de tension pour trouver le fil de ligne (actif).
3. Coupez l'alimentation au disjoncteur.
4. Marquez les fils de la manière illustrée ci-dessous.

## REMARQUES :

- N'utilisez que des fils de cuivre pleins ou toronnés de calibre 12 ou 14 AWG.
- Les fils de neutre sont généralement blancs et peuvent être groupés dans un connecteur à l'arrière de la boîte murale. Les fils de neutre ne sont pas nécessaires pour cet appareil.
- Les fils de terre peuvent être verts ou en cuivre dénudé.



## REMARQUES :

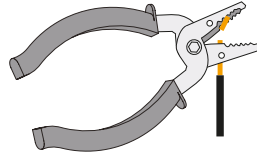
- Si vous installez le gradateur dans la boîte murale 1, utilisez le schéma de câblage pour l'installation du côté ligne d'un circuit à trois voies (voir **Installation à trois voies côté ligne**).
- Si vous installez le gradateur dans la boîte murale 2, utilisez le schéma de câblage pour l'installation du côté charge d'un circuit à trois voies (voir **Installation à trois voies côté charge**).

**Si votre boîte murale présente une autre configuration de fils, appelez un électricien.**

**Astuce :** Selon votre installation, un fil de terre (vert ou cuivre nu) ou un fil de ligne supplémentaire pourrait être nécessaire pour compléter les connexions. En cas de doute, faites appel à un électricien.

## Préparation des fils

1. Il est recommandé de couper les sections de fil de cuivre déjà utilisées, en veillant à ce que les extrémités soient droites.

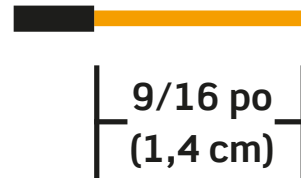
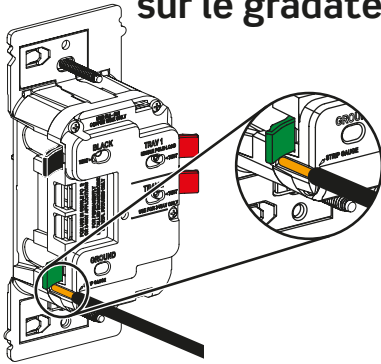


2. Dénudez chacun de ces fils comme illustré ci-dessous.

Utiliser le gabarit de dénudage moulé sur le gradateur

Utiliser le gabarit comme indiqué ci-dessous (image non à l'échelle)

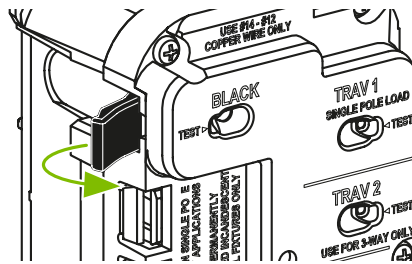
OU



## Raccordement du gradateur

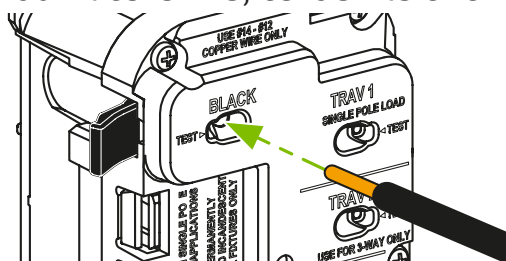
**REMARQUE :** Effectuez un raccordement à la fois.

1. Ouvrez complètement le levier.

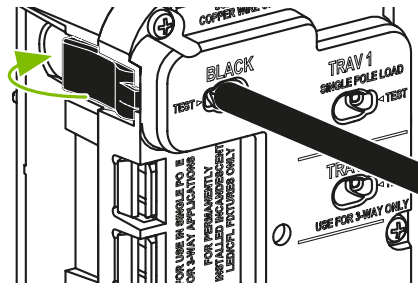


2. Insérez le fil approprié dans le trou pour fil conformément au schéma de câblage unipolaire de l'étape 4. Assurez-vous que le fil est complètement inséré et qu'aucun fil dénudé n'est exposé.

**REMARQUE :** Si vous utilisez du fil toronné, tordez-le avant de l'insérer.



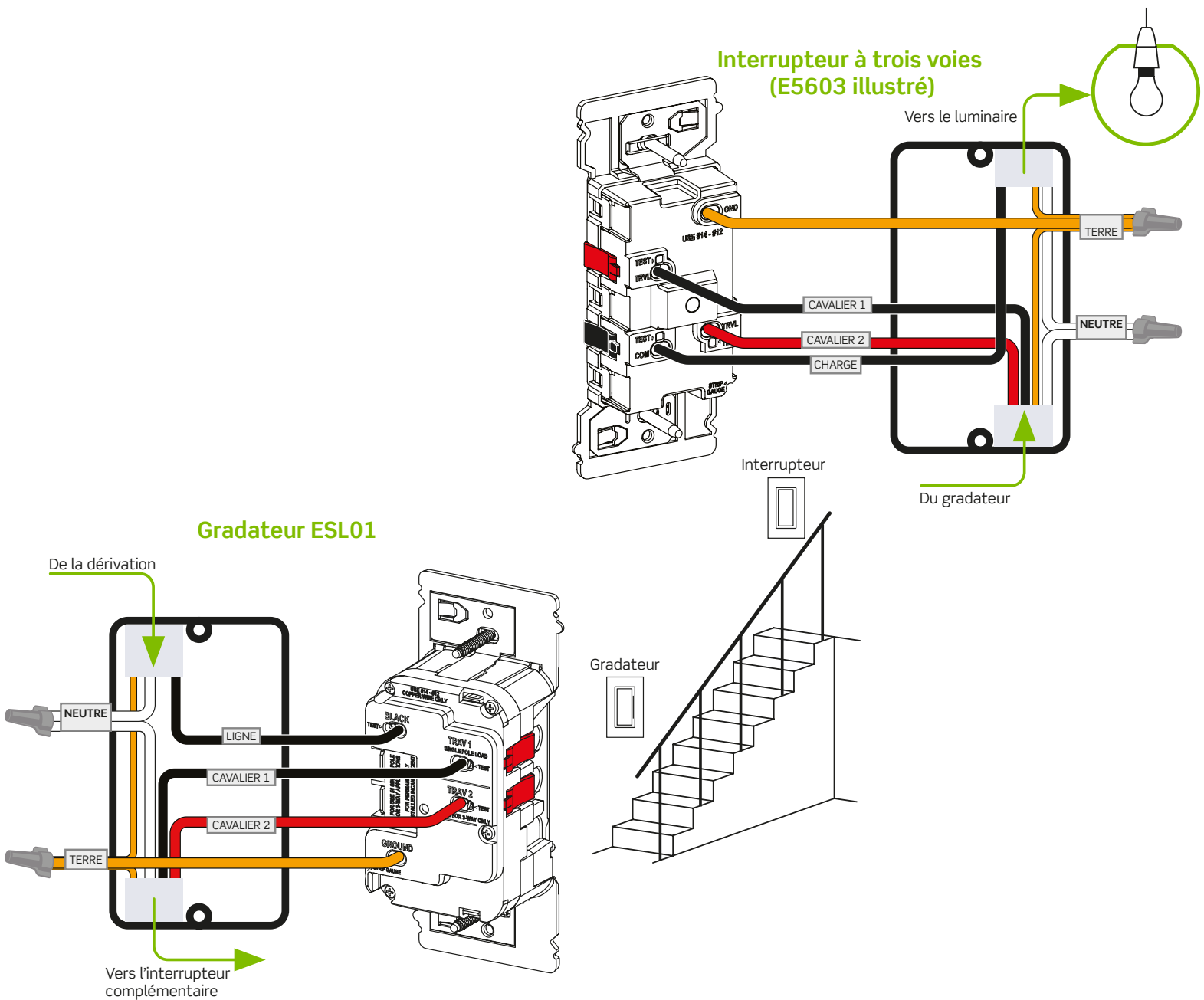
3. Fermez complètement le levier.



4. Raccordez les fils restants de la manière illustrée.

## Installation à trois voies côté ligne

Si vous installez le gradateur dans la boîte murale avec la ligne provenant du circuit de dérivation.

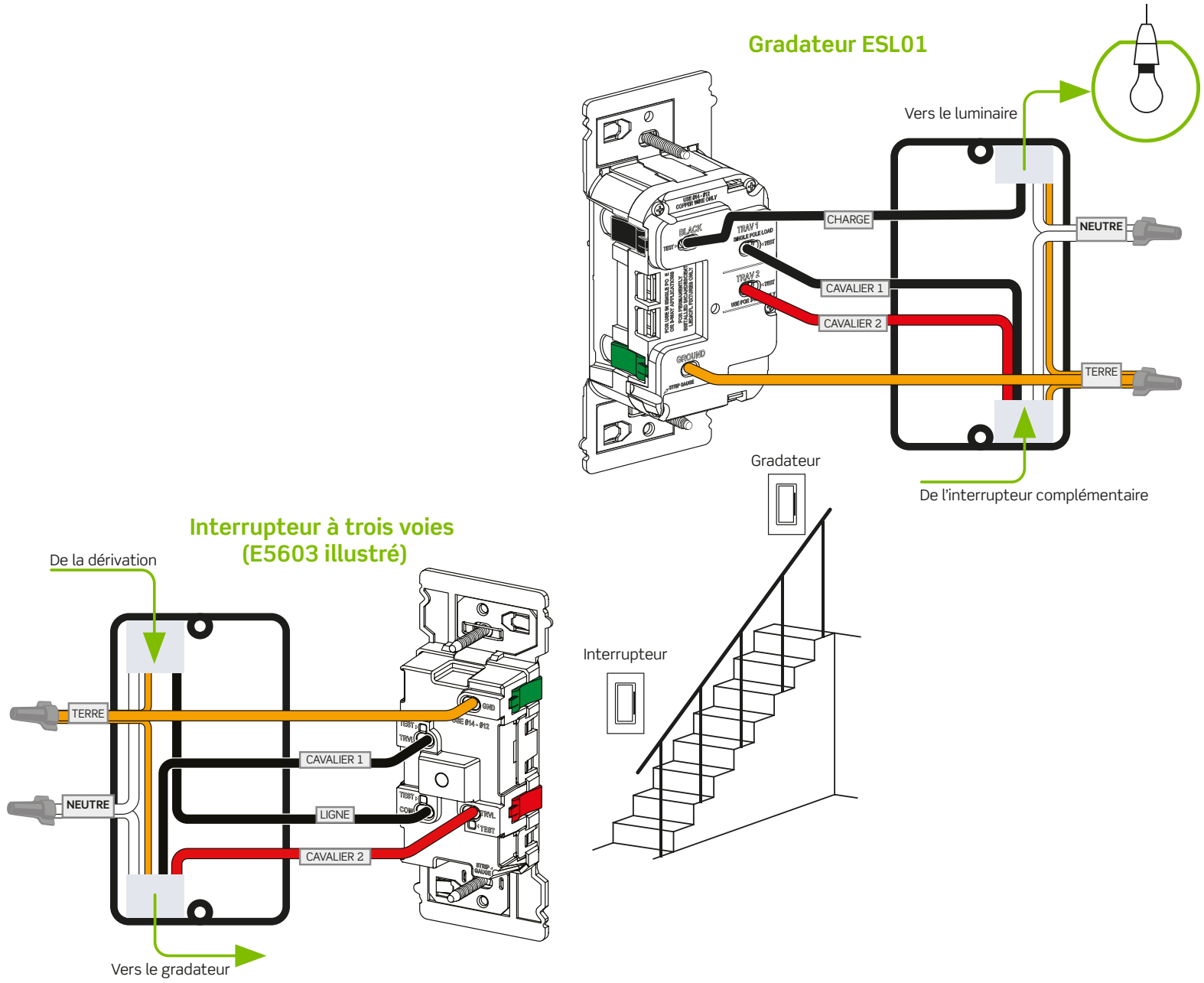


**Communiquez avec un électricien ou l'équipe de soutien technique de Leviton si votre boîte murale présente une autre configuration de fils.**



## Installation à trois voies côté charge

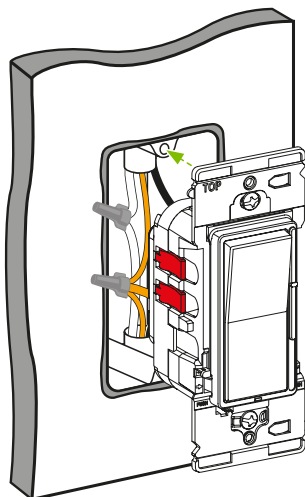
Si vous installez le gradateur dans la boîte murale avec la connexion de charge provenant des luminaires.



**Communiquez avec un électricien ou l'équipe de soutien technique de Leviton si votre boîte murale présente une autre configuration de fils.**

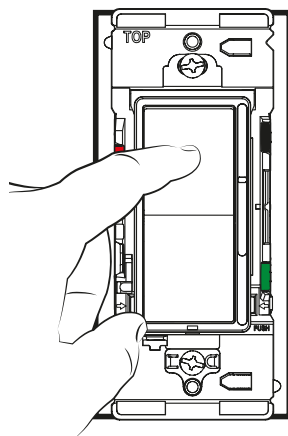
## 10. Test et fin de l'installation

1. Placez les fils dans la boîte de façon à ce qu'il y ait suffisamment d'espace pour le dispositif.
2. Serrez partiellement les vis de fixation dans les trous de la boîte murale.



3. Rétablissez le courant au disjoncteur ou du fusible.
4. Pour confirmer que le gradateur est alimenté, tenez soigneusement le gradateur et déplacez la glissière vers la position la plus haute, puis appuyez sur le haut de la bascule. Les luminaires devraient s'allumer à leur intensité maximale.

**REMARQUE :** Si les luminaires ne s'allument pas, se reporter à la section **Que faire si...**



**AVERTISSEMENT :** Coupez l'alimentation au disjoncteur avant de visser le gradateur.

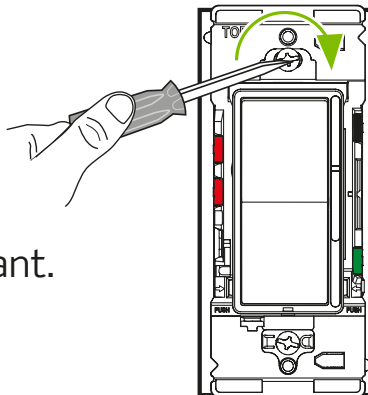
5. Passez à la section suivante pour terminer l'installation.

**En cas de doute sur le processus d'installation, consulter un électricien ou l'équipe du soutien technique de Leviton.**

## 11. Installation d'un seul dispositif

**AVERTISSEMENT :** Coupez l'alimentation au disjoncteur ou au fusible avant de serrer les vis.

1. Serrez les vis de fixation sur la boîte.



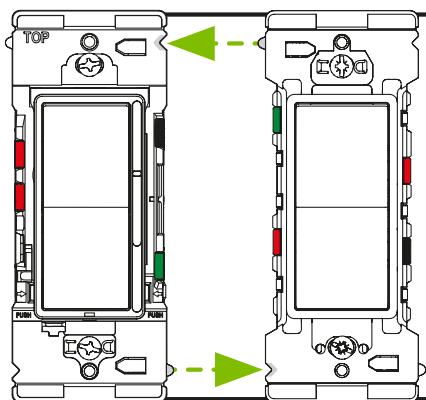
2. Installez la plaque et rétablissez le courant.

## 12. Installation groupée

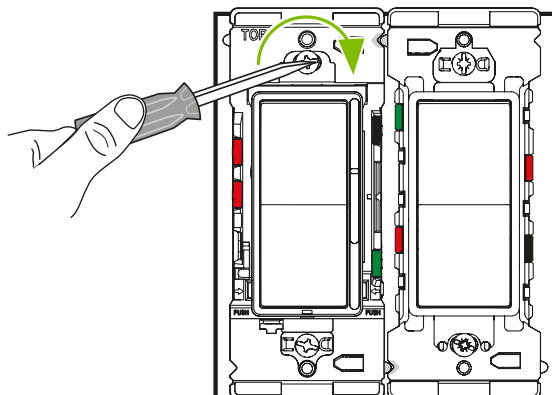
**AVERTISSEMENT :** Coupez l'alimentation au disjoncteur ou au fusible avant de serrer les vis.

**REMARQUE :** Aucune réduction des valeurs nominales n'est requise en cas d'installation groupée.

1. Pour installer l'interrupteur avec d'autres dispositifs Lever Edge, utilisez les encoches et les saillies pour les aligner dans une boîte conçue pour une installation groupée.



2. Serrez les vis de fixation sur la boîte murale.



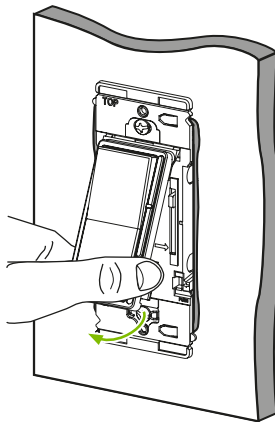
3. Installez la plaque et rétablissez le courant.

## 13. Changement de couleur du gradateur

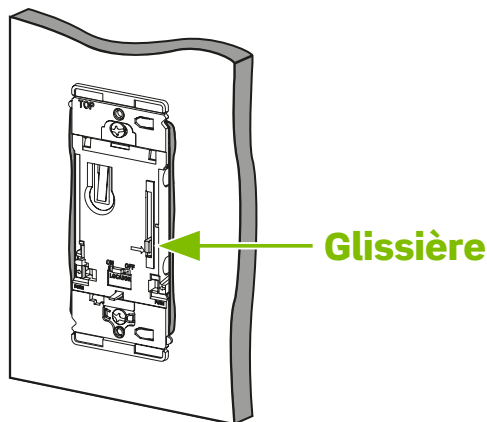
Vous pouvez facilement changer la couleur de votre gradateur en utilisant les plaques murales DSKIT offertes en sept couleurs : blanc, ivoire, amande pâle, gris, noir, brun et rouge.

Effectuez les étapes ci-dessous pour retirer la plaque et insérer une plaque d'une autre couleur.

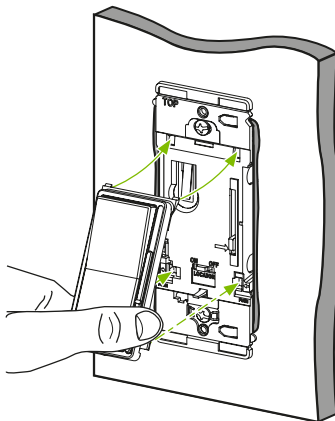
1. Serrez le bas du cadre de la bascule des deux côtés et tirez vers l'avant pour le dégager.



2. Alignez la glissière sur la flèche de la manière illustrée. Abaissez complètement la glissière du cadre de la nouvelle bascule.



3. Insérez les languettes supérieures du cadre dans les fentes du gradateur. Appuyez ensuite sur la partie inférieure du cadre jusqu'à ce qu'il s'enclipsse.

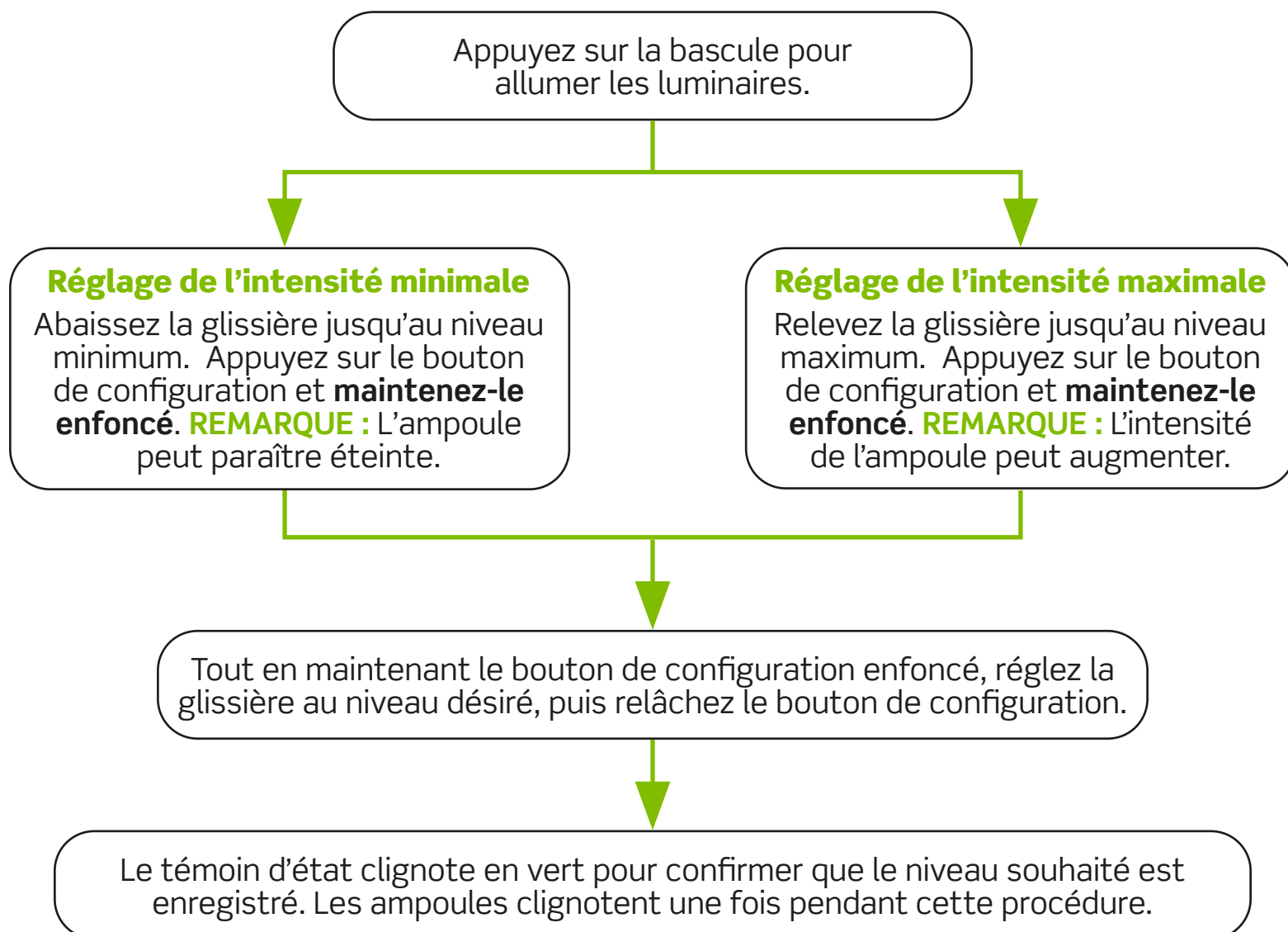


## 14. Personnalisation (facultatif)

Les paramètres du gradateur vous permettent de personnaliser votre dispositif et peuvent être réglés à l'aide du bouton de configuration.

### Intensités minimale et maximale

Il est possible d'ajuster le niveau d'intensité minimum ou maximum pour en accroître la compatibilité avec les lampes à DEL.



## Configuration de l'allumage

Appuyez sur la bascule pour allumer les luminaires.

Placez la glissière en position médiane.

Appuyez sur le bouton de configuration pour faire défiler les options ci-dessous.

Le témoin d'état clignote lentement un certain nombre de fois en fonction du réglage sélectionné. Les ampoules clignent une fois après le clignotement du témoin d'état pour confirmer la sélection, et le réglage est sauvegardé.

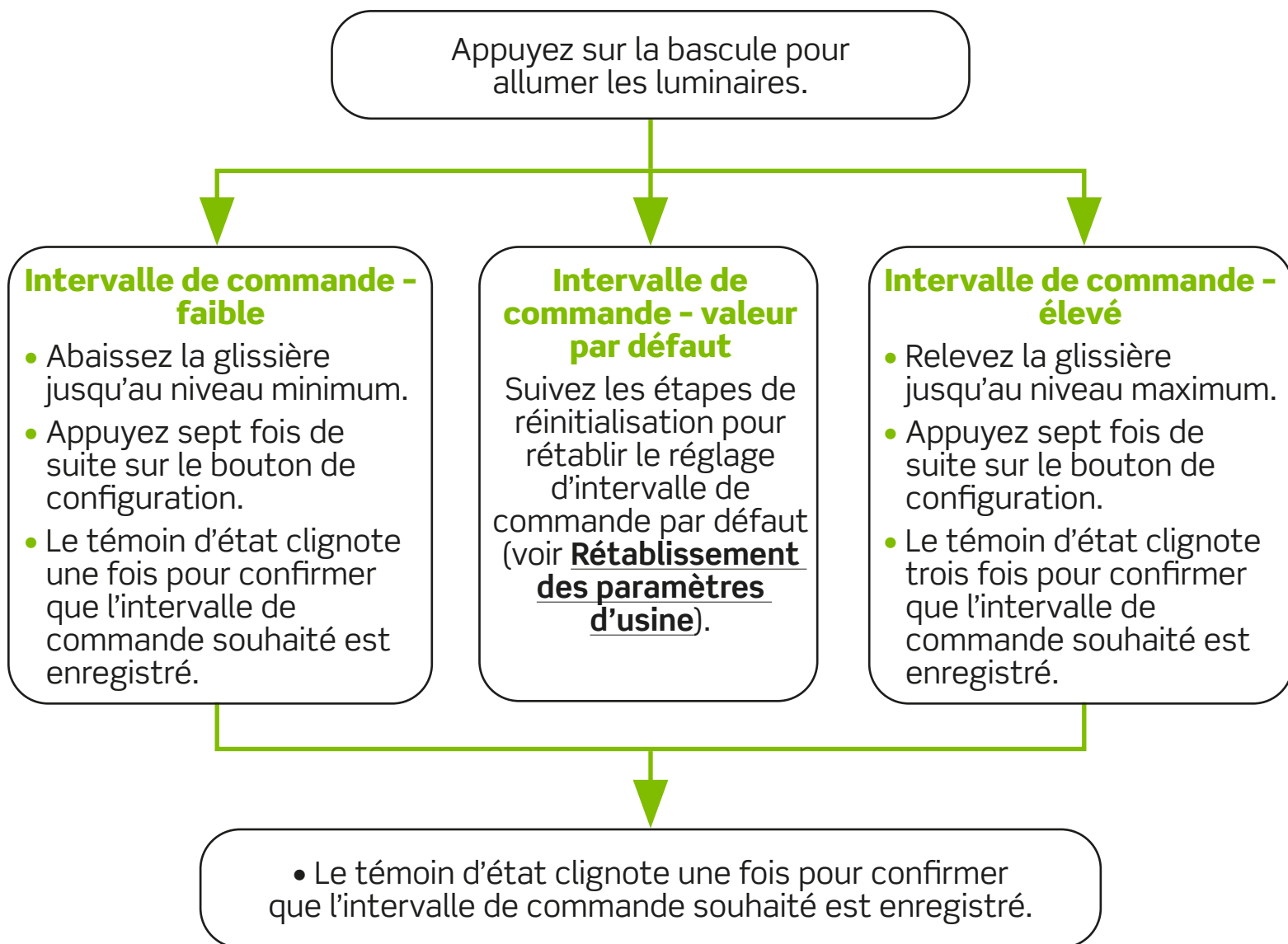
NOMBRE DE CLIGNOTEMENTS	RÉGLAGE	DESCRIPTION
1 clignotement	Allumage instantané	En appuyant sur la bascule, les lumières s'allument directement au niveau pré-réglé.
2 clignotements	Allumage graduel	En appuyant sur la bascule, les lumières s'allument graduellement jusqu'au niveau pré-réglé. <b>REMARQUE :</b> Le temps d'allumage peut varier selon l'ampoule utilisée.
3 clignotements	Allumage simultané (faible)	Règle le moment de l'allumage pour éviter que plusieurs ampoules à DEL d'un luminaire ne s'allument à des moments différents.
4 clignotements	Allumage simultané (moyen)	
5 clignotements	Allumage simultané (élevé)	

### Exemple :

- Pour sélectionner le mode d'allumage simultané (moyen), appuyez une fois sur le bouton de configuration, et le témoin d'état clignotera une fois.
- Appuyez une nouvelle fois sur le bouton de configuration, et le témoin d'état clignotera deux fois.
- Appuyez une nouvelle fois sur le bouton de configuration, et le témoin d'état clignotera trois fois.
- Le mode d'allumage simultané (moyen) est maintenant enregistré. N'oubliez pas que l'ampoule clignotera après le clignotement du témoin d'état pour confirmer la sélection.

## Intervalle de commande

Cette fonction permet d'améliorer la qualité de gradation si les lumières clignotent à certains niveaux d'éclairage ou lors du tamisage ou de l'intensification. Si vos lampes clignotent à des niveaux d'éclairage faibles, essayez d'abord d'augmenter le niveau d'intensité minimum.



## 15. Rétablissement des paramètres d'usine

1. Appuyez sur la bascule pour allumer les luminaires.
2. Placez la glissière en position médiane.
3. Appuyez sur le bouton de configuration et maintenez-le enfoncé pendant 14 secondes ou jusqu'à ce que le témoin d'état clignote rapidement en vert.
4. Relâchez le bouton de configuration. Les ampoules clignoteront une fois. Le gradateur est maintenant réinitialisé aux paramètres d'usine.

### REMARQUE :

- Dans la configuration d'usine par défaut, le gradateur répond aux exigences de la norme NEMA SSL 7A.

## 16. Que faire si...

### **La lumière ne s'allume pas :**

- Le disjoncteur s'est déclenché ou le fusible est brûlé.
- L'ampoule est brûlée.

### **À la mise sous tension, la lumière s'allume, mais le gradateur n'a aucun effet sur elle :**

- Confirmez que le gradateur est correctement câblé.

### **Les lumières ne s'allument pas immédiatement :**

- Confirmez que le gradateur est correctement câblé.

### **Le gradateur fonctionne de manière intermittente :**

- Vérifiez que la charge ne dépasse pas les valeurs nominales.

### **La lampe à DEL clignote ou ne réagit plus dans la partie inférieure de la plage de gradation :**

- Suivez les étapes de configuration du niveau de gradation minimum pour augmenter la limite inférieure de la plage de gradation jusqu'au point où l'ampoule à DEL ne clignote pas.

### **La lampe à DEL clignote ou ne réagit plus dans la partie supérieure de la plage de gradation :**

- Suivez les étapes de configuration du niveau de gradation maximum pour réduire la limite supérieure de la plage de gradation jusqu'au point où l'ampoule à DEL ne clignote pas.

### **Les lampes à DEL clignotent dans toute la plage de gradation :**

- Vérifiez que les ampoules sont marquées comme étant réglables.
- Utilisez l'outil de compatibilité des lampes à DEL de Leviton pour trouver des ampoules compatibles sur le site [www.leviton.com/led](http://www.leviton.com/led)
- Essayez d'ajuster l'intervalle de commande pour optimiser les performances.

### **La lampe à DEL reste allumée ou a une lueur résiduelle quand le gradateur est mis hors tension :**

- Désactivez le témoin de localisation (interrupteur à la position OFF).

Visitez [my.leviton.com](http://my.leviton.com) ou communiquez avec l'équipe de soutien technique pour obtenir de l'aide supplémentaire (voir [Nous sommes là pour vous aider](#)).



## 17. La sécurité avant tout

### AVERTISSEMENTS :

- **POUR ÉVITER LES RISQUES D'INCENDIE, DE CHOC ÉLECTRIQUE OU DE DÉCÈS, COUPER LE COURANT** au disjoncteur ou au fusible et s'assurer que le circuit est hors tension avant de procéder à l'installation!
- Le produit décrit aux présentes doit être installé et utilisé conformément aux codes de l'électricité et aux règlements en matière d'électricité.
- À défaut de bien comprendre les présentes directives, en tout ou en partie, on doit faire appel à un électricien.

### MISES EN GARDE :

- N'utiliser ce dispositif qu'avec des lampes fluocompactes (LFC), à diodes électroluminescentes (DEL), à incandescence ou à halogène réglables de 120 V.
- Le produit décrit aux présentes ne peut être utilisé qu'avec des fils de cuivre pleins ou toronnés.
- Si le gradateur commande plusieurs lampes, elles DOIVENT toutes être du même type. Toutes les lampes doivent être du même type, soit toutes fluocompactes, à DEL ou à incandescence. L'emploi de lampes de mêmes marque et modèle rehaussera en outre sa performance.
- N'utiliser qu'un seul gradateur par circuit à trois voies. Le ou les interrupteurs commuteront l'éclairage à l'intensité choisie au moyen du gradateur.
- Pour éviter la surchauffe ou l'endommagement éventuel du produit décrit aux présentes et des appareils qui lui sont raccordés, NE PAS l'installer pour commander une prise, un appareil motorisé ou à transformateur ou toute autre source d'éclairage que celles mentionnées.
- Pour éviter d'endommager les produits décrits aux présentes, NE PAS se servir d'agents désinfectants atomisés en pulvérisateur, en vaporisateur ou autre. NE PAS vaporiser de liquide sur ces produits. Utiliser un chiffon humide avec du savon doux pour le nettoyage et bien sécher. Ne PAS utiliser un chiffon mouillé pour nettoyer l'arrière d'un module.

## 18. Garantie limitée d'un an et exclusions de recours

Pour consulter la garantie limitée sur les produits offerts par Leviton, on peut se rendre sur [www.leviton.com](http://www.leviton.com). Pour en obtenir une version imprimée, il suffit de composer le 1 800 824-3005.

### CANADA SEULEMENT

Pour obtenir des renseignements sur les garanties ou les retours de produits, les résidents canadiens peuvent écrire à la Manufacture Leviton du Canada S.R.L., a/s du service de l'Assurance qualité, 165, boul. Hymus, Pointe-Claire (Québec), Canada, H9R 1E9, ou encore composer le 1 800 405-5320.

### DÉCLARATION DE CONFORMITÉ AUX EXIGENCES DE LA FCC

Les produits décrits aux présentes ont fait l'objet de tests et ont été jugés conformes aux normes en matière de dispositifs numériques de classe B, en vertu de la partie 15 des règlements de la FCC. Ces normes ont été élaborées dans le but d'assurer une protection raisonnable contre le brouillage préjudiciable quand l'équipement est utilisé en milieu résidentiel. Ces produits génèrent, utilisent et peuvent irradier de l'énergie haute fréquence; s'ils ne sont pas installés et utilisés conformément aux directives, ils peuvent aussi engendrer des perturbations susceptibles de brouiller les radiocommunications. Il est cependant impossible de garantir l'absence de telles perturbations dans une installation donnée. Si ces produits sont des sources de parasites au niveau des récepteurs radio ou des téléviseurs, ce qu'on peut déterminer en les mettant sous et hors tension, on recommande à l'utilisateur de rectifier la situation en adoptant une ou plusieurs des mesures suivantes :

- réorienter ou déplacer l'antenne réceptrice;
- augmenter la distance entre l'équipement et le récepteur;
- brancher l'équipement à une prise sur un circuit autre que celui où est branché le récepteur;
- consulter le détaillant ou un technicien expérimenté en matière de radios ou de téléviseurs.

### MISE EN GARDE DE LA FCC

Toute modification apportée sans l'autorisation expresse de Leviton Manufacturing Co., Inc. pourrait avoir pour effet d'annuler les droits d'utilisation des produits décrits aux présentes.

### DÉCLARATION DE CONFORMITÉ DU FABRICANT AUX EXIGENCES DE LA FCC

Le modèle ESL01 est vendu par Leviton Manufacturing Co., Inc., 201 N. Service Rd., Melville, NY, 11747. [www.leviton.com](http://www.leviton.com)

Cet appareil est conforme à la partie 15 des règlements de la FCC. Son utilisation est soumise aux deux conditions suivantes : (1) Cet appareil ne doit causer aucun brouillage préjudiciable et (2) il ne doit pas être affecté par les interférences d'autres dispositifs susceptibles notamment d'en perturber le fonctionnement.

### DÉCLARATION DE CONFORMITÉ AUX EXIGENCES DE L'ISDE

Le produit décrit aux présentes est conforme aux CNR de l'ISDE applicables aux appareils radio exempts de licence. Son utilisation est soumise aux deux conditions suivantes : (1) il ne doit causer aucun brouillage et (2) il ne doit pas être affecté par les interférences d'autres dispositifs susceptibles notamment d'en perturber le fonctionnement.

### RENSEIGNEMENTS RELATIFS AUX MARQUES DE COMMERCE ET AUX DROITS D'AUTEUR

Decora et Lever Edge sont des marques déposées de Leviton Manufacturing Co. Inc.; Decora est une marque déposée aux États-Unis, au Canada, au Mexique et en Chine.

L'utilisation ici d'autres marques de commerce ou de service, d'appellations commerciales ou encore de noms de produits d'entreprises tierces n'est qu'à titre informatif; leur intégration aux présentes ne saurait être interprétée comme un témoignage d'affiliation, de parrainage ou d'appui envers leurs propriétaires respectifs. Aucune partie du présent document ne peut être reproduite, transmise ou transcrite sans une autorisation expresse écrite par Leviton Manufacturing Co., Inc.

Leviton Manufacturing Co., Inc.

201 North Service Road, Melville, NY 11747

© Leviton Manufacturing Co., Inc., 2025. Tous droits réservés.

Caractéristiques sous réserve de modifications sans préavis.

